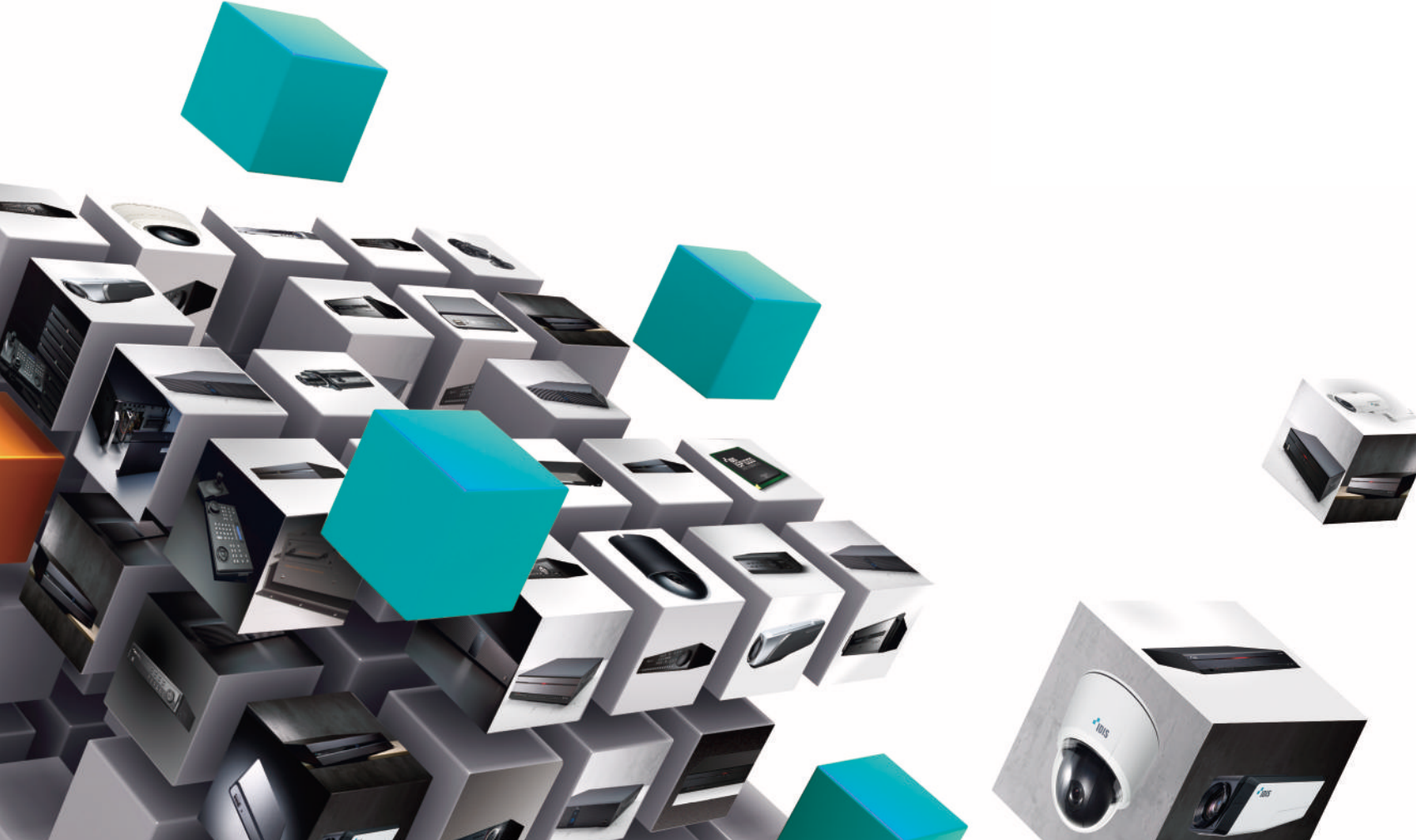


Excellence in Surveillance

TOTAL CATALOGUE

Powered by **Direct IP™**



Excellence in Surveillance

Contents



NETWORK VIDEO RECORDERS

NVR	DR-2104P	11
	DR-2108P	12
	DR-2116P	13
	DR-4108	14
	DR-4108P	15
	DR-4116	16
	DR-4116P	17
	DR-4132	18
	DR-4132P	19
	DR-6108	20
	DR-6108P	21
	DR-6116	22
	DR-6116P	23
	DR-6132	24
	DR-6132P	25

NETWORK CAMERAS

BOX	DC-B1001	30
	DC-B1101	31
	DC-B1103	32
	DC-B1203	33
DOME	DC-D1011	34
	DC-D1022W	35
	DC-D1022WR	36
	DC-D1111	37
	DC-D1122	38
	DC-D1122R	39
	DC-D1122V	40
	DC-D1122VR	41
	DC-D1122W	42
	DC-D1122WR	43
	DC-D1123	44
	DC-D1123R	45
	DC-D1123V	46
	DC-D1123VR	47
	DC-D1123W	48
	DC-D1123WR	49
	DC-D1123WHR	50
	DC-D1212R	51
	DC-D1223	52
	DC-D1223R	53
	DC-D1223V	54
	DC-D1223VR	55
	DC-D1223W	56
	DC-D1223WR	57
	DC-D1223WHR	58
	DC-F1211	59
BULLET	DC-T1232WR	60
	DC-T1233WHR	61
	DC-T1234WR	62
	DC-E1212WR	63
SPEED DOME	DC-S1263W	64
	DC-S1263WH	65
ZOOM	DC-Z1163	66
	DC-Z1263	67



NETWORK SOFTWARE

IDIS SOLUTION SUITE	68
IDIS CLIENT / CENTER	70
IDIS CLIENT / WEB / MOBILE	71

CAMERA MOUNT

WALL MOUNT	DA-WM1100	78
	DA-WM1200	
	DA-WM1300	
	DA-WM1400	
	DA-WM1500	
POLE MOUNT	DA-LM1100	
	DA-RM1100	
CORNER MOUNT	DA-CM1100	79
CEILING MOUNT	DA-CM1200	
	DA-CM1300	
	DA-CM1400	
PARAPET MOUNT	DA-PM1100	
STAND MOUNT	DA-SM1100	
BOX HOUSING	DA-BH1100	

NETWORK ACCESSORIES

ACC	DE-1104	73
	DE-1108	
	DH-2112PF	74
	DH-2128PF	
	NK-1100	75
	DA-ES1104	
	DA-PI1101	76
	DA-EC1100	
	DA-MC1101	77
	FTLF1318P3BTL	
FTLF8519P3BNL		

APPLICATIONS

SMALL BUSINESS INSTALLATION	80
MEDIUM BUSINESS INSTALLATION	
LARGE BUSINESS INSTALLATION	
DR-6100 SERIES	81
NVR CONNECTION DIAGRAM	
DirectIP LINEUP	



The Vision to Excel

IDIS is an established global security solutions company which designs, develops, manufactures and markets security surveillance solutions. Since 1997 we have grown to become the world's No.1 DVR manufacturer with an annual turnover of \$140 million with more than 1.7 million DVRs installed through our global top tier partners.

Our aim is to be the world's leading provider and partner of choice for surveillance solutions that protect people, property and assets through innovation and cost-effective technology coupled with unrivalled performance, quality and functionality.





THE CORE STRENGTH AND VALUES OF THE COMPANY ARE:

Innovation



IDIS is a pioneer in the video surveillance market. Our history demonstrates our ability to turn innovation into practical applications. We are at the very frontier of industry technology. IDIS has developed over 100 different products to date and has 50 core patented technologies.

Credibility



IDIS is a recognised expert in the security industry, and we have quickly established ourselves as world-class solution provider. We are proud to be at the forefront of the industry. Our growth ambitions remain on track underpinned by our significant resources and financial stability.

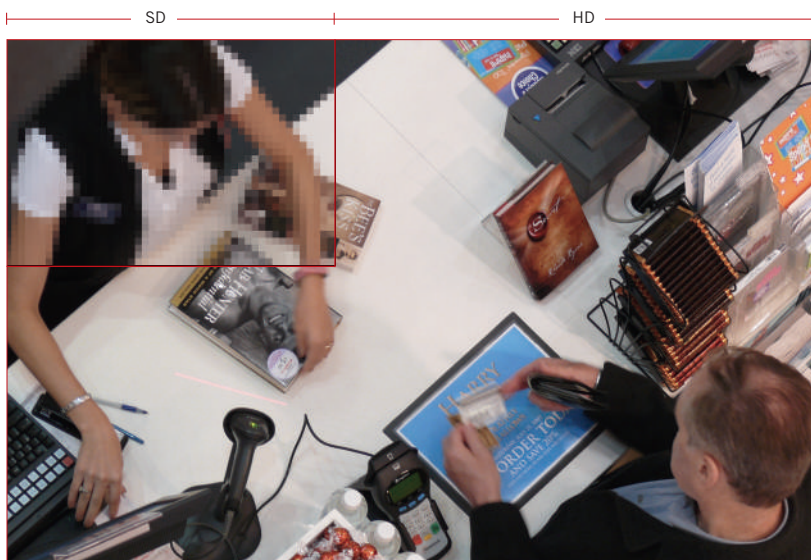
Sustainable growth



At IDIS we have built a reputation of trust with partners, suppliers and customers. Since the company was established, IDIS has built strong and proactive relationships. We value the contribution of our staff, suppliers, partners, direct customers and even competitors in shaping the future of the security industry.

Direct IP™

Increasing demand for HD surveillance



In the past there has been market reluctance to adapt to IP-based surveillance systems, often because they are perceived as being more complicated than conventional analogue solutions.

The analogue surveillance market has been developed to embrace digital video technology over a number of years primarily by using analogue cameras, supported by digital video recorders (DVRs). However, the demand for HD resolution continues to grow and is quickly becoming the norm for many security-conscious businesses.

IP based security systems provide higher image quality than DVRs, as a network video recorder (NVR) does not need to compress incoming video sources (as this is supplied by the cameras). However this function alone will not fulfill the end users' expectation.

Challenges of affordability, performance, integration and compatibility are inherent to the market place, with many traditional IP based security systems being very complex to install, especially when communicating with multiple sensors, audio devices and ATM/POS devices.

DirectIP™
relieves those complexities



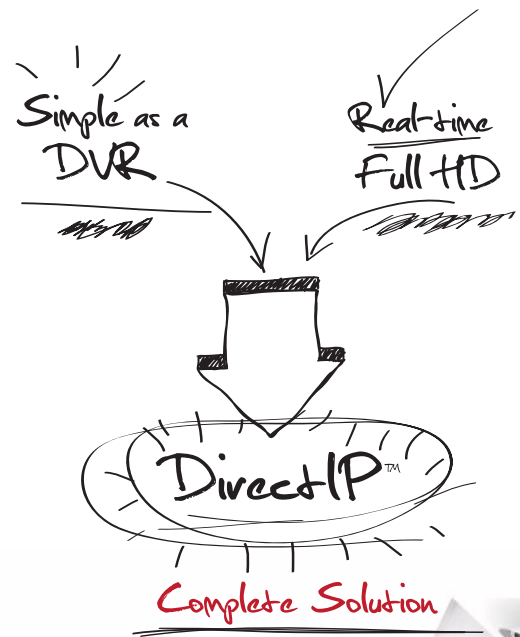
The simple and the most complete

HD surveillance solution

Direct IP™ IDIS is a company that has been primarily responsible for the innovation of DVRs since 1997 and now IDIS is proud to introduce the next generation of HD surveillance solutions called DirectIP™ solutions. Unique to the industry, DirectIP™ is the easiest and the most complete HD surveillance solution available to the security market.

The primary goal of DirectIP™ technology is to provide customers with an HD surveillance solution which is easy to use, simple to install and quick to configure through 'plug-and-play' capability. DirectIP™ consists of IP cameras, NVRs and VMS software, all designed to be optimised within a network.

DirectIP™ allows real-time monitoring without any degradation of image quality whilst simultaneously recording within networks. DirectIP™ is exclusive to the industry and ensures genuine compatibility, integration and functionality as a complete one stop shop solution.



NETWORK VIDEO RECORDERS





High performance and reliability

simply the best performance for your IP surveillance

Full mega-pixel IP camera support with efficient data processing and a high hardware specification ensure a smoother operation that guarantees the best performance of your IP solution. With DirectIP™ NVRs the hardware is fully optimised for the stable performance of network devices, so you can realise a real-time live viewing and real-time recording network surveillance solution. DirectIP™ NVRs allow simultaneous functionality and operation including live-view, record, playback, remote access and backup of compressed audio and video.

NETWORK VIDEO RECORDERS

NVR SELECTION

MODEL	Max. Throughput		Camera Input	Network Port		Max. HDD		Serial Interface	Camera Power
	Recording	Live		Remote	Video in	Internal SATA	eSATA		
DR-2104P 	32Mbps 120ips@HD	4CH Real-Time Live	4CH IP	1	4	2	-	RS232	4CH
DR-2108P 	64Mbps 240ips@HD	8CH Real-Time Live	8CH IP	1	8	2	-	RS232	8CH
DR-2116P 	64Mbps 240ips@HD	16CH Real-Time Live	16CH IP	1	9	2	-	RS232	8CH
DR-4108 	70Mbps 240ips@HD	8CH Real-Time Live	8CH IP	1	8	4	-	RS232 RS485	-
DR-4108P 	70Mbps 240ips@HD	8CH Real-Time Live	8CH IP	1	9	4	-	RS232 RS485	8CH
DR-4116 	130Mbps 480ips@HD	16CH Real-Time Live	16CH IP	1	8	4	-	RS232 RS485	-
DR-4116P 	130Mbps 480ips@HD	16CH Real-Time Live	16CH IP	1	9	4	-	RS232 RS485	8CH
DR-4132 	130Mbps 480ips@HD	16CH Real-Time Live	32CH IP	1	8	4	-	RS232 RS485	-
DR-4132P 	130Mbps 480ips@HD	16CH Real-Time Live	32CH IP	1	9	4	-	RS232 RS485	8CH
DR-6108 	100Mbps 240ips@FULL HD	8CH Real-Time Live	8CH IP	1	8	6	-	RS232 RS485	-
DR-6108P 	100Mbps 240ips@FULL HD	8CH Real-Time Live	8CH IP	1	9	6	-	RS232 RS485	8CH
DR-6116 	200Mbps 480ips@FULL HD	16CH Real-Time Live	16CH IP	1	8	6	-	RS232 RS485	-
DR-6116P 	200Mbps 480ips@FULL HD	16CH Real-Time Live	16CH IP	1	9	6	-	RS232 RS485	8CH
DR-6132 	200Mbps 480ips@FULL HD	16CH Real-Time Live	32CH IP	1	8	6	-	RS232 RS485	-
DR-6132P 	200Mbps 480ips@FULL HD	16CH Real-Time Live	32CH IP	1	9	6	-	RS232 RS485	8CH

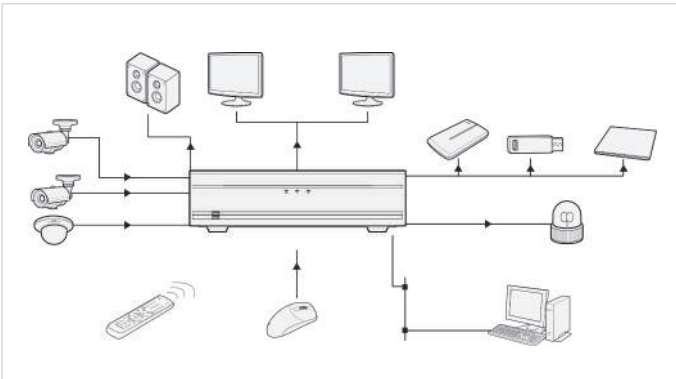
DR-2104P



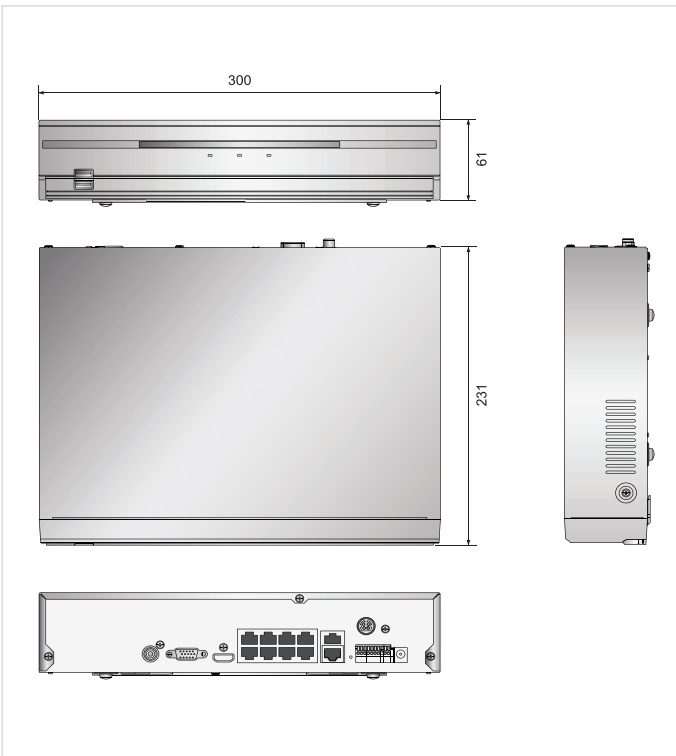
KEY FEATURES

- 4 Channel HD real-time recording
- 4 Channel real-time live display
- Easy to install, set-up and play with DirectIP™ cameras
- Built-in 4 Channel PoE Switch
- Expandable up to 6TB
- Supports one click network configuration through FEN Service
- Supports third party cameras (Axis, Panasonic, ONVIF™)

CONNECTION DIAGRAM



DIMENSIONS



SPECIFICATIONS

VIDEO	
Video Inputs	4 IP cameras
Supports Camera	DirectIP™, Axis, Panasonic, ONVIF™
Video Outputs	1 HDMI, 1 VGA OUT
Display Resolutions	1920 x 1080, 1680 x 1050
Display Speed	4 Channel real-time live
Digital Zoom	x2, x3, x4
RECORDING	
Max. Throughput	32Mbps, 120ips@HD
Recording Resolutions	1920x1080, 1280x720, 704x480, 352x240 (Depending on IP Camera)
Compression	H.264
Recording Modes	Time-lapse, Event, Pre-event, Panic
Trigger Events	Alarm in, Audio detection, Motion detection, Trip-zone Tampering, Video loss
PLAYBACK	
Performance	4 Channel HD synchronous playback
Search Modes	Time-lapse, Event log, Motion, Text-in
Digital Zoom	x2
STORAGE	
HDD	SATA x2 (Up to 3TB capacity for each disk)
Total Capacity	6TB=3TB x 2 (Internal)
NETWORK	
Connection	Gigabit Ethernet (Remote) x1 + Fast Ethernet (IP Camera) x4
Camera Power	PoE (IEEE 802.3af) 4 ports
Remote Data Export	IDIS player, AVI, JPG
Event Notification	Email (Attach MP4), Callback to Remote S/W Push Notification (iOS, Android), SNS (Twitter)
Two-way Audio	IDIS Center ~ DC Series IDIS Center ~ DR-2104P, DR-2104P ~ DC Series
Client Viewer	IDIS Center, IDIS Mobile, IDIS Web
INTERFACE	
Audio In / Out	Local (NVR) : - / 1RCA + 1HDMI IP Camera : 4 (Depending on IP Camera)
Alarm In / Out	Local (NVR) : 4 / 1 IP Camera : 4 (Depending on IP Camera)
Serial Interface	RS232 (Terminal block)
USB	USB 2.0 x 2
User Interface	Mouse, IR remote control, Network remote keyboard
GENERAL	
Operating System	Embedded Linux
UNIT Dimensions (W x H x D)	300mm x 61mm x 231mm
Unit Weight	2.3 kg
Shipping Dimensions (W x H x D)	360mm x 113mm x 390mm
Shipping Weight	3.7 kg
Working Temperature	5°C ~ 40°C
Operating Humidity	0% ~ 90%
Input Power	DC 12V 2.0A (For NVR), DC48V 1.4A (For PSE)
Power Consumption	Max. 25W (For NVR), Max. 65W (For PSE)
Approvals	FCC, CE, KC

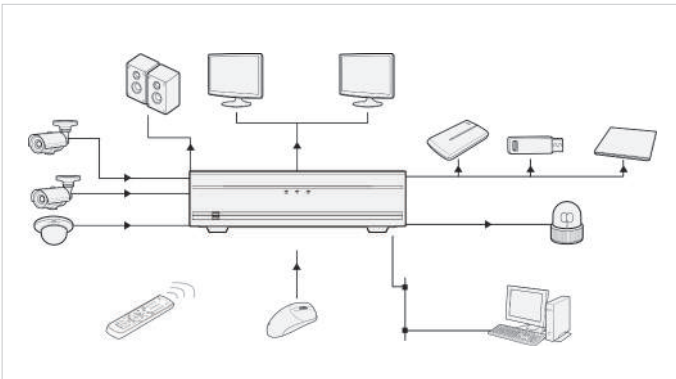
DR-2108P



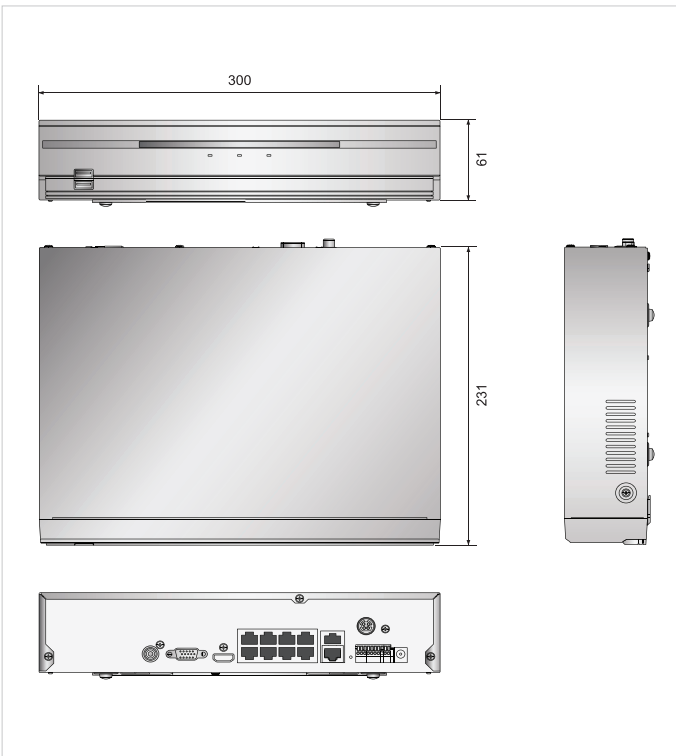
KEY FEATURES

- 8 Channel HD real-time recording
- 8 Channel real-time live display
- Easy to install, set-up and play with DirectIP™ cameras
- Built-in 8 Channel PoE Switch
- Expandable up to 6TB
- Supports one click network configuration through FEN Service
- Supports third party cameras (Axis, Panasonic, ONVIF™)

CONNECTION DIAGRAM



DIMENSIONS



SPECIFICATIONS

VIDEO	
Video Inputs	8 IP cameras
Supports Camera	DirectIP™, Axis, Panasonic, ONVIF™
Video Outputs	1 HDMI, 1 VGA OUT
Display Resolutions	1920 x 1080, 1680 x 1050
Display Speed	8 Channel real-time live
Digital Zoom	x2, x3, x4
RECORDING	
Max. Throughput	64Mbps, 240ips@HD
Recording Resolutions	1920x1080, 1280x720, 704x480, 352x240 (Depending on IP Camera)
Compression	H.264
Recording Modes	Time-lapse, Event, Pre-event, Panic
Trigger Events	Alarm in, Audio detection, Motion detection, Trip-zone Tampering, Video loss
PLAYBACK	
Performance	4 Channel HD synchronous playback
Search Modes	Time-lapse, Event log, Motion, Text-in
Digital Zoom	x2
STORAGE	
HDD	SATA x2 (Up to 3TB capacity for each disk)
Total Capacity	6TB=3TB x 2 (Internal)
NETWORK	
Connection	Gigabit Ethernet (Remote) x1 + Gigabit Ethernet (IP Camera) x 8
Camera Power	PoE (IEEE 802.3af) 8 ports
Remote Data Export	IDIS player, AVI, JPG
Event Notification	Email (Attach MP4, IDIS player), Callback to Remote S/W Push Notification (iOS, Android), SNS (Twitter)
Two-way Audio	IDIS Center ~ DC Series IDIS Center ~ DR-2108P, DR-2108P ~ DC Series
Client Viewer	IDIS Center, IDIS Mobile, IDIS Web
INTERFACE	
Audio In / Out	Local (NVR) : - / 1RCA + 1HDMI IP Camera : 8 (Depending on IP Camera)
Alarm In / Out	Local (NVR) : 4 / 1 IP Camera : 8 (Depending on IP Camera)
Serial Interface	RS232 (Terminal block)
USB	USB 2.0 x 2
User Interface	Mouse, IR remote control, Network remote keyboard
GENERAL	
Operating System	Embedded Linux
UNIT (W x H x D)	300mm x 61mm x 231mm
Unit Weight	2.3 kg
Shipping Dimensions (W x H x D)	360mm x 113mm x 390mm
Shipping Weight	3.7 kg
Working Temperature	5°C ~ 40°C
Operating Humidity	0% ~ 90%
Input Power	DC 12V 2.0A (For NVR), DC48V 1.4A (For PSE)
Power Consumption	Max. 25W (For NVR), Max. 65W (For PSE)
Approvals	FCC, CE, KC

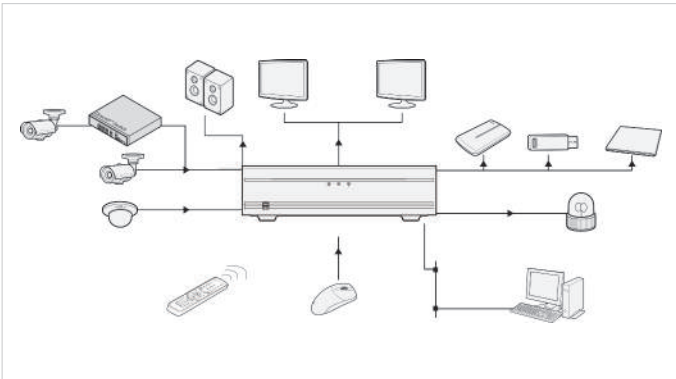
DR-2116P



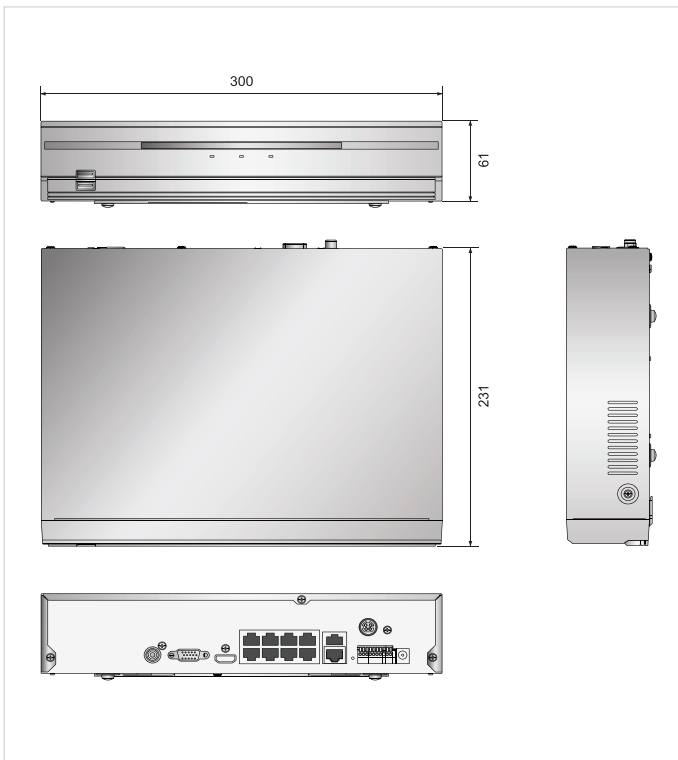
KEY FEATURES

- 8 Channel HD real-time recording
- 16 Channel real-time live display
- Easy to install, set-up and play with DirectIP™ cameras
- Built-in 8 Channel PoE Switch and expandable up to 16 Channel using DirectIP™ Gigabit PoE Switch
- Expandable up to 6TB
- Supports one click network configuration through FEN Service
- Supports third party cameras (Axis, Panasonic, ONVIF™)

CONNECTION DIAGRAM



DIMENSIONS



SPECIFICATIONS

VIDEO	
Video Inputs	16 IP cameras
Supports Camera	DirectIP™, Axis, Panasonic, ONVIF™
Video Outputs	1 HDMI, 1 VGA OUT
Display Resolutions	1920 x 1080, 1680 x 1050
Display Speed	16 Channel real-time live
Digital Zoom	x2, x3, x4
RECORDING	
Max. Throughput	64Mbps, 240ips@HD
Recording Resolutions	1920x1080, 1280x720, 704x480, 352x240 (Depending on IP Camera)
Compression	H.264
Recording Modes	Time-lapse, Event, Pre-event, Panic
Trigger Events	Alarm in, Audio detection, Motion detection, Trip-zone, Tampering, Video loss
PLAYBACK	
Performance	4 Channel HD synchronous playback
Search Modes	Time-lapse, Event log, Motion, Text-in
Digital Zoom	x2
STORAGE	
HDD	SATA x2 (Up to 3TB capacity for each disk)
Total Capacity	6TB=3TB x 2 (Internal)
NETWORK	
Connection	Gigabit Ethernet (Remote) x1 + Gigabit Ethernet (IP Camera) x 9
Camera Power	PoE (IEEE 802.3af) 8 ports
Remote Data Export	IDIS player, AVI, JPG
Event Notification	Email (Attach MP4), Callback to Remote S/W, Push Notification (iOS, Android), SNS (Twitter)
Two-way Audio	IDIS Center ~ DC Series, IDIS Center ~ DR-2116P, DR-2116P ~ DC Series
Client Viewer	IDIS Center, IDIS Mobile, IDIS Web
INTERFACE	
Audio In / Out	Local (NVR) : - / 1RCA + 1HDMI, IP Camera : 16 (Depending on IP Camera)
Alarm In / Out	Local (NVR) : 4 / 1, IP Camera : 16 (Depending on IP Camera)
Serial Interface	RS232 (Terminal block)
USB	USB 2.0 x 2
User Interface	Mouse, IR remote control, Network remote keyboard
GENERAL	
Operating System	Embedded Linux
UNIT Dimensions (W x H x D)	300mm x 61mm x 231mm
Unit Weight	2.3 kg
Shipping Dimensions (W x H x D)	360mm x 113mm x 390mm
Shipping Weight	3.7 kg
Working Temperature	5°C ~ 40°C
Operating Humidity	0% ~ 90%
Input Power	DC 12V 2.0A (For NVR), DC48V 1.4A (For PSE)
Power Consumption	Max. 25W (For NVR), Max. 65W (For PSE)
Approvals	FCC, CE, KC

Optional Accessories



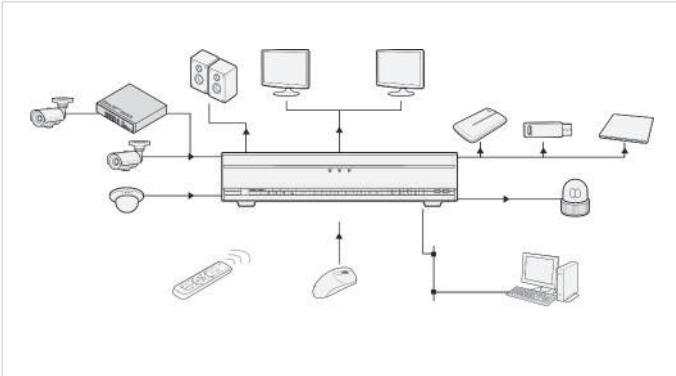
DR-4108



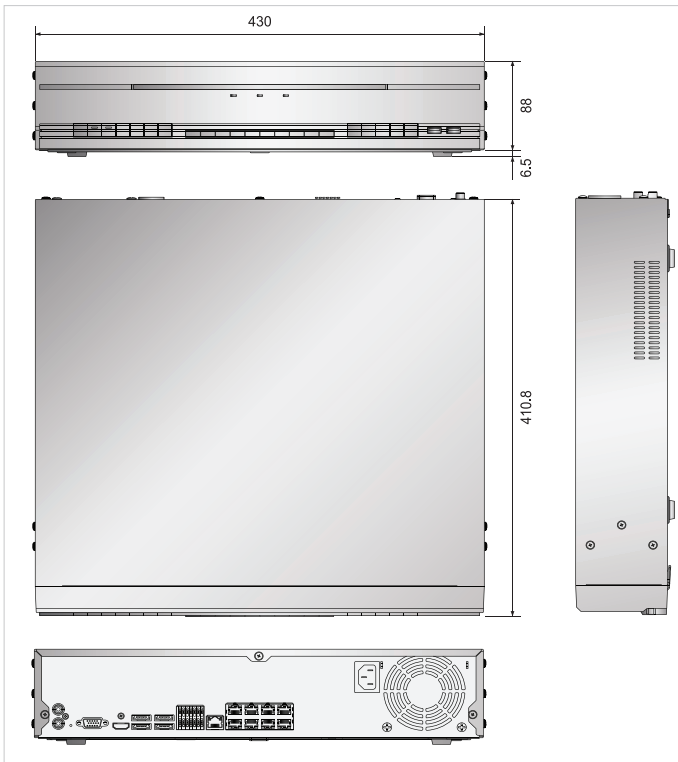
KEY FEATURES

- 8 Channel HD real-time recording
- 8 Channel real-time live display
- Easy to install, set-up and play with DirectIP™ cameras
- 8 built-in IP camera port
- Expandable up to 36TB using eSATA storage
- Supports one click network configuration through FEN Service
- Supports third party cameras (Axis, Panasonic, ONVIF™)

CONNECTION DIAGRAM



DIMENSIONS



SPECIFICATIONS

VIDEO	
Video Inputs	8 IP cameras
Supports Camera	DirectIP™, Axis, Panasonic, ONVIF™
Video Outputs	1 HDMI, 1 VGA OUT
Display Resolutions	1920 x 1080, 1280x720, 704x480, 352x240 (Depending on IP Camera)
Display Speed	8 Channel real-time live
Digital Zoom	x2, x3, x4
RECORDING	
Max. Throughput	70Mbps, 240ips@HD
Recording Resolutions	1920x1080, 1280x720, 704x480, 352x240 (Depending on IP Camera)
Compression	H.264
Recording Modes	Time-lapse, Event, Pre-event, Panic
Trigger Events	Alarm in, Audio detection, Motion detection, Trip-zone Tampering, Video loss
PLAYBACK	
Performance	4 Channel Full HD synchronous playback
Search Modes	Time-lapse, Event log, Motion, Text-in
Digital Zoom	x2
STORAGE	
HDD	SATA x4, eSATA x2 (Up to 3TB capacity for each disk)
Total Capacity	36TB=3TB x 4 (Internal) + 2x4 (External)
NETWORK	
Connection	Gigabit Ethernet (Remote) x1 + Gigabit Ethernet (IP Camera) x8
Remote Data Export	IDIS player, AVI, JPG
Event Notification	Email (Attach MP4), Callback to Remote S/W Push Notification (IOS, Android), SNS (Twitter)
Two-way Audio	IDIS Center ~ DC Series IDIS Center ~ DR-4108, DR-4108 ~ DC Series
Client Viewer	IDIS Center, IDIS Mobile, IDIS Web
INTERFACE	
Audio In / Out	Local (NVR) : 1 RCA / 1RCA + 1HDMI IP Camera : 8 (Depending on IP Camera)
Alarm In / Out	Local (NVR) : 4 / 1 IP Camera : 8 (Depending on IP Camera)
Alarm Reset In	1
Serial Interface	RS232 (Terminal block), RS485 (Terminal block)
USB	USB 2.0 x2
User Interface	Front buttons, Mouse, IR remote control, Remote Keyboard
GENERAL	
Operating System	Embedded Linux
UNIT Dimensions (W x H x D)	430mm x 88mm x 410.8mm
Unit Weight	7.6 kg (With 4HDDs)
Shipping Dimensions (W x H x D)	540mm x 290mm x 590mm
Shipping Weight	10.8 kg
Working Temperature	5°C ~ 40°C
Operating Humidity	0% ~ 90%
Input Power	AC 100-240 V, 50/60Hz, 1.2 ~ 0.6A
Power Consumption	Max. 65W (With 4HDDs)
Approvals	FCC, UL, CE, CB, KC

Optional Accessories



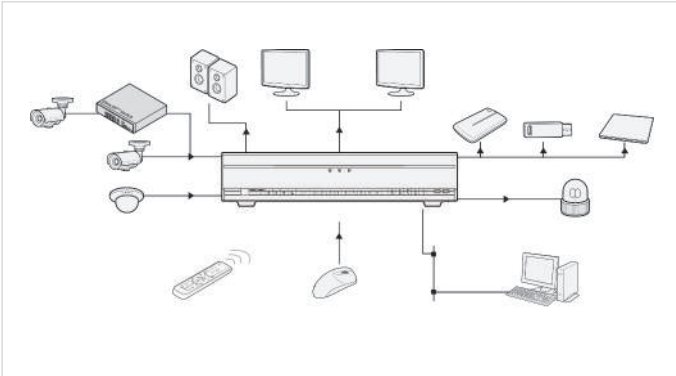
DR-4108P



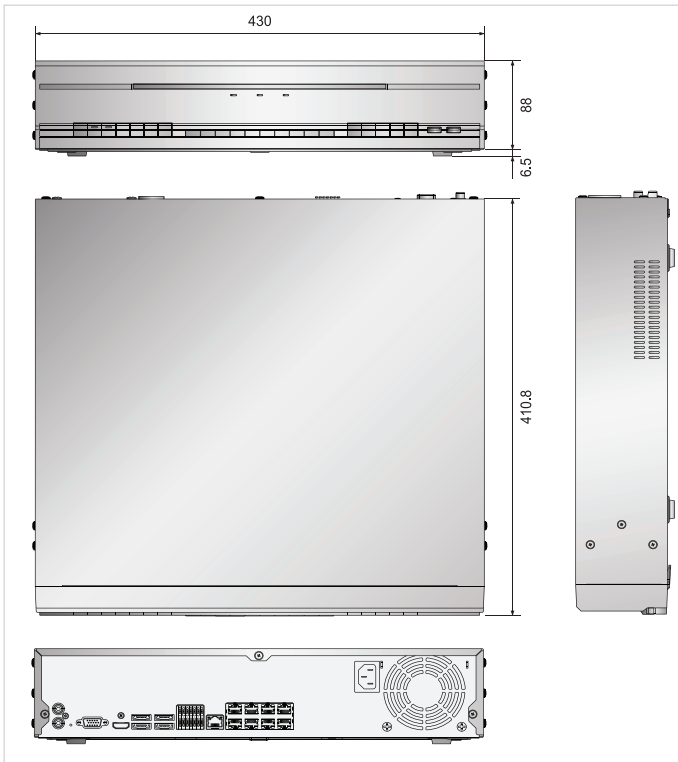
KEY FEATURES

- 8 Channel HD real-time recording
- 8 Channel real-time live display
- Easy to install, set-up and play with DirectIP™ cameras
- Built-in 8 Channel PoE Switch
- Expandable up to 36TB using eSATA storage
- Supports one click network configuration through FEN Service
- Supports third party cameras (Axis, Panasonic, ONVIF™)

CONNECTION DIAGRAM



DIMENSIONS



SPECIFICATIONS

VIDEO	
Video Inputs	8 IP cameras
Supports Camera	DirectIP™, Axis, Panasonic, ONVIF™
Video Outputs	1 HDMI, 1 VGA OUT
Display Resolutions	1920 x 1080, 1680 x 1050
Display Speed	8 Channel real-time live
Digital Zoom	x2, x3, x4
RECORDING	
Max. Throughput	70Mbps, 240ips@HD
Recording Resolutions	1920x1080, 1280x720, 704x480, 352x240 (Depending on IP Camera)
Compression	H.264
Recording Modes	Time-lapse, Event, Pre-event, Panic
Trigger Events	Alarm in, Audio detection, Motion detection, Trip-zone Tampering, Video loss
PLAYBACK	
Performance	4 Channel Full HD synchronous playback
Search Modes	Time-lapse, Event log, Motion, Text-in
Digital Zoom	x2
STORAGE	
HDD	SATA x4, eSATA x2 (Up to 3TB capacity for each disk)
Total Capacity	36TB=3TB x 4 (Internal) + 2x4 (External)
NETWORK	
Connection	Gigabit Ethernet (Remote) x1 + Gigabit Ethernet (IP Camera) x9
Camera Power	PoE (IEEE802.3af) x8
Remote Data Export	IDIS player, AVI, JPG
Event Notification	Email (Attach MP4), Callback to Remote S/W Push Notification (iOS, Android), SNS (Twitter)
Two-way Audio	IDIS Center ~ DC Series IDIS Center ~ DR-4108P, DR-4108P ~ DC Series
Client Viewer	IDIS Center, IDIS Mobile, IDIS Web
INTERFACE	
Audio In / Out	Local (NVR) : 1 RCA / 1RCA + 1HDMI IP Camera : 8 (Depending on IP Camera)
Alarm In / Out	Local (NVR) : 4 / 1 IP Camera : 8 (Depending on IP Camera)
Alarm Reset In	1
Serial Interface	RS232 (Terminal block), RS485 (Terminal block)
USB	USB 2.0 x2
User Interface	Front buttons, Mouse, IR remote control, Remote Keyboard
GENERAL	
Operating System	Embedded Linux
UNIT Dimensions (W x H x D)	430mm x 88mm x 410.8mm
Unit Weight	7.6kg (With 4HDDs)
Shipping Dimensions (W x H x D)	540mm x 290mm x 590mm
Shipping Weight	10.8kg
Working Temperature	5°C ~ 40°C
Operating Humidity	0% ~ 90%
Input Power	AC 100-240 V, 50/60Hz, 1.2 ~ 0.6A
Power Consumption	Max. 65W (With 4HDDs), T.B.D (For PSE)
Approvals	FCC, UL, CE, CB, KC

Optional Accessories



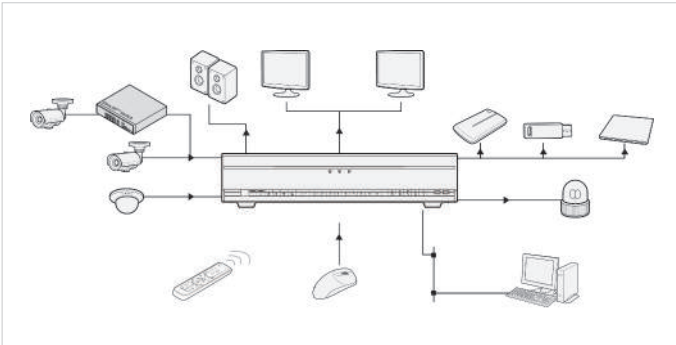
DR-4116



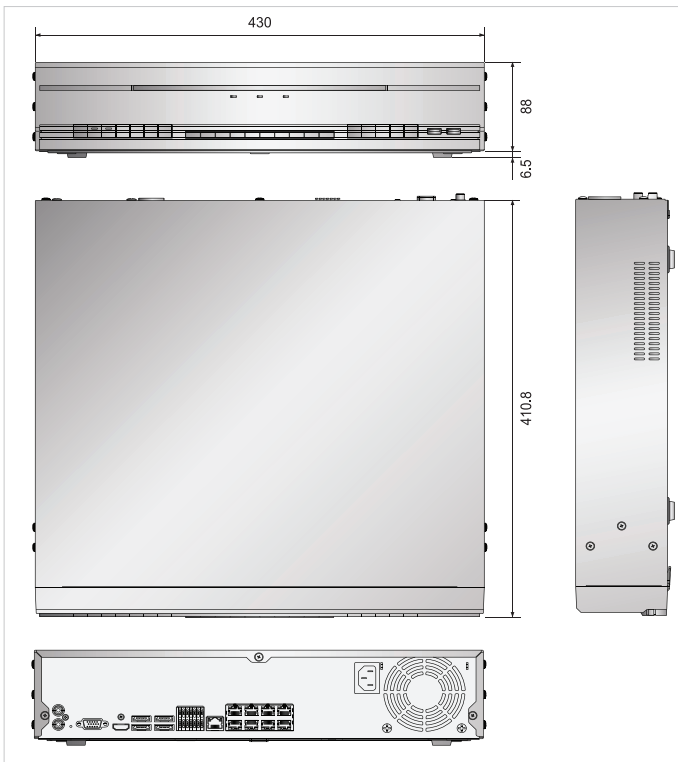
KEY FEATURES

- 16 Channel HD real-time recording
- 16 Channel real-time live display
- Easy to install, set-up and play with DirectIP™ camera
- 8 built-in IP camera port and expandable up to 16 Channel using DirectIP™ Gigabit PoE Switch
- Expandable up to 36TB using eSATA storage
- Supports one click network configuration through FEN Service
- Supports third party cameras (Axis, Panasonic, ONVIF™)

CONNECTION DIAGRAM



DIMENSIONS



SPECIFICATIONS

VIDEO	
Video Inputs	16 IP cameras
Supports Camera	DirectIP™, Axis, Panasonic, ONVIF™
Video Outputs	1 HDMI, 1 VGA OUT
Display Resolutions	1920 x 1080, 1680 x 1050
Display Speed	16 Channel real-time live
Digital Zoom	x2, x3, x4
RECORDING	
Max. Throughput	130Mbps, 480ips@HD
Recording Resolutions	1920x1080, 1280x720, 704x480, 352x240 (Depending on IP Camera)
Compression	H.264
Recording Modes	Time-lapse, Event, Pre-event, Panic
Trigger Events	Alarm in, Audio detection, Motion detection, Trip-zone Tampering, Video loss
PLAYBACK	
Performance	4 Channel Full HD synchronous playback
Search Modes	Time-lapse, Event log, Motion, Text-in
Digital Zoom	x2
STORAGE	
HDD	SATA x4, eSATA x2 (Up to 3TB capacity for each disk)
Total Capacity	36TB=3TB x 4 (Internal) + 2x4 (External)
NETWORK	
Connection	Gigabit Ethernet (Remote) x1 + Gigabit Ethernet (IP Camera) x8
Remote Data Export	IDIS player, AVI, JPG
Event Notification	Email (Attach MP4), Callback to Remote S/W Push Notification (IOS, Android), SNS (Twitter)
Two-way Audio	IDIS Center ~ DC Series IDIS Center ~ DR-4116, DR-4116 ~ DC Series
Client Viewer	IDIS Center, IDIS Mobile, IDIS Web
INTERFACE	
Audio In / Out	Local (NVR) : 1 RCA / 1RCA + 1HDMI IP Camera : 8 (Depending on IP Camera)
Alarm In / Out	Local (NVR) : 4 / 1 IP Camera : 8 (Depending on IP Camera)
Alarm Reset In	1
Serial Interface	RS232 (Terminal block), RS485 (Terminal block)
USB	USB 2.0 x2
User Interface	Front buttons, Mouse, IR remote control, Remote Keyboard
GENERAL	
Operating System	Embedded Linux
UNIT Dimensions (W x H x D)	430mm x 88mm x 410.8mm
Unit Weight	7.6kg (With 4HDDs)
Shipping Dimensions (W x H x D)	540mm x 290mm x 590mm
Shipping Weight	10.8kg
Working Temperature	5°C ~ 40°C
Operating Humidity	0% ~ 90%
Input Power	AC 100-240 V, 50/60Hz, 1.2 ~ 0.6A
Power Consumption	Max. 65W (With 4HDDs)
Approvals	FCC, UL, CE, CB, KC

Optional Accessories



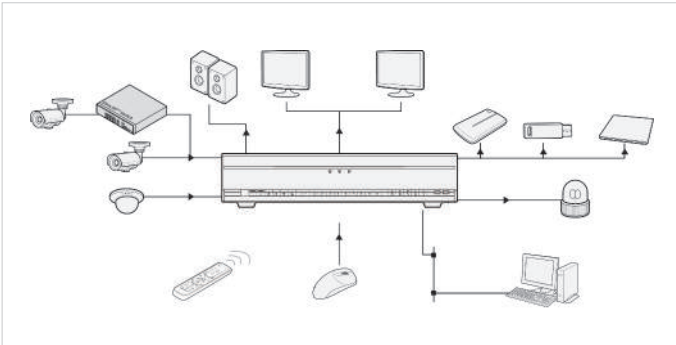
DR-4116P



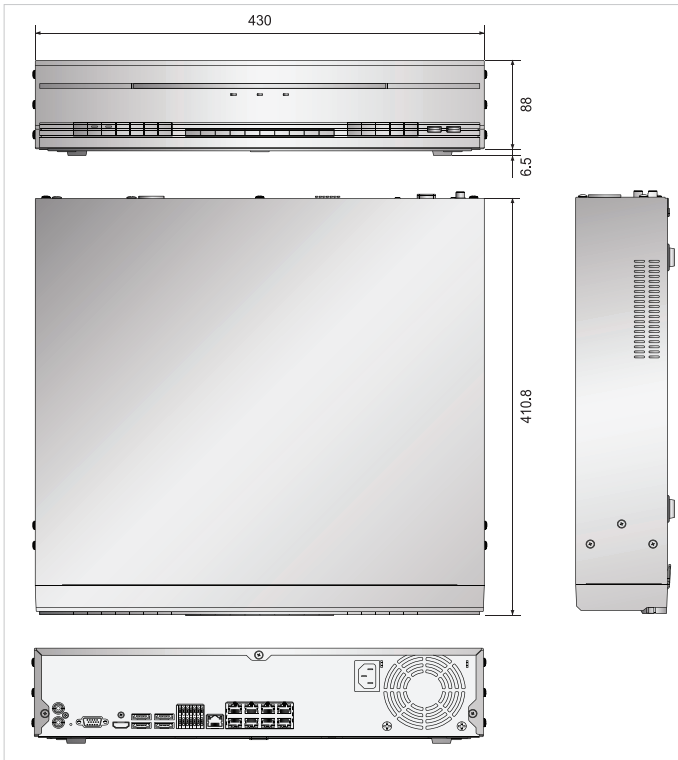
KEY FEATURES

- 16 Channel HD real-time recording
- 16 Channel real-time live display
- Easy to install, set-up and play with DirectIP™ cameras
- Built-in 8 Channel PoE Switch and expandable up to 16 Channel using DirectIP™ Gigabit PoE Switch
- Expandable up to 36TB using eSATA storage
- Supports one click network configuration through FEN Service
- Supports third party cameras (Axis, Panasonic, ONVIF™)

CONNECTION DIAGRAM



DIMENSIONS



SPECIFICATIONS

VIDEO	
Video Inputs	16 IP cameras
Supports Camera	DirectIP™, Axis, Panasonic, ONVIF™
Video Outputs	1 HDMI, 1 VGA OUT
Display Resolutions	1920 x 1080, 1680 x 1050
Display Speed	16 Channel real-time live
Digital Zoom	x2, x3, x4
RECORDING	
Max. Throughput	130Mbps, 480ips@HD
Recording Resolutions	1920x1080, 1280x720, 704x480, 352x240 (Depending on IP Camera)
Compression	H.264
Recording Modes	Time-lapse, Event, Pre-event, Panic
Trigger Events	Alarm in, Audio detection, Motion detection, Trip-zone Tampering, Video loss
PLAYBACK	
Performance	4 Channel Full HD synchronous playback
Search Modes	Time-lapse, Event log, Motion, Text-in
Digital Zoom	x2
STORAGE	
HDD	SATA x4, eSATA x2 (Up to 3TB capacity for each disk)
Total Capacity	36TB=3TB x 4 (Internal) + 2x4 (External)
NETWORK	
Connection	Gigabit Ethernet (Remote) x1 + Gigabit Ethernet (IP Camera) x9
Camera Power	PoE (IEEE802.3af) x8
Remote Data Export	IDIS player, AVI, JPG
Event Notification	Email (Attach MP4), Callback to Remote S/W Push Notification (iOS, Android), SNS (Twitter)
Two-way Audio	IDIS Center ~ DC Series IDIS Center ~ DR-4116P, DR-4116P ~ DC Series
Client Viewer	IDIS Center, IDIS Mobile, IDIS Web
INTERFACE	
Audio In / Out	Local (NVR) : 1 RCA / 1RCA + 1HDMI IP Camera : 8 (Depending on IP Camera)
Alarm In / Out	Local (NVR) : 4 / 1 IP Camera : 8 (Depending on IP Camera)
Alarm Reset In	1
Serial Interface	RS232 (Terminal block), RS485 (Terminal block)
USB	USB 2.0 x2
User Interface	Front buttons, Mouse, IR remote control, Remote Keyboard
GENERAL	
Operating System	Embedded Linux
UNIT Dimensions (W x H x D)	430mm x 88mm x 410.8mm
Unit Weight	7.6kg (With 4HDDs)
Shipping Dimensions (W x H x D)	540mm x 290mm x 590mm
Shipping Weight	10.8kg
Working Temperature	5°C ~ 40°C
Operating Humidity	0% ~ 90%
Input Power	AC 100-240 V, 50/60Hz, 1.2 ~ 0.6A
Power Consumption	Max. 65W (With 4HDDs), T.B.D (For PSE)
Approvals	FCC, UL, CE, CB, KC

Optional Accessories



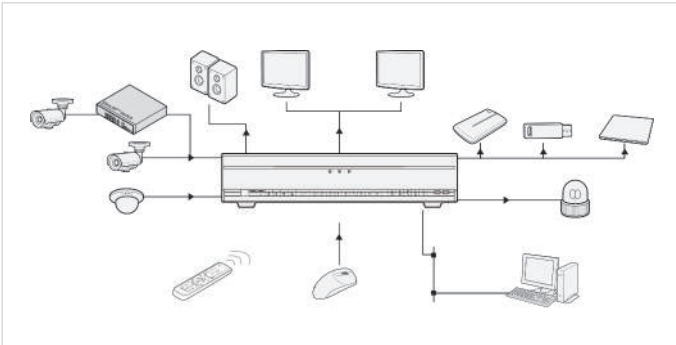
DR-4132



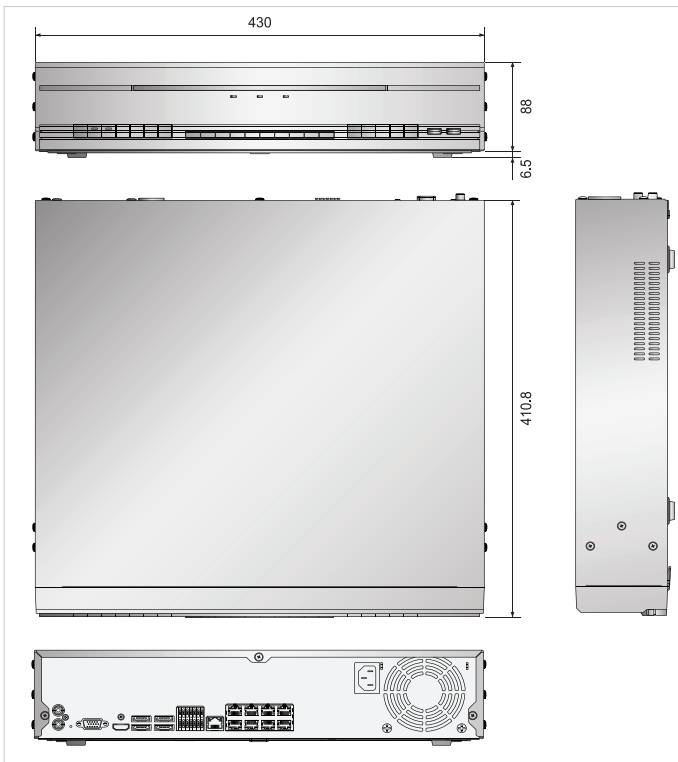
KEY FEATURES

- 16 Channel HD real-time recording
- 16 Channel real-time live display
- Easy to install, set-up and play with DirectIP™ cameras
- 8 built-in IP camera port and expandable up to 32 Channel using DirectIP™ Gigabit PoE Switch
- Expandable up to 36TB using eSATA storage
- Supports one click network configuration through FEN Service
- Supports third party cameras (Axis, Panasonic, ONVIF™)

CONNECTION DIAGRAM



DIMENSIONS



SPECIFICATIONS

VIDEO	
Video Inputs	32 IP cameras
Supports Camera	DirectIP™, Axis, Panasonic, ONVIF™
Video Outputs	1 HDMI, 1 VGA OUT
Display Resolutions	1920 x 1080, 1680 x 1050
Display Speed	16 Channel real-time live
Digital Zoom	x2, x3, x4
RECORDING	
Max. Throughput	130Mbps, 480ips@HD
Recording Resolutions	1920x1080, 1280x720, 704x480, 352x240 (Depending on IP Camera)
Compression	H.264
Recording Modes	Time-lapse, Event, Pre-event, Panic
Trigger Events	Alarm in, Audio detection, Motion detection, Trip-zone Tampering, Video loss
PLAYBACK	
Performance	4 Channel Full HD synchronous playback
Search Modes	Time-lapse, Event log, Motion, Text-in
Digital Zoom	x2
STORAGE	
HDD	SATA x4, eSATA x2 (Up to 3TB capacity for each disk)
Total Capacity	36TB=3TB x 4 (Internal) + 2x4 (External)
NETWORK	
Connection	Gigabit Ethernet (Remote) x1 + Gigabit Ethernet (IP Camera) x8
Remote Data Export	IDIS player, AVI, JPG
Event Notification	Email (Attach MP4), Callback to Remote S/W Push Notification (IOS, Android), SNS (Twitter)
Two-way Audio	IDIS Center ~ DC Series IDIS Center ~ DR-4132, DR-4132 ~ DC Series
Client Viewer	IDIS Center, IDIS Mobile, IDIS Web
INTERFACE	
Audio In / Out	Local (NVR) : 1 RCA / 1RCA + 1HDMI IP Camera : 32 (Depending on IP Camera)
Alarm In / Out	Local(NVR) : 4 / 1 IP Camera : 32 (Depending on IP Camera)
Alarm Reset In	1
Serial Interface	RS232 (Terminal block), RS485 (Terminal block)
USB	USB 2.0 x2
User Interface	Front buttons, Mouse, IR remote control, Remote Keyboard
GENERAL	
Operating System	Embedded Linux
UNIT Dimensions (W x H x D)	430mm x 88mm x 410.8mm
Unit Weight	7.6kg (With 4HDDs)
Shipping Dimensions (W x H x D)	540mm x 290mm x 590mm
Shipping Weight	10.8kg
Working Temperature	5°C ~ 40°C
Operating Humidity	0% ~ 90%
Input Power	AC 100-240 V, 50/60Hz, 1.2 ~ 0.6A
Power Consumption	Max. 65W (With 4HDDs)
Approvals	FCC, UL, CE, CB, KC

Optional Accessories



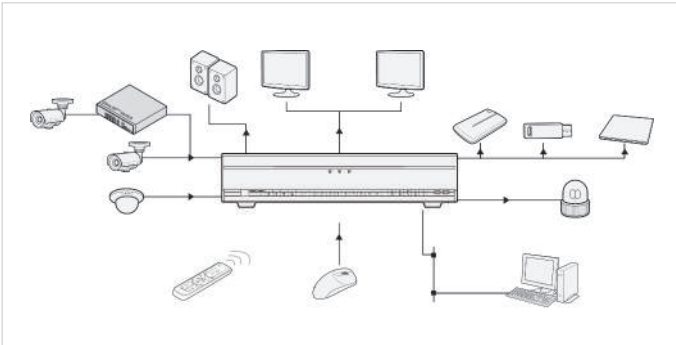
DR-4132P



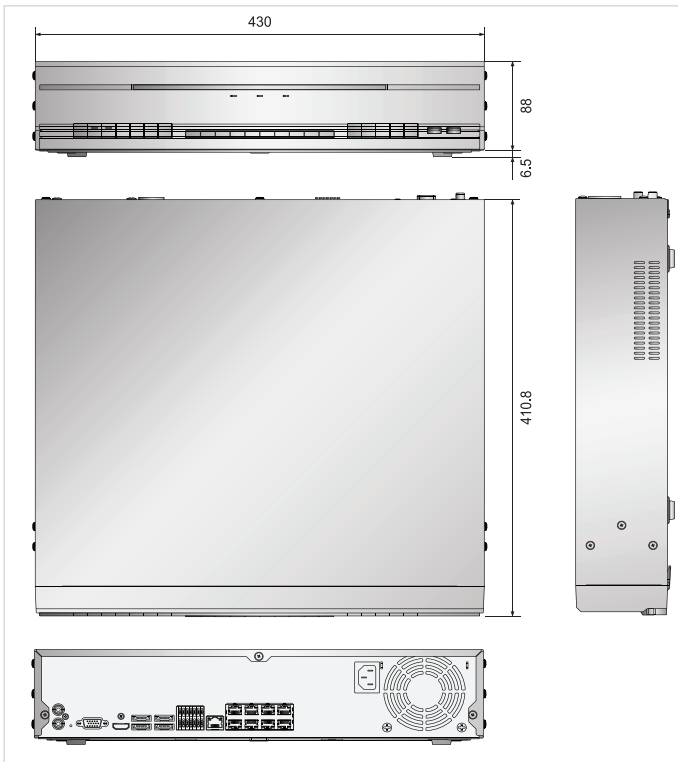
KEY FEATURES

- 16 Channel HD real-time recording
- 16 Channel real-time live display
- Easy to install, set-up and play with DirectIP™ cameras
- Built-in 8 Channel PoE Switch and expandable up to 32Channel using DirectIP™ Gigabit PoE Switch
- Expandable up to 36TB using eSATA storage
- Supports one click network configuration through FEN Service
- Supports third party cameras (Axis, Panasonic, ONVIF™)

CONNECTION DIAGRAM



DIMENSIONS



SPECIFICATIONS

VIDEO	
Video Inputs	32 IP cameras
Supports Camera	DirectIP™, Axis, Panasonic, ONVIF™
Video Outputs	1 HDMI, 1 VGA OUT
Display Resolutions	1920 x 1080, 1680 x 1050
Display Speed	16 Channel real-time live
Digital Zoom	x2, x3, x4
RECORDING	
Max. Throughput	130Mbps, 480ips@HD
Recording Resolutions	1920x1080, 1280x720, 704x480, 352x240 (Depending on IP Camera)
Compression	H.264
Recording Modes	Time-lapse, Event, Pre-event, Panic
Trigger Events	Alarm in, Audio detection, Motion detection, Trip-zone Tampering, Video loss
PLAYBACK	
Performance	4 Channel Full HD synchronous playback
Search Modes	Time-lapse, Event log, Motion, Text-in
Digital Zoom	x2
STORAGE	
HDD	SATA x4, eSATA x2 (Up to 3TB capacity for each disk)
Total Capacity	36TB=3TB x 4 (Internal) + 2x4 (External)
NETWORK	
Connection	Gigabit Ethernet (Remote) x1 + Gigabit Ethernet (IP Camera) x9
Camera Power	PoE (IEEE802.3af) x8
Remote Data Export	IDIS player, AVI, JPG
Event Notification	Email (Attach MP4), Callback to Remote S/W Push Notification (iOS, Android), SNS (Twitter)
Two-way Audio	IDIS Center ~ DC Series IDIS Center ~ DR-4132P, DR-4132P ~ DC Series
Client Viewer	IDIS Center, IDIS Mobile, IDIS Web
INTERFACE	
Audio In / Out	Local (NVR) : 1 RCA / 1RCA + 1HDMI IP Camera : 32 (Depending on IP Camera)
Alarm In / Out	Local (NVR) : 4 / 1 IP Camera : 32 (Depending on IP Camera)
Alarm Reset In	1
Serial Interface	RS232 (Terminal block), RS485 (Terminal block)
USB	USB 2.0 x2
User Interface	Front buttons, Mouse, IR remote control, Remote Keyboard
GENERAL	
Operating System	Embedded Linux
UNIT Dimensions (W x H x D)	430mm x 88mm x 410.8mm
Unit Weight	7.6kg (With 4HDDs)
Shipping Dimensions (W x H x D)	540mm x 290mm x 590mm
Shipping Weight	10.8kg
Working Temperature	5°C ~ 40°C
Operating Humidity	0% ~ 90%
Input Power	AC 100-240 V, 50/60Hz, 1.2 ~ 0.6A
Power Consumption	Max. 65W (With 4HDDs), T.B.D (For PSE)
Approvals	FCC, UL, CE, CB, KC

Optional Accessories



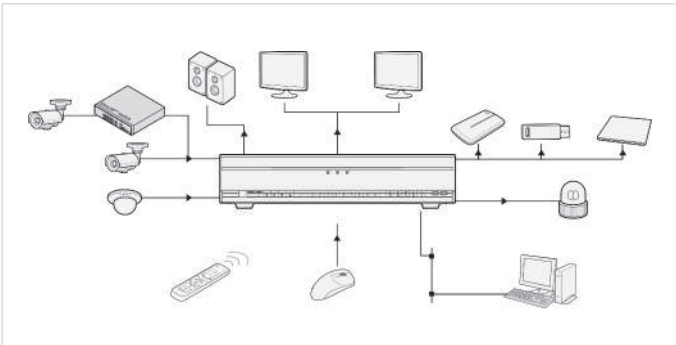
DR-6108



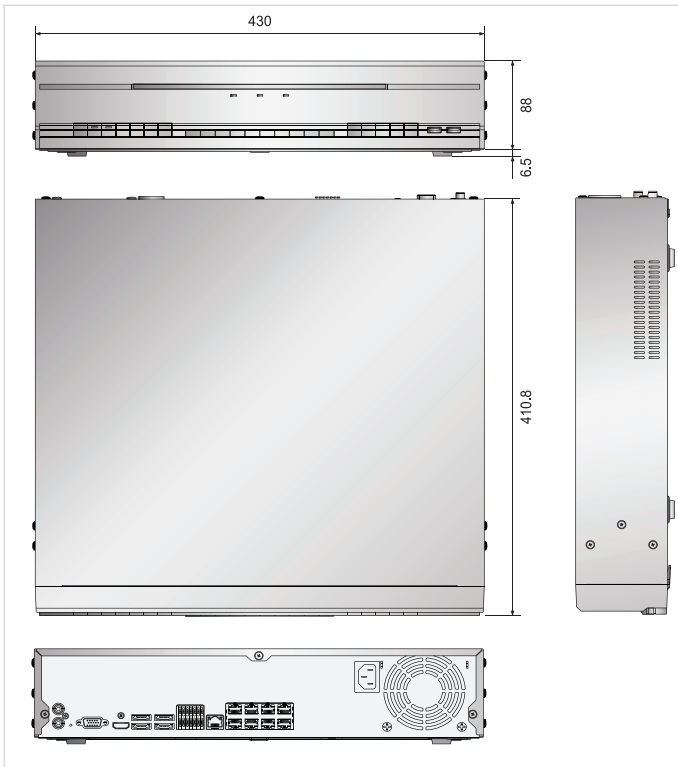
KEY FEATURES

- 8 Channel Full HD real-time recording
- 8 Channel real-time live display
- Easy to install, set-up and play with DirectIP™ cameras
- 8 built-in IP camera port
- Expandable up to 66TB using eSATA storage
- Supports one click network configuration through FEN Service
- Supports third party cameras (Axis, Panasonic, ONVIF™)

CONNECTION DIAGRAM



DIMENSIONS



SPECIFICATIONS

VIDEO	
Video Inputs	8 IP cameras
Supports Camera	DirectIP™, Axis, Panasonic, ONVIF™
Video Outputs	1 HDMI, 1 VGA OUT
Display Resolutions	1920 x 1080, 1680 x 1050
Display Speed	8 Channel real-time live
Digital Zoom	x2, x3, x4
RECORDING	
Max. Throughput	100Mbps, 240ips@Full HD
Recording Resolutions	1920x1080, 1280x720, 704x480, 352x240 (Depending on IP Camera)
Compression	H.264
Recording Modes	Time-lapse, Event, Pre-event, Panic
Trigger Events	Alarm in, Audio detection, Motion detection, Trip-zone Tampering, Video loss
PLAYBACK	
Performance	4 Channel Full HD synchronous playback
Search Modes	Time-lapse, Event log, Motion, Text-in
Digital Zoom	x2
STORAGE	
HDD	SATA x6, eSATA x4 (Up to 3TB capacity for each disk)
Total Capacity	66TB=3TB x 6 (Internal) + 4x4 (External)
NETWORK	
Connection	Gigabit Ethernet (Remote) x1 + Gigabit Ethernet (IP Camera) x8
Remote Data Export	IDIS player, AVI, JPG
Event Notification	Email (Attach MP4), Callback to Remote S/W Push Notification (IOS, Android), SNS (Twitter)
Two-way Audio	IDIS Center ~ DC Series IDIS Center ~ DR-6108, DR-6108 ~ DC Series
Client Viewer	IDIS Center, IDIS Mobile, IDIS Web
INTERFACE	
Audio In / Out	Local (NVR) : 1 RCA / 1RCA + 1HDMI IP Camera : 8 (Depending on IP Camera)
Alarm In / Out	Local (NVR) : 4 / 1 IP Camera : 8 (Depending on IP Camera)
Alarm Reset In	1
Serial Interface	RS232 (Terminal block), RS485 (Terminal block)
USB	USB 2.0 x2
User Interface	Front buttons, Mouse, IR remote control, Remote Keyboard
GENERAL	
Operating System	Embedded Linux
UNIT Dimensions (W x H x D)	430mm x 88mm x 410.8mm
Unit Weight	8.8 kg (With 6HDDs)
Shipping Dimensions (W x H x D)	540mm x 290mm x590mm
Shipping Weight	12 kg
Working Temperature	5°C ~ 40°C
Operating Humidity	0% ~ 90%
Input Power	AC 100-240 V, 50/60Hz, 1.0 ~ 0.5A
Power Consumption	Max. 80W (With 6HDDs)
Approvals	FCC, UL, CE, CB, KC

Optional Accessories



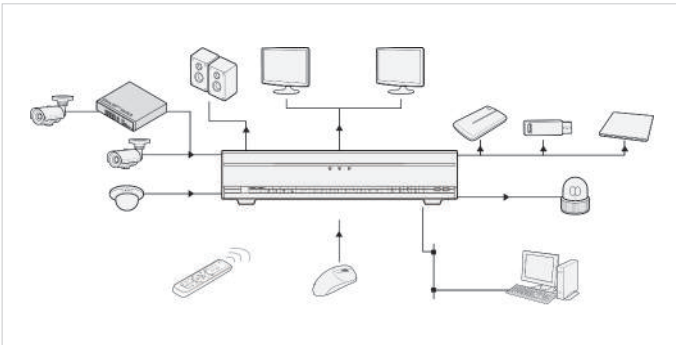
DR-6108P



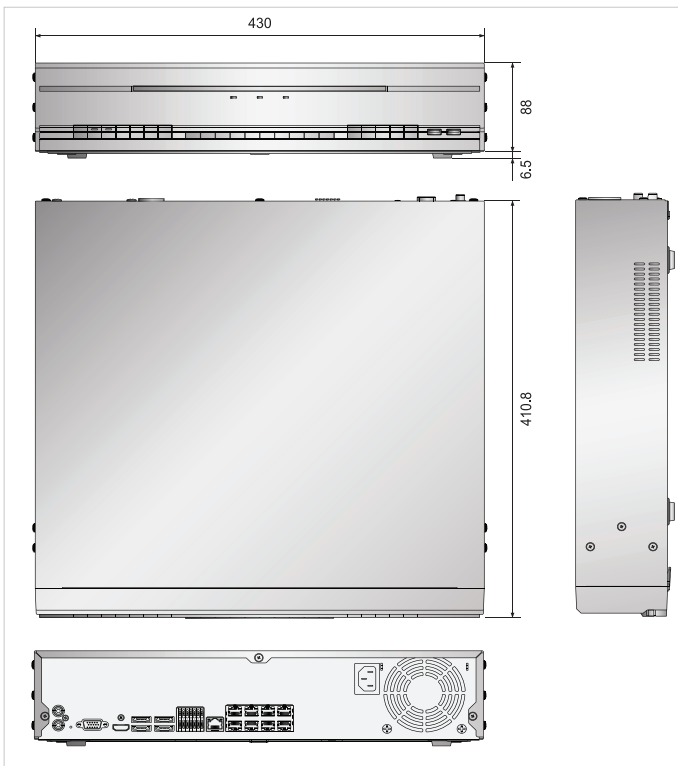
KEY FEATURES

- 8 Channel Full HD real-time recording
- 8 Channel real-time live display
- Easy to install, set-up and play with DirectIP™ cameras
- Built-in 8 Channel PoE Switch
- Expandable up to 66TB using eSATA storage
- Supports one click network configuration through FEN Service
- Supports third party cameras (Axis, Panasonic, ONVIF™)

CONNECTION DIAGRAM



DIMENSIONS



SPECIFICATIONS

VIDEO	
Video Inputs	8 IP cameras
Supports Camera	DirectIP™, Axis, Panasonic, ONVIF™
Video Outputs	1 HDMI, 1 VGA OUT
Display Resolutions	1920 x 1080, 1680 x 1050
Display Speed	8 Channel real-time live
Digital Zoom	x2, x3, x4
RECORDING	
Max. Throughput	100Mbps, 240ips@Full HD
Recording Resolutions	1920x1080, 1280x720, 704x480, 352x240 (Depending on IP Camera)
Compression	H.264
Recording Modes	Time-lapse, Event, Pre-event, Panic
Trigger Events	Alarm in, Audio detection, Motion detection, Trip-zone Tampering, Video loss
PLAYBACK	
Performance	4 Channel Full HD synchronous playback
Search Modes	Time-lapse, Event log, Motion, Text-in
Digital Zoom	x2
STORAGE	
HDD	SATA x6, eSATA x4 (Up to 3TB capacity for each disk)
Total Capacity	66TB=3TB x 6 (Internal) + 4x4 (External)
NETWORK	
Connection	Gigabit Ethernet (Remote) x1 + Gigabit Ethernet (IP Camera) x9
Camera Power	PoE (IEEE802.3af) x8
Remote Data Export	IDIS player, AVI, JPG
Event Notification	Email (Attach MP4), Callback to Remote S/W Push Notification (iOS, Android), SNS (Twitter)
Two-way Audio	IDIS Center ~ DC Series IDIS Center ~ DR-6108P, DR-6108P ~ DC Series
Client Viewer	IDIS Center, IDIS Mobile, IDIS Web
INTERFACE	
Audio In / Out	Local (NVR) : 1 RCA / 1RCA + 1HDMI IP Camera : 8 (Depending on IP Camera)
Alarm In / Out	Local (NVR) : 4 / 1 IP Camera : 8 (Depending on IP Camera)
Alarm Reset In	1
Serial Interface	RS232 (Terminal block), RS485 (Terminal block)
USB	USB 2.0 x2
User Interface	Front buttons, Mouse, IR remote control, Remote Keyboard
GENERAL	
Operating System	Embedded Linux
UNIT Dimensions (W x H x D)	430mm x 88mm x 410.8mm
Unit Weight	8.8 kg (With 6HDDs)
Shipping Dimensions (W x H x D)	540mm x 290mm x590mm
Shipping Weight	12 kg
Working Temperature	5°C ~ 40°C
Operating Humidity	0% ~ 90%
Input Power	AC 100-240 V, 50/60Hz, 1.0 ~ 0.5A
Power Consumption	Max. 80W (With 6HDDs), T.B.D (For PSE)
Approvals	FCC, UL, CE, CB, KC

Optional Accessories



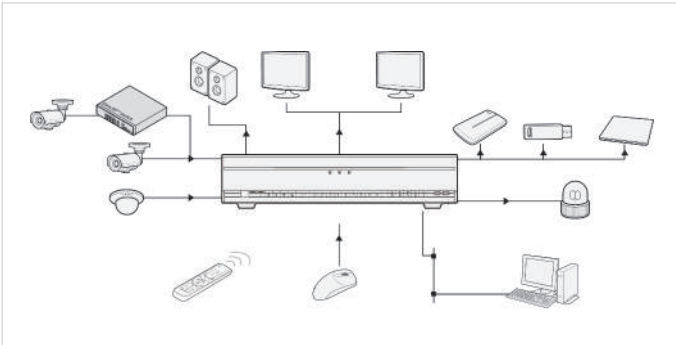
DR-6116



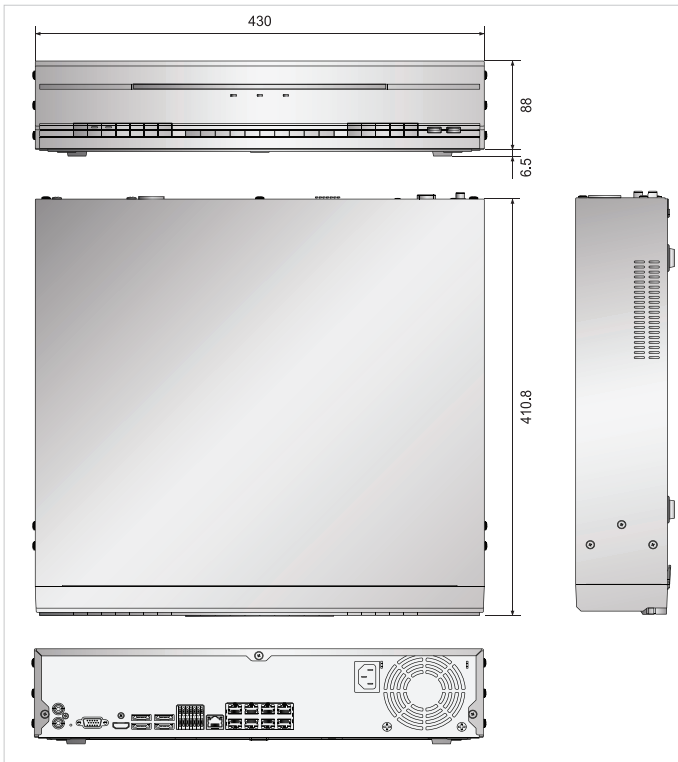
KEY FEATURES

- 16 Channel Full HD real-time recording
- 16 Channel real-time live display
- Easy to install, set-up and play with DirectIP™ cameras
- 8 built-in IP camera port and expandable up to 16 Channel using DirectIP™ Gigabit PoE Switch
- Expandable up to 66TB using eSATA storage
- Supports one click network configuration through FEN Service
- Supports third party cameras (Axis, Panasonic, ONVIF™)

CONNECTION DIAGRAM



DIMENSIONS



SPECIFICATIONS

VIDEO	
Video Inputs	16 IP cameras
Supports Camera	DirectIP™, Axis, Panasonic, ONVIF™
Video Outputs	1 HDMI, 1 VGA OUT
Display Resolutions	1920 x 1080, 1680 x 1050
Display Speed	16 Channel real-time live
Digital Zoom	x2, x3, x4
RECORDING	
Max. Throughput	200Mbps, 480ips@Full HD
Recording Resolutions	1920x1080, 1280x720, 704x480, 352x240 (Depending on IP Camera)
Compression	H.264
Recording Modes	Time-lapse, Event, Pre-event, Panic
Trigger Events	Alarm in, Audio detection, Motion detection, Trip-zone Tampering, Video loss
PLAYBACK	
Performance	4 Channel Full HD synchronous playback
Search Modes	Time-lapse, Event log, Motion, Text-in
Digital Zoom	x2
STORAGE	
HDD	SATA x6, eSATA x4 (Up to 3TB capacity for each disk)
Total Capacity	66TB=3TB x 6 (Internal) + 4x4 (External)
NETWORK	
Connection	Gigabit Ethernet (Remote) x1 + Gigabit Ethernet (IP Camera) x8
Remote Data Export	IDIS player, AVI, JPG
Event Notification	Email (Attach MP4), Callback to Remote S/W Push Notification (IOS, Android), SNS (Twitter)
Two-way Audio	IDIS Center ~ DC Series IDIS Center ~ DR-6116, DR-6116 ~ DC Series
Client Viewer	IDIS Center, IDIS Mobile, IDIS Web
INTERFACE	
Audio In / Out	Local (NVR) : 1 RCA / 1RCA + 1HDMI IP Camera : 16 (Depending on IP Camera)
Alarm In / Out	Local (NVR) : 4 / 1 IP Camera : 16 (Depending on IP Camera)
Alarm Reset In	1
Serial Interface	RS232 (Terminal block), RS485 (Terminal block)
USB	USB 2.0 x2
User Interface	Front buttons, Mouse, IR remote control, Remote Keyboard
GENERAL	
Operating System	Embedded Linux
UNIT Dimensions (W x H x D)	430mm x 88mm x 410.8mm
Unit Weight	8.8 kg (With 6HDDs)
Shipping Dimensions (W x H x D)	540mm x 290mm x590mm
Shipping Weight	12 kg
Operating Temperature	5°C ~ 40°C
Operating Humidity	0% ~ 90%
Input Power	AC 100-240 V, 50/60Hz, 1.0 ~ 0.5A
Power Consumption	Max. 80W (With 6HDDs)
Approvals	FCC, UL, CE, CB, KC

Optional Accessories



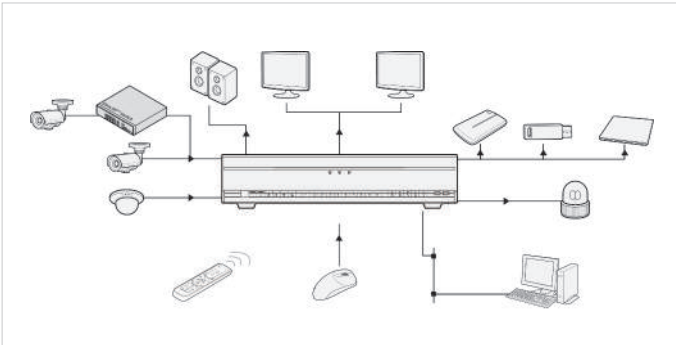
DR-6116P



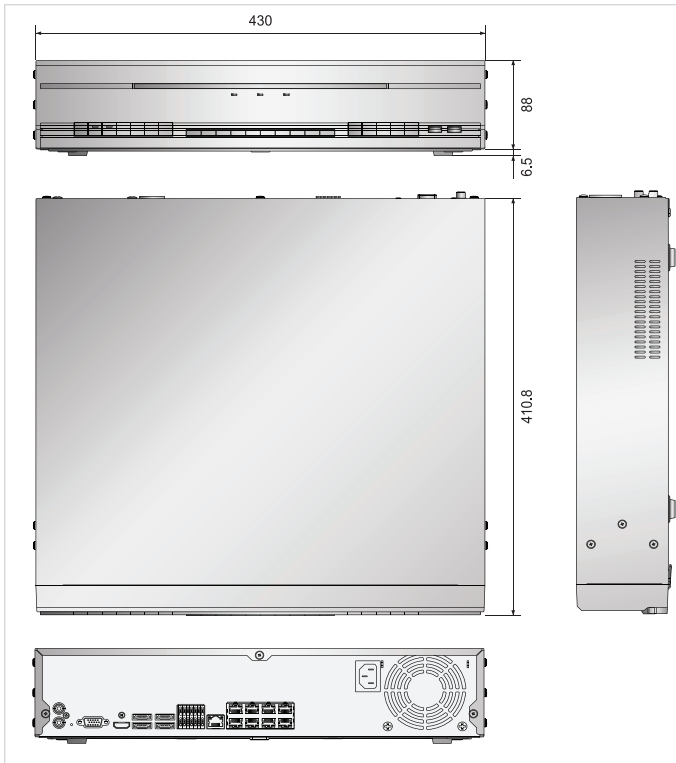
KEY FEATURES

- 16 Channel Full HD real-time recording
- 16 Channel real-time live display
- Easy to install, set-up and play with DirectIP™ cameras
- Built-in 8 Channel PoE Switch and expandable up to 16 Channel using DirectIP™ Gigabit PoE Switch
- Expandable up to 66TB using eSATA storage
- Supports one click network configuration through FEN Service
- Supports third party cameras (Axis, Panasonic, ONVIF™)

CONNECTION DIAGRAM



DIMENSIONS



SPECIFICATIONS

VIDEO	
Video Inputs	16 IP cameras
Supports Camera	DirectIP™, Axis, Panasonic, ONVIF™
Video Outputs	1 HDMI, 1 VGA OUT
Display Resolutions	1920 x 1080, 1680 x 1050
Display Speed	16 Channel real-time live
Digital Zoom	x2, x3, x4
RECORDING	
Max. Throughput	200Mbps, 480ips@Full HD
Recording Resolutions	1920x1080, 1280x720, 704x480, 352x240 (Depending on IP Camera)
Compression	H.264
Recording Modes	Time-lapse, Event, Pre-event, Panic
Trigger Events	Alarm in, Audio detection, Motion detection, Trip-zone Tampering, Video loss
PLAYBACK	
Performance	4 Channel Full HD synchronous playback
Search Modes	Time-lapse, Event log, Motion, Text-in
Digital Zoom	x2
STORAGE	
HDD	SATA x6, eSATA x4 (Up to 3TB capacity for each disk)
Total Capacity	66TB=3TB x 6 (Internal) + 4x4 (External)
NETWORK	
Connection	Gigabit Ethernet (Remote) x1 + Gigabit Ethernet (IP Camera) x9
Camera Power	PoE (IEEE802.3af) x8
Remote Data Export	IDIS player, AVI, JPG
Event Notification	Email (Attach MP4), Callback to Remote S/W Push Notification (iOS, Android), SNS (Twitter)
Two-way Audio	IDIS Center ~ DC Series IDIS Center ~ DR-6116P, DR-6116P ~ DC Series
Client Viewer	IDIS Center, IDIS Mobile, IDIS Web
INTERFACE	
Audio In / Out	Local (NVR) : 1 RCA / 1RCA + 1HDMI IP Camera : 16 (Depending on IP Camera)
Alarm In / Out	Local (NVR) : 4 / 1 IP Camera : 16 (Depending on IP Camera)
Alarm Reset In	1
Serial Interface	RS232 (Terminal block), RS485 (Terminal block)
USB	USB 2.0 x2
User Interface	Front buttons, Mouse, IR remote control, Remote Keyboard
GENERAL	
Operating System	Embedded Linux
UNIT Dimensions (W x H x D)	430mm x 88mm x 410.8mm
Unit Weight	8.8 kg (With 6HDDs)
Shipping Dimensions (W x H x D)	540mm x 290mm x590mm
Shipping Weight	12 kg
Operating Temperature	5℃ ~ 40℃
Operating Humidity	0% ~ 90%
Input Power	AC 100-240 V, 50/60Hz, 1.0 ~ 0.5A
Power Consumption	Max. 80W (With 6HDDs), T.B.D (For PSE)
Approvals	FCC, UL, CE, CB, KC

Optional Accessories



DA-ES1104

DH-2112PF

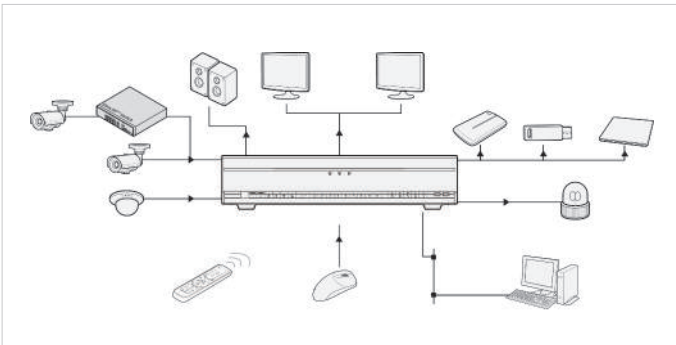
DR-6132



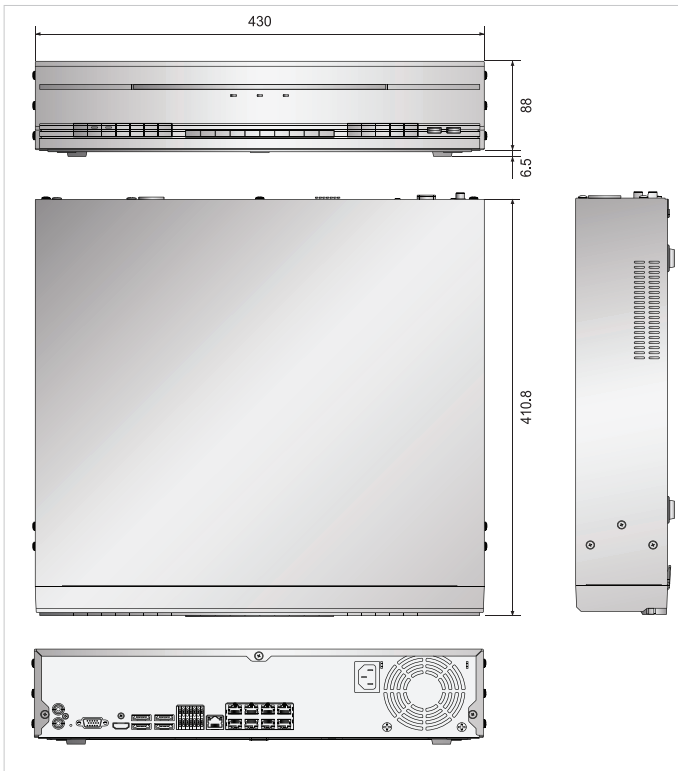
KEY FEATURES

- 16 Channel Full HD real-time recording
- 16 Channel real-time live display
- Easy to install, set-up and play with DirectIP™ cameras
- 8 built-in IP camera port and expandable up to 32 Channel using DirectIP™ Gigabit PoE Switch
- Expandable up to 66TB using eSATA storage
- Supports one click network configuration through FEN Service
- Supports third party cameras (Axis, Panasonic, ONVIF™)

CONNECTION DIAGRAM



DIMENSIONS



SPECIFICATIONS

VIDEO	
Video Inputs	32 IP cameras
Supports Camera	DirectIP™, Axis, Panasonic, ONVIF™
Video Outputs	1 HDMI, 1 VGA OUT
Display Resolutions	1920 x 1080, 1680 x 1050
Display Speed	16 Channel real-time live
Digital Zoom	x2, x3, x4
RECORDING	
Max. Throughput	200Mbps, 480ips@Full HD
Recording Resolutions	1920x1080, 1280x720, 704x480, 352x240 (Depending on IP Camera)
Compression	H.264
Recording Modes	Time-lapse, Event, Pre-event, Panic
Trigger Events	Alarm in, Audio detection, Motion detection, Trip-zone Tampering, Video loss
PLAYBACK	
Performance	4 Channel Full HD synchronous playback
Search Modes	Time-lapse, Event log, Motion, Text-in
Digital Zoom	x2
STORAGE	
HDD	SATA x6, eSATA x4 (Up to 3TB capacity for each disk)
Total Capacity	66TB=3TB x 6 (Internal) + 4x4 (External)
NETWORK	
Connection	Gigabit Ethernet(Remote) x1 + Gigabit Ethernet(IP Camera) x8
Remote Data Export	IDIS player, AVI, JPG
Event Notification	Email(Attach MP4), Callback to Remote S/W Push Notification (IOS, Android), SNS (Twitter)
Two-way Audio	IDIS Center ~ DC Series IDIS Center ~ DR-6132, DR-6132 ~ DC Series
Client Viewer	IDIS Center, IDIS Mobile, IDIS Web
INTERFACE	
Audio In / Out	Local (NVR) : 1 RCA / 1RCA + 1HDMI IP Camera : 32 (Depending on IP Camera)
Alarm In / Out	Local (NVR) : 4 / 1 IP Camera : 32 (Depending on IP Camera)
Alarm Reset In	1
Serial Interface	RS232 (Terminal block), RS485 (Terminal block)
USB	USB 2.0 x2
User Interface	Front buttons, Mouse, IR remote control, Remote Keyboard
GENERAL	
Operating System	Embedded Linux
UNIT Dimensions (W x H x D)	430mm x 88mm x 410.8mm
Unit Weight	8.8 kg (With 6HDDs)
Shipping Dimensions (W x H x D)	540mm x 290mm x590mm
Shipping Weight	12 kg
Operating Temperature	5℃ ~ 40℃
Operating Humidity	0% ~ 90%
Input Power	AC 100-240 V, 50/60Hz, 1.0 ~ 0.5A
Power Consumption	Max. 80W (With 6HDDs)
Approvals	FCC, UL, CE, CB, KC

Optional Accessories



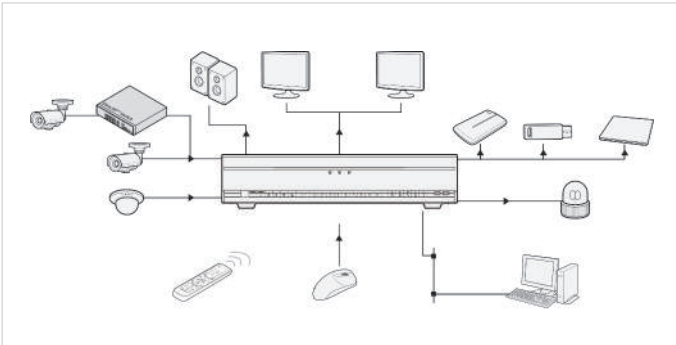
DR-6132P



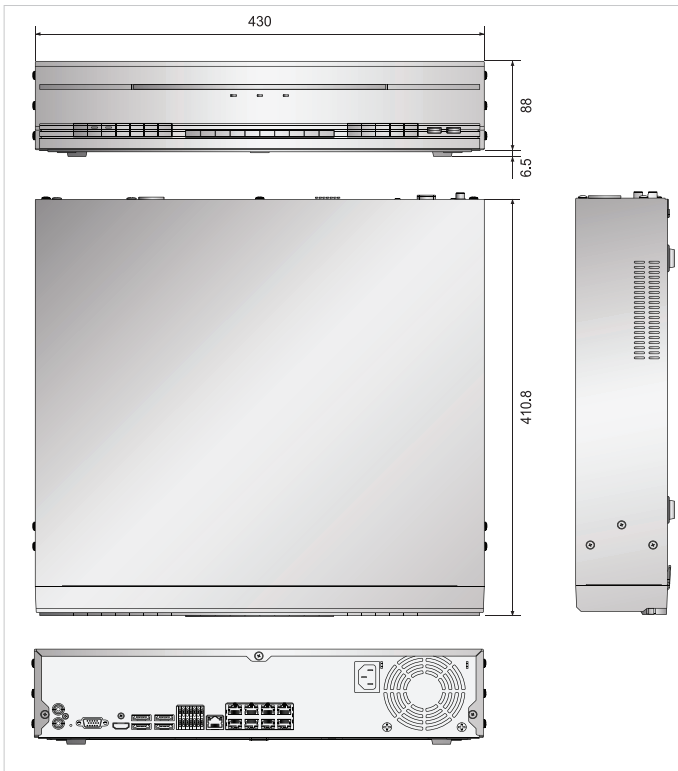
KEY FEATURES

- 16 Channel Full HD real-time recording
- 16 Channel real-time live display
- Easy to install, set-up and play with DirectIP™ cameras
- Built-in 8 Channel PoE Switch and expandable up to 32Channel using DirectIP™ Gigabit PoE Switch
- Expandable up to 66TB using eSATA storage
- Supports one click network configuration through FEN Service
- Supports third party cameras (Axis, Panasonic, ONVIF™)

CONNECTION DIAGRAM



DIMENSIONS



SPECIFICATIONS

VIDEO	
Video Inputs	32 IP cameras
Supports Camera	DirectIP™, Axis, Panasonic, ONVIF™
Video Outputs	1 HDMI, 1 VGA OUT
Display Resolutions	1920 x 1080, 1680 x 1050
Display Speed	16 Channel real-time live
Digital Zoom	x2, x3, x4
RECORDING	
Max. Throughput	200Mbps, 480ips@Full HD
Recording Resolutions	1920x1080, 1280x720, 704x480, 352x240 (Depending on IP Camera)
Compression	H.264
Recording Modes	Time-lapse, Event, Pre-event, Panic
Trigger Events	Alarm in, Audio detection, Motion detection, Trip-zone Tampering, Video loss
PLAYBACK	
Performance	4 Channel Full HD synchronous playback
Search Modes	Time-lapse, Event log, Motion, Text-in
Digital Zoom	x2
STORAGE	
HDD	SATA x6, eSATA x4 (Up to 3TB capacity for each disk)
Total Capacity	66TB=3TB x 6 (Internal) + 4x4 (External)
NETWORK	
Connection	Gigabit Ethernet (Remote) x1 + Gigabit Ethernet (IP Camera) x9
Camera Power	PoE (IEEE802.3af) x8
Remote Data Export	IDIS player, AVI, JPG
Event Notification	Email (Attach MP4), Callback to Remote S/W Push Notification (iOS, Android), SNS (Twitter)
Two-way Audio	IDIS Center ~ DC Series IDIS Center ~ DR-6132P, DR-6132P ~ DC Series
Client Viewer	IDIS Center, IDIS Mobile, IDIS Web
INTERFACE	
Audio In / Out	Local (NVR) : 1 RCA / 1RCA + 1HDMI IP Camera : 32 (Depending on IP Camera)
Alarm In / Out	Local (NVR) : 4 / 1 IP Camera : 32 (Depending on IP Camera)
Alarm Reset In	1
Serial Interface	RS232 (Terminal block), RS485 (Terminal block)
USB	USB 2.0 x2
User Interface	Front buttons, Mouse, IR remote control, Remote Keyboard
GENERAL	
Operating System	Embedded Linux
UNIT Dimensions (W x H x D)	430mm x 88mm x 410.8mm
Unit Weight	8.8 kg (With 6HDDs)
Shipping Dimensions (W x H x D)	540mm x 290mm x 590mm
Shipping Weight	12 kg
Operating Temperature	5℃ ~ 40℃
Operating Humidity	0% ~ 90%
Input Power	AC 100-240 V, 50/60Hz, 1.0 ~ 0.5A
Power Consumption	Max. 80W (With 6HDDs), T.B.D (For PSE)
Approvals	FCC, UL, CE, CB, KC

Optional Accessories



NETWORK CAMERAS









































High resolution network cameras quadruple video streaming for Real-Time IP surveillance

DirectIP™ network cameras provide high resolution image quality using a mega-pixel image sensor and seamless images by quadruple multimedia data streaming technology. Once you install and connect DirectIP™ network cameras and NVRs, the system will automatically display live video without any configuration. With a wide range of cameras available, you can find a network camera to meet your surveillance and environmental needs.



CAMERA SELECTION

	MODEL		Max Resolution	Image Sensor	Lens	TDN	IR LED	Audio In / Out	Alarm In / Out	Outdoor Ready	Input Power
BOX	DC-B1001		704 x 480	1/4" CMOS	Optional (C/S mount)	-	-	-	-	-	12VDC PoE
	DC-B1101		1280 x 720	1/2.7" CMOS	Optional (C/S mount)	-	-	-	-	-	12VDC PoE
	DC-B1103		1280 x 720	1/2.7" CMOS	Optional (C/S mount)	Yes (ICR)	-	1 / 1	1 / 1	-	12VDC PoE
	DC-B1203		1920 x 1080	1/2.7" CMOS	Optional (C/S mount)	Yes (ICR)	-	1 / 1	1 / 1	-	12VDC PoE
DOME	DC-D1011		704 x 480	1/4" CMOS	Fixed-focal (f=3.8mm)	-	-	-	-	-	12VDC PoE
	DC-D1022W		704 x 480	1/4" CMOS	Vari-focal (f=3.3 ~ 12mm)	Yes	-	-	-	IP66	12VDC PoE
	DC-D1022WR		704 x 480	1/4" CMOS	Vari-focal (f=3.3 ~ 12mm)	Yes	18ea	-	-	IP66	12VDC PoE
	DC-D1111		1280 x 720	1/2.7" CMOS	Fixed-focal (f=4.0mm)	-	-	-	-	-	12VDC PoE
	DC-D1122		1280 x 720	1/2.7" CMOS	Vari-focal (f=3.3 ~ 12mm)	Yes	-	-	-	-	12VDC PoE
	DC-D1122R		1280 x 720	1/2.7" CMOS	Vari-focal (f=3.3 ~ 12mm)	Yes	18ea	-	-	-	12VDC PoE
	DC-D1122V		1280 x 720	1/2.7" CMOS	Vari-focal (f=3.3 ~ 12mm)	Yes	-	-	-	-	12VDC PoE
	DC-D1122VR		1280 x 720	1/2.7" CMOS	Vari-focal (f=3.3 ~ 12mm)	Yes	18ea	-	-	-	12VDC PoE
	DC-D1122W		1280 x 720	1/2.7" CMOS	Vari-focal (f=3.3 ~ 12mm)	Yes	-	-	-	IP66	12VDC PoE
	DC-D1122WR		1280 x 720	1/2.7" CMOS	Vari-focal (f=3.3 ~ 12mm)	Yes	18ea	-	-	IP66	12VDC PoE
	DC-D1123		1280 x 720	1/2.7" CMOS	Vari-focal (f=3.3 ~ 12mm)	Yes (ICR)	-	1 / 1	1 / 1	-	12VDC PoE
	DC-D1123R		1280 x 720	1/2.7" CMOS	Vari-focal (f=3.3 ~ 12mm)	Yes (ICR)	18ea	1 / 1	1 / 1	-	12VDC PoE
	DC-D1123V		1280 x 720	1/2.7" CMOS	Vari-focal (f=3.3 ~ 12mm)	Yes (ICR)	-	1 / 1	1 / 1	-	12VDC PoE
	DC-D1123VR		1280 x 720	1/2.7" CMOS	Vari-focal (f=3.3 ~ 12mm)	Yes (ICR)	18ea	1 / 1	1 / 1	-	12VDC PoE
	DC-D1123W		1280 x 720	1/2.7" CMOS	Vari-focal (f=3.3 ~ 12mm)	Yes (ICR)	-	1 / 1	1 / 1	IP66	12VDC PoE

	MODEL		Max Resolution	Image Sensor	Lens	TDN	IR LED	Audio In / Out	Alarm In / Out	Outdoor Ready	Input Power
DOME	DC-D1123WR 		1280 x 720	1/2.7" CMOS	Vari-focal (f=3.3 ~ 12mm)	Yes (ICR)	18ea	1 / 1	1 / 1	IP66	12VDC PoE
	DC-D1123WHR 		1280 x 720	1/2.7" CMOS	Vari-focal (f=3.3 ~ 12mm)	Yes (ICR)	18ea	1 / 1	1 / 1	IP66 Heater	12VDC PoE
	DC-D1212R 		1920 x 1080	1/2.7" CMOS	Fixed-focal (f=3.43mm)	Yes (ICR)	16ea	-	-	-	PoE
	DC-D1223 		1920 x 1080	1/2.7" CMOS	Vari-focal (f=3 ~ 9mm)	Yes (ICR)	-	1 / 1	1 / 1	-	12VDC PoE
	DC-D1223R 		1920 x 1080	1/2.7" CMOS	Vari-focal (f=3 ~ 9mm)	Yes (ICR)	18ea	1 / 1	1 / 1	-	12VDC PoE
	DC-D1223V 		1920 x 1080	1/2.7" CMOS	Vari-focal (f=3 ~ 9mm)	Yes (ICR)	-	1 / 1	1 / 1	-	12VDC PoE
	DC-D1223VR 		1920 x 1080	1/2.7" CMOS	Vari-focal (f=3 ~ 9mm)	Yes (ICR)	18ea	1 / 1	1 / 1	-	12VDC PoE
	DC-D1223W 		1920 x 1080	1/2.7" CMOS	Vari-focal (f=3 ~ 9mm)	Yes (ICR)	-	1 / 1	1 / 1	IP66	12VDC PoE
	DC-D1223WR 		1920 x 1080	1/2.7" CMOS	Vari-focal (f=3 ~ 9mm)	Yes (ICR)	18ea	1 / 1	1 / 1	IP66	12VDC PoE
	DC-D1223WHR 		1920 x 1080	1/2.7" CMOS	Vari-focal (f=3 ~ 9mm)	Yes (ICR)	18ea	1 / 1	1 / 1	IP66 Heater	12VDC PoE
	DC-F1211 		1920 x 1080	1/2.7" CMOS	Fixed-focal (f=4mm)	-	-	-	-	-	PoE
BULLET	DC-T1232WR 		1920 x 1080	1/2.7" CMOS	MFZ (f=3 ~ 9mm)	Yes (ICR)	42ea	-	-	IP66	12VDC PoE
	DC-T1233WHR 		1920 x 1080	1/2.7" CMOS	MFZ (f=3 ~ 9mm)	Yes (ICR)	42ea	1 / 1	-	IP66 Heater	12VDC PoE
	DC-T1234WR 		1920 x 1080	1/2.7" CMOS	MFZ (f=3 ~ 9mm)	Yes (ICR)	24ea	1 / 1	0 / 1	IP66	12VDC PoE
	DC-E1212WR 		1920 x 1080	1/2.7" CMOS	Fixed-focal (f=6.0mm)	Yes	24ea	1 / 1	-	IP66	PoE
SPEED DOME	DC-S1263W 		1920 x 1080	1/2.9" CMOS	AF, Vari-focal (f=4.7 ~ 84.6mm)	Yes (ICR)	-	1 / 1	1 / 1	IP66	12VDC 24VAC PoE
	DC-S1263WH 		1920 x 1080	1/2.9" CMOS	AF, Vari-focal (f=4.7 ~ 84.6mm)	Yes (ICR)	-	1 / 1	1 / 1	IP66 Heater	12VDC 24VAC PoE
ZOOM	DC-Z1163 		1280 x 720	1/2.9" CMOS	AF, Vari-focal (f=4.7 ~ 84.6mm)	Yes (ICR)	-	1 / 1	1 / 1	-	12VDC 24VAC PoE
	DC-Z1263 		1920 x 1080	1/2.9" CMOS	AF, Vari-focal (f=4.7 ~ 84.6mm)	Yes (ICR)	-	1 / 1	1 / 1	-	12VDC 24VAC PoE

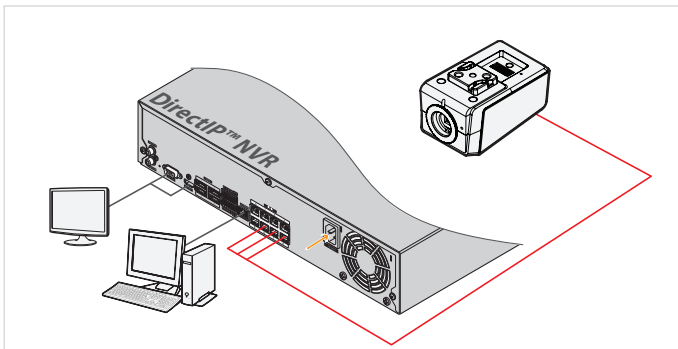
DC-B1001



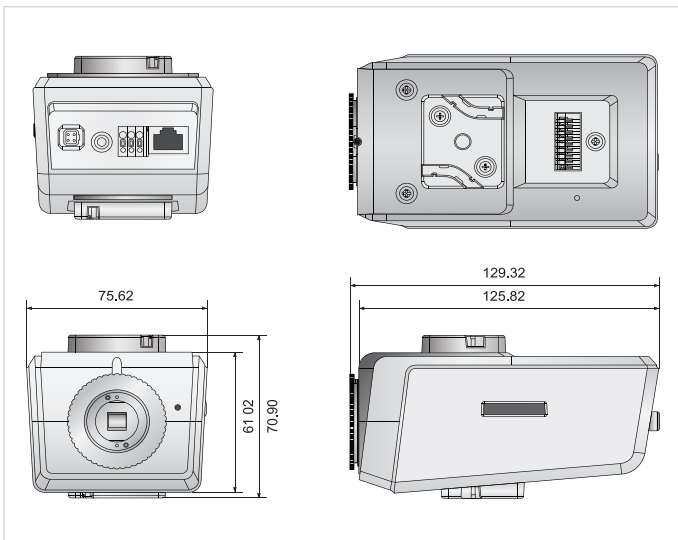
KEY FEATURES

- Easy installation with DirectIP™ NVR
- Supports 4CIF resolution
- PoE (IEEE 802.3af Class 2)
- Supports ONVIF™

CONNECTION DIAGRAM



DIMENSIONS



SPECIFICATIONS

VIDEO	
Max. Resolution	704x480
Image Sensor	1/4" CMOS
Scanning Mode	Progressive scan
Lens	Optional (C/S mount)
IRIS	DC IRIS / Manual iris
Min. Illumination (Colour, B/W)	Colour : 0.5 lux @ F1.4 (30 IRE), B/W : 0.5 lux @ F1.4 (30 IRE)
SNR	43dB
Dynamic Range	70dB (90dB@digital WDR)
Electronic Shutter Speed	Auto / Manual (1/30 ~ 1/8000) Anti-Flicker, Slow Shutter (1/7.5, 1/15)
Video Quality Compensation	Auto Expose, Auto White Balance, Digital Noise Reduction Backlight Compensation
Video Out	1 terminal block (NTSC/PAL Selectable)
NETWORK	
	DirectIP™ Mode Compatibility Mode
Compression	H.264 (MP), M-JPEG
Bitrate Control	H.264 - CBR / VBR (Up to 4Mbps)
Frame Rate	30ips @ 4CIF + 30ips @ 4CIF
Trigger Event	Motion detection, Tampering, Trip-zone
Event Buffering (Pre & Post)	Yes (Up to 60MB)
Event Notification	Remote S/W, Email (With Image)
IP Camera Protocol	DirectIP V1.0.0 IDIS V1.0.0 / ONVIF Profile S
Supports Resolutions	352x240, 640x360, 704x480 352x240, 704x480
Multi Streaming Video	Quadruple stream Triple stream
Network Protocols	Zero configuration RTP/RTSP/TCP RTP/RTSP/HTTP/TCP RTP/UDP RTSP/TCP HTTP, HTTPS, FTP, SNMP SMTP, FEN, mDNS, uPNP
Security	SSL Encryption Multi-User Authority, IEEE 802.1x IP Filtering, HTTPS, SSL Encryption
Remote Access Client	DirectIP™ NVR connection IDIS Discovery, IDIS Solution Suite Compact
INTERFACE	
Ethernet	RJ45 (10/100BASE-T)
GENERAL	
Dimensions (W x H x D)	75.62mm X 70.90mm X 129.32mm
Shipping Dimensions (W x H x D)	200mm X 115mm X 150mm
Unit Weight	0.4 kg
Shipping Weight	0.68 kg
Starting Temperature	-0°C - 50°C
Working Temperature	-10°C - 50°C
Operating Humidity	0% ~ 90%
Power Source	12VDC, PoE(IEEE 802.3af Class 2)
Power Consumption	4.8W
Approvals	FCC, CE (50130-4), KC

Optional Accessories



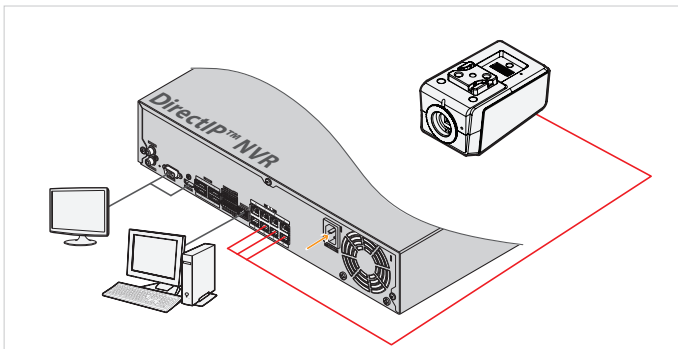
DC-B1101



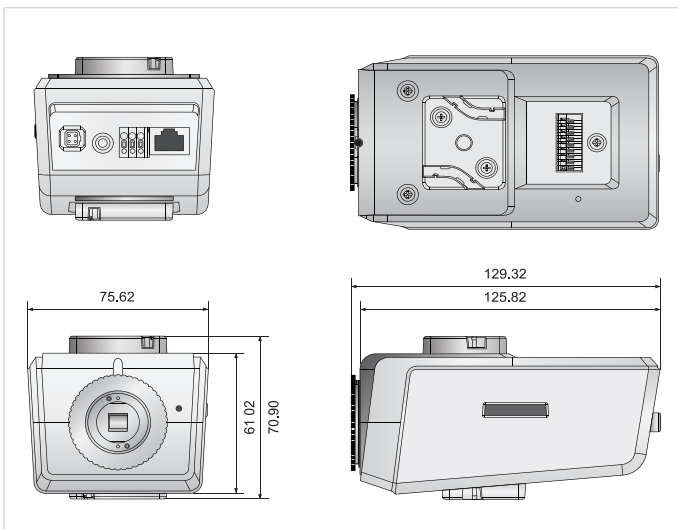
KEY FEATURES

- Easy installation with DirectIP™ NVR
- Supports 16:9 HD resolution
- PoE (IEEE 802.3af Class 2)
- Supports ONVIF™

CONNECTION DIAGRAM



DIMENSIONS



SPECIFICATIONS

VIDEO		
Max. Resolution	1280 x 720	
Image Sensor	1/2.7" CMOS	
Scanning Mode	Progressive scan	
Lens	Optional (C/S mount)	
IRIS	DC IRIS / Manual iris	
Min. Illumination (Colour, B/W)	Colour : 0.5 lux @ F1.4 (30 IRE), B/W : 0.5 lux @ F1.4 (30 IRE)	
SNR	40dB	
Dynamic Range	70dB (90dB@digital WDR)	
Electronic Shutter Speed	Auto / Manual (1/30 ~ 1/8000), Anti-Flicker, Slow Shutter (1/7.5, 1/15)	
Video Quality Compensation	Auto Expose, Auto White Balance, Digital Noise Reduction Backlight Compensation	
Video Out	1 terminal block (NTSC/PAL Selectable)	
NETWORK		
	DirectIP™ Mode	Compatibility Mode
Video Compression	H.264 (MP), M-JPEG	
Bitrate Control	H.264 - CBR / VBR (Up to 8Mbps)	
Frame Rate	30ips @ HD + 15ips @ HD	
Trigger Event	Motion detection, Tampering, Trip-zone	
Event Buffering (Pre & Post)	Yes (Up to 60MB)	
Event Notification	Remote S/W, Email (With Image)	
IP Camera Protocol	DirectIP V1.0.0	IDIS V1.0.0 / ONVIF Profile S
Supports Resolutions	352x240, 640x360 704x480 1280x720	352x240, 704x480 1280x720
Multi Streaming Video	Quadruple stream	Triple stream
Network Protocols	Zero configuration	RTP/RTSP/TCP RTP/RTSP/HTTP/TCP RTP/UDP RTSP/TCP HTTP, HTTPS, FTP, SNMP SMTP, FEN, mDNS, uPNP
Security	SSL Encryption	Multi-User Authority, IEEE 802.1x IP Filtering, HTTPS, SSL Encryption
Remote Access Client	DirectIP™ NVR connection	IDIS Discovery, IDIS Solution Suite Compact
INTERFACE		
Ethernet	RJ45 (10/100BASE-T)	
GENERAL		
Dimensions (W x H x D)	75.62mm X 70.90mm X 129.32mm	
Shipping Dimensions (W x H x D)	200mm X 115mm X 150mm	
Unit Weight	0.4 kg	
Shipping Weight	0.68 kg	
Starting Temperature	-0°C - 50°C	
Working Temperature	-10°C - 50°C	
Operating Humidity	0% ~ 90%	
Power Source	12VDC, PoE (IEEE 802.3af (class2))	
Power Consumption	4.8W	
Approvals	FCC, CE (50130-4), KC	

Optional Accessories



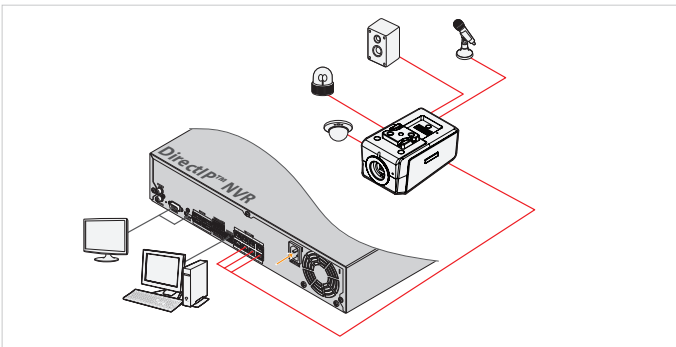
DC-B1103



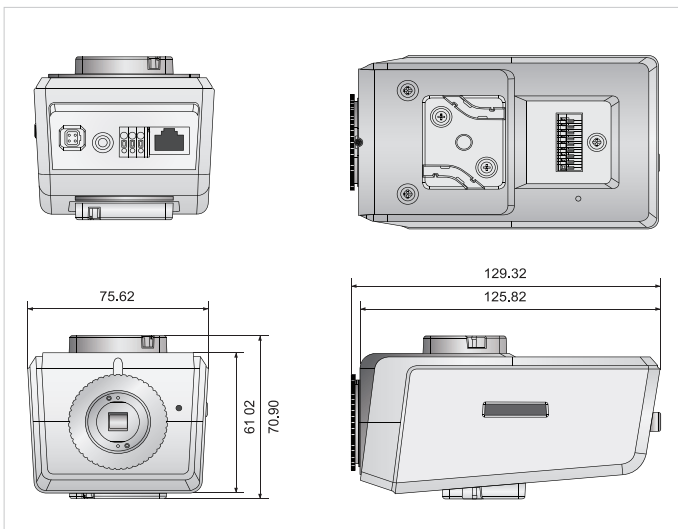
KEY FEATURES

- Easy installation with DirectIP™ NVR
- Supports 16:9 HD resolution
- PoE (IEEE 802.3af Class 2)
- Micro SD (HC)
- Two-way audio
- Alarm in / out
- Supports ONVIF™

CONNECTION DIAGRAM



DIMENSIONS



SPECIFICATIONS

VIDEO	
Max. Resolution	1280 x 720
Image Sensor	1/2.7" CMOS
Scanning Mode	Progressive scan
Lens	Optional (C/S mount)
IRIS	DC IRIS / Manual iris
Min. Illumination (Colour, B/W)	Colour : 0.5 lux @ F1.4 (30 IRE), B/W : 0.5 lux @ F1.4 (30 IRE)
SNR	40dB
Dynamic Range	70dB (90dB@digital WDR)
Electronic Shutter Speed	Auto / Manual (1/30 ~ 1/8000), Anti-Flicker, Slow Shutter (1/7.5,1/15)
True Day & Night	Yes (ICR)
Video Quality Compensation	Auto Expose, Auto White Balance, Digital Noise Reduction Backlight Compensation
Video Out	1 terminal block (NTSC/PAL Selectable)
NETWORK	
	DirectIP™ Mode Compatibility Mode
Video Compression	H.264 (MP), M-JPEG
Bitrate Control	H.264 - CBR / VBR (Up to 8Mbps)
Frame Rate	30ips @ HD + 15ips @ HD
Audio Compression	G.726, G.711
Two-way Audio	Yes
Trigger Event	Motion detection, Alarm in, Audio detection, Tampering, Trip-zone
Event Buffering (Pre & Post)	Yes (Up to 60MB)
Event Notification	Remote S/W, Email (With Image)
IP Camera Protocol	DirectIP™ V1.0.0
Supports Resolutions	352x240, 640x360, 704x480 1280x720
Multi Streaming Video	Quadruple stream Triple stream
Network Protocols	Zero configuration RTP/RTSP/TCP RTP/UDP RTSP/TCP HTTP, HTTPS, FTP, SNMP SMTP, FEN, mDNS, uPNP
Security	SSL Encryption Multi-User Authority, IEEE 802.1x IP Filtering, HTTPS, SSL Encryption
Remote Access Client	DirectIP™ NVR connection IDIS Discovery, IDIS Solution Suite Compact
INTERFACE	
Ethernet	RJ45 (10/100BASE-T)
Audio In / Out	1 (Line in) / 1 (Line out)
Alarm In / Out	1/1
External Storage	micro SD (SDHC)
GENERAL	
Dimensions (W x H x D)	75.62mm X 70.90mm X 129.32mm
Shipping Dimensions (W x H x D)	200mm X 115mm X 150mm
Unit Weight	0.4 kg
Shipping Weight	0.68 kg
Starting Temperature	0°C - 50°C
Working Temperature	-10°C - 50°C
Operating Humidity	0% ~ 90%
Power Source	12VDC, PoE (IEEE 802.3af(class2))
Power Consumption	4.8W
Approvals	FCC, CE (50130-4), KC

Optional Accessories



DA-WM1500

DA-BH1100

DA-SM1100

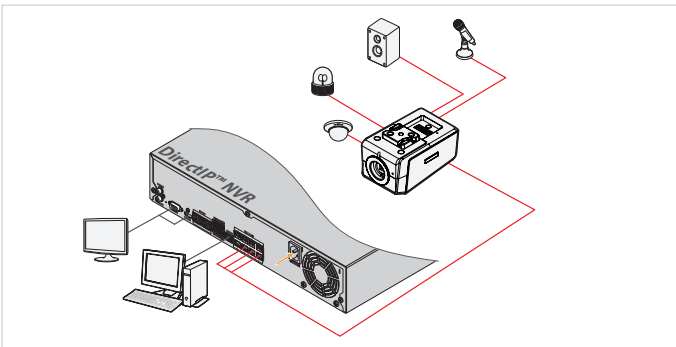
DC-B1203



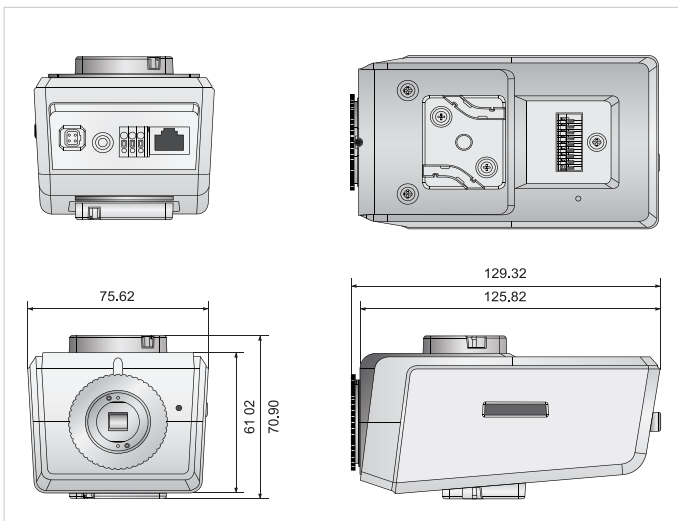
KEY FEATURES

- Easy installation with DirectIP™ NVR
- Supports 16:9 Full HD resolution
- PoE (IEEE 802.3af Class 2)
- Micro SD (HC)
- Two-way audio
- Alarm in / out
- Supports ONVIF™

CONNECTION DIAGRAM



DIMENSIONS



SPECIFICATIONS

VIDEO	
Max. Resolution	1920 x 1080
Image Sensor	1/2.7" CMOS
Scanning Mode	Progressive scan
Lens	Optional (C/S mount)
IRIS	DC IRIS / Manual iris
Min. Illumination (Colour, B/W)	Colour : 0.5 lux @ F1.4 (30 IRE) B/W : 0.5lux @ F1.4 (30 IRE)
SNR	40dB
Dynamic Range	70dB (90dB@digital WDR)
Electronic Shutter Speed	Auto / Manual (1/30 ~ 1/8000), Anti-Flicker, Slow Shutter (1/7.5,1/15)
True Day & Night	Yes (ICR)
Video Quality Compensation	Auto Expose, Auto White Balance, Digital Noise Reduction Backlight Compensation
Video Out	1 terminal block (NTSC/PAL Selectable)
NETWORK	
	DirectIP™ Mode Compatibility Mode
Video Compression	H.264 (MP), M-JPEG
Bitrate Control	H.264 - CBR / VBR (Up to 12Mbps)
Frame Rate	30ips @ Full HD + 30ips @ 4CIF
Audio Compression	G.726, G.711
Two-way Audio	Yes
Trigger Event	Motion detection, Alarm in, Audio detection, Tampering, Trip-zone
Event Buffering (Pre & Post)	Yes (Up to 60MB)
Event Notification	Remote S/W, Email (With Image)
IP Camera Protocol	DirectIP V1.0.0
Supports Resolutions	352x240, 640x360, 704x480 IDIS V1.0.0 / ONVIF Profile S 1280x720, 1920 x 1080 352x240, 704x480 1280x720, 1920 x 1080
Multi Streaming Video	Quadruple stream Triple stream
Network Protocols	Zero configuration RTP/RTSP/TCP RTP/UDP RTSP/TCP HTTP, HTTPS, FTP, SNMP SMTP, FEN, mDNS, uPNP
Security	SSL Encryption Multi-User Authority, IEEE 802.1x IP Filtering, HTTPS, SSL Encryption
Remote Access Client	DirectIP™ NVR connection IDIS Discovery, IDIS Solution Suite Compact
INTERFACE	
Ethernet	RJ45 (10/100BASE-T)
Audio In / Out	1 (Line in) / 1 (Line out)
Alarm In / Out	1/1
External Storage	micro SD (SDHC)
GENERAL	
Dimensions (W x H x D)	75.62mm X 70.90mm X 129.32mm
Shipping Dimensions (W x H x D)	200mm X 115mm X 150mm
Unit Weight	0.4 kg
Shipping Weight	0.68 kg
Starting Temperature	0°C - 50°C
Working Temperature	-10°C - 50°C
Operating Humidity	0% ~ 90%
Power Source	12VDC, PoE(IEEE 802.3af(class2))
Power Consumption	4.8W
Approvals	FCC, CE (50130-4), KC

Optional Accessories



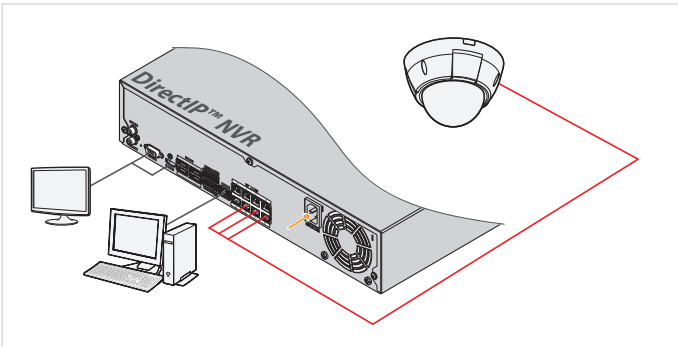
DC-D1011



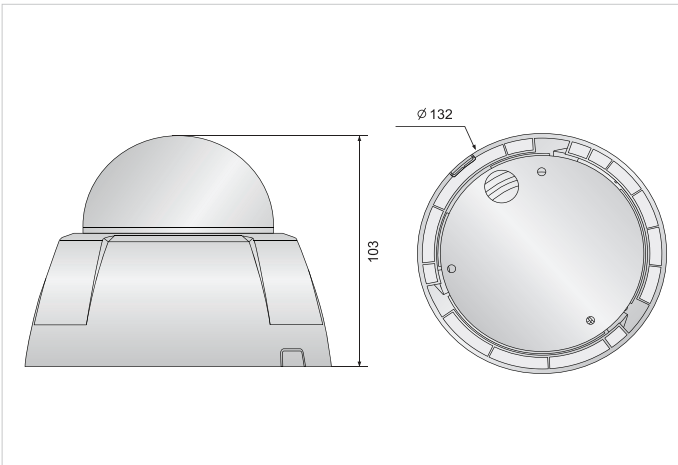
KEY FEATURES

- Easy installation with DirectIP™ NVR
- Supports 4CIF resolution
- 3-axis mechanical design for installation
- PoE (IEEE 802.3af Class 2)
- Supports ONVIF™

CONNECTION DIAGRAM



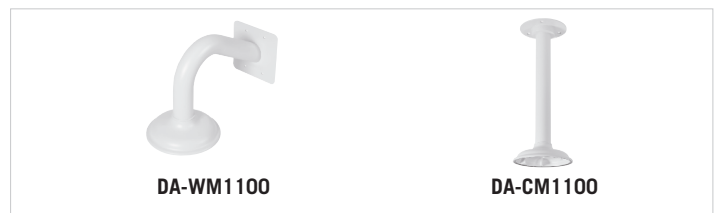
DIMENSIONS



SPECIFICATIONS

VIDEO		
Max. Resolution	704x480	
Image Sensor	1/4" CMOS	
Scanning Mode	Progressive scan	
Lens	Fixed-focal (f = 3.8mm, F2.0)	
IRIS	Fixed IRIS	
Viewing Angle	57°(H), 30°(V), 63°(D)	
Pan/Tilt Range	Pan: -167° ~ 167°, / Tilt: -64° ~ 64°	
Min. Illumination (Colour, B/W)	Colour : 0.5 lux @F1.4 (30 IRE), B/W : 0.5 lux @F1.4 (30 IRE)	
Min. object Distance	0.4m	
SNR	48dB	
Dynamic Range	70dB (90dB@digital WDR)	
Electronic Shutter Speed	Auto / Manual (1/30 - 1/8000), Anti-Flicker, Slow Shutter (1/7.5,1/15)	
Video Quality Compensation	Auto Expose, Auto White Balance, Digital Noise Reduction Backlight Compensation	
Video Out	1 terminal block (NTSC/PAL Selectable)	
NETWORK		
	DirectIP™ Mode	Compatibility Mode
Video Compression	H.264 (MP), M-JPEG	
Bitrate Control	H.264 - CBR / VBR (up to 4Mbps)	
Frame Rate	30ips @ 4CIF + 30ips @4CIF	
Trigger Event	Motion detection, Tampering, Trip-zone	
Privacy Masking	Yes	
Event Buffering (Pre & Post)	Yes (Up to 60MB)	
Event Notification	Remote S/W, Email (With Image)	
IP Camera Protocol	DirectIP V1.0.0	IDIS V1.0.0 / ONVIF Profile S
Supports Resolutions	352x240, 640x360, 704x480	352x240, 704x480
Multi Streaming Video	Quadruple stream	Triple stream
Network Protocols	Zero configuration	RTP/RTSP/TCP RTP/UDP RTSP/TCP HTTP, HTTPS, FTP, SNMP SMTP, FEN, mDNS, uPNP
Security	SSL Encryption	Multi-User Authority, IEEE 802.1x IP Filtering, HTTPS, SSL Encryption
Remote Access Client	DirectIP™ NVR connection	IDIS Discovery, IDIS Solution Suite Compact
INTERFACE		
Ethernet	RJ45 (10/100BASE-T)	
GENERAL		
Unit Dimensions (Ø x H)	132mm x 112mm	
Shipping Dimensions (W x H x D)	225mm X 275mm X 215mm	
Unit Weight	0.35 kg	
Shipping Weight	0.53 kg	
Starting Temperature	0 - 50°C	
Working Temperature	-10 - 50°C	
Operating Humidity	0% ~ 90%	
Power Source	12VDC, PoE (IEEE802.3af class 2)	
Power Consumption	4.8W	
Approvals	FCC, CE (50130-4), KC	

Optional Accessories



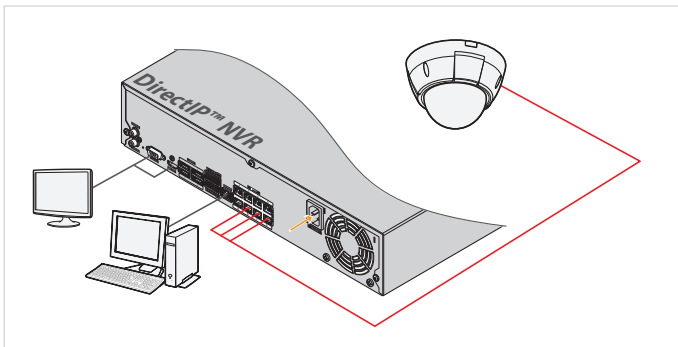
DC-D1022W



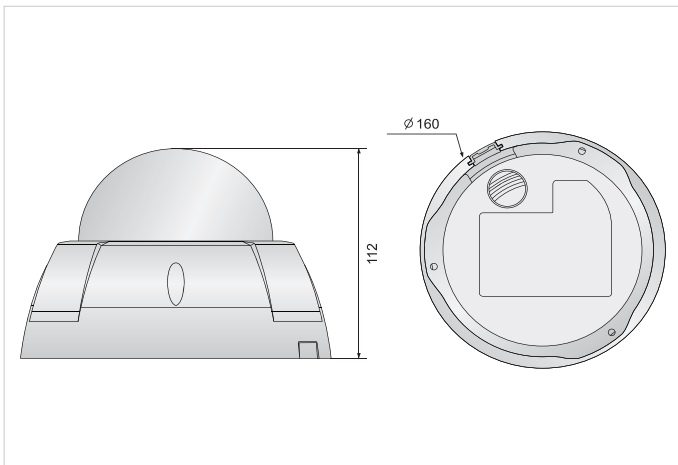
KEY FEATURES

- Easy installation with DirectIP™ NVR
- Supports 4CIF resolution
- Vari-focal lens (f= 3.3 ~ 12mm)
- 3-axis mechanical design for installation
- PoE (IEEE 802.3af Class 2)
- Outdoor ready with IP66
- Supports ONVIF™

CONNECTION DIAGRAM



DIMENSIONS



SPECIFICATIONS

VIDEO		
Max. Resolution	704x480	
Image Sensor	1/4" CMOS	
Scanning Mode	Progressive scan	
Lens	Vari-focal (f= 3.3 - 12mm, F1.4 - 2.9)	
IRIS	DC iris	
Viewing Angle	Wide : 70°(H), 36°(V), 82°(D) / Tele : 20°(H), 10°(V), 23°(D)	
Pan/Tilt Range	Pan: -167° ~ 167°, / Tilt: -67° ~ 67°	
Min. Illumination (Colour, B/W)	Colour : 0.5 lux @ F1.4 (30 IRE) , B/W : 0.5 lux @ F1.6 (30 IRE)	
Min. object Distance	0.5m	
SNR	41dB	
Dynamic Range	70dB (90dB@digital WDR)	
Electronic Shutter Speed	Auto / Manual (1/30 ~ 1/8000), Anti-Flicker, Slow Shutter (1/7.5,1/15)	
True Day & Night	Yes (ICR)	
Video Quality Compensation	Auto Expose, Auto White Balance, Digital Noise Reduction Backlight Compensation	
Video Out	1 terminal block (NTSC/PAL Selectable)	
NETWORK		
	DirectIP™ Mode	Compatibility Mode
Video Compression	H.264 (MP), M-JPEG	
Bitrate Control	H.264 - CBR / VBR (Up to 4Mbps)	
Frame Rate	30ips @ 4CIF + 30ips @4CIF	
Trigger Event	Motion detection, Tampering, Trip-zone	
Privacy Masking	Yes	
Event Buffering (Pre & Post)	Yes (Up to 60MB)	
Event Notification	Remote S/W, Email (With Image)	
IP Camera Protocol	DirectIP™ V1.0.0	IDIS V1.0.0 / ONVIF Profile S
Supports Resolutions	352x240, 640x360, 704x480	352x240, 704x480
Multi Streaming Video	Quadruple stream	Triple stream
Network Protocols	Zero configuration	RTP/RTSP/TCP RTP/RTSP/HTTP/TCP RTP/UDP RTSP/TCP HTTP, HTTPS, FTP, SNMP SMTP, FEN, mDNS, uPNP
Security	SSL Encryption	Multi-User Authority, IEEE 802.1x IP Filtering, HTTPS, SSL Encryption
Remote Access Client	DirectIP™ NVR connection	IDIS Discovery, IDIS Solution Suite Compact
INTERFACE		
Ethernet	RJ45 (10/100BASE-T)	
GENERAL		
Vandal-proof Casing	Yes	
Outdoor Ready	IP66	
Unit Dimensions (Ø x H)	159mm x 112mm	
Shipping Dimensions (W x H x D)	225mm X 275mm X 215mm	
Unit Weight	0.87 kg	
Shipping Weight	1.18 kg	
Starting Temperature	0 - 50°C	
Working Temperature	-10 - 50°C	
Operating Humidity	0% ~ 90%	
Power Source	12VDC, PoE (IEEE802.3af class 2)	
Power Consumption	4.8W	
Approvals	FCC, CE (50130-4), KC	

Optional Accessories



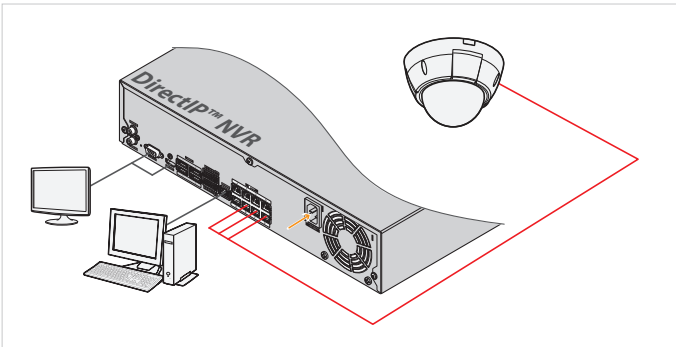
DC-D1022WR



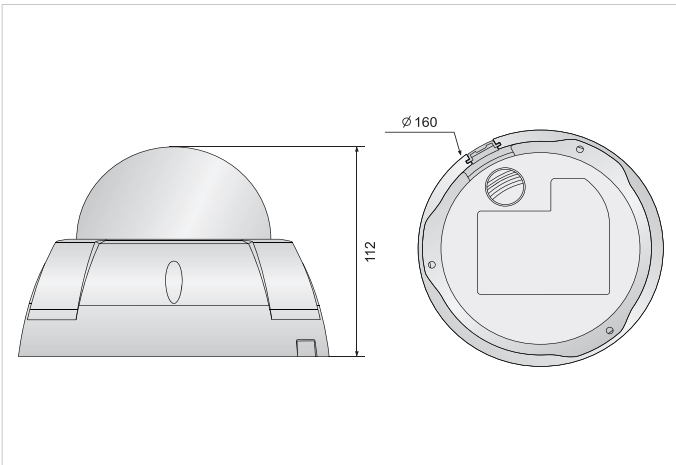
KEY FEATURES

- Easy installation with DirectIP™ NVR
- Supports 4CIF resolution
- Vari-focal lens (f= 3.3 ~ 12mm)
- 3-axis mechanical design for installation
- PoE (IEEE 802.3af Class 2)
- IR LED
- Outdoor ready with IP66
- Supports ONVIF™

CONNECTION DIAGRAM



DIMENSIONS



SPECIFICATIONS

VIDEO		
Max. Resolution	704x480	
Image Sensor	1/4" CMOS	
Scanning Mode	Progressive scan	
Lens	Vari-focal (f= 3.3 - 12mm, F1.4 - 2.9)	
IRIS	DC iris	
Viewing Angle	Wide : 70°(H), 36°(V), 82°(D) / Tele : 20°(H), 10°(V), 23°(D)	
Pan/Tilt Range	Pan: -167° ~ 167°, / Tilt: -67° ~ 67°	
Min. Illumination (Colour, B/W)	Colour : 0.5 lux @ F1.4 (30 IRE) , B/W : 0 lux (IR LED ON)	
Min. object Distance	0.5m	
SNR	41dB	
Dynamic Range	70dB (90dB@digital WDR)	
Electronic Shutter Speed	Auto / Manual (1/30 ~ 1/8000), Anti-Flicker, Slow Shutter (1/7.5,1/15)	
True Day & Night	Yes (ICR)	
Video Quality Compensation	Auto Expose, Auto White Balance, Digital Noise Reduction Backlight Compensation	
Video Out	1 terminal block (NTSC/PAL Selectable)	
NETWORK		
	DirectIP™ Mode	Compatibility Mode
Video Compression	H.264 (MP), M-JPEG	
Bitrate Control	H.264 - CBR / VBR (Up to 4Mbps)	
Frame Rate	30ips @4CIF + 30ips @ 4CIF	
Trigger Event	Motion detection, Tampering, Trip-zone	
Privacy Masking	Yes	
Event Buffering (Pre & Post)	Yes (Up to 60MB)	
Event Notification	Remote S/W, Email (With Image)	
IP Camera Protocol	DirectIP™ V1.0.0	IDIS V1.0.0 / ONVIF Profile S
Supports Resolutions	352x240, 640x360, 704x480	352x240, 704x480
Multi Streaming Video	Quadruple stream	Triple stream
Network Protocols	Zero configuration	RTP/RTSP/TCP RTP/RTSP/HTTP/TCP RTP/UDP RTSP/TCP HTTP, HTTPS, FTP, SNMP SMTP, FEN, mDNS, uPNP
Security	SSL Encryption	Multi-User Authority, IEEE 802.1x IP Filtering, HTTPS, SSL Encryption
Remote Access Client	DirectIP™ NVR connection	IDIS Discovery, IDIS Solution Suite Compact
INTERFACE		
Ethernet	RJ45 (10/100BASE-T)	
GENERAL		
Vandal-proof Casing	Yes	
Outdoor Ready	IP66	
Unit Dimensions (ø x H)	159mm x 112mm	
Shipping Dimensions (W x H x D)	225mm X 275mm X 215mm	
Unit Weight	0.87 kg	
Shipping Weight	1.18 kg	
Starting Temperature	0°C - 50°C	
Working Temperature	-10°C - 50°C	
Operating Humidity	0% ~ 90%	
Power Source	12VDC, PoE (IEEE802.3af class 2)	
Power Consumption	4.8W	
Approvals	FCC, CE (50130-4), KC	

Optional Accessories



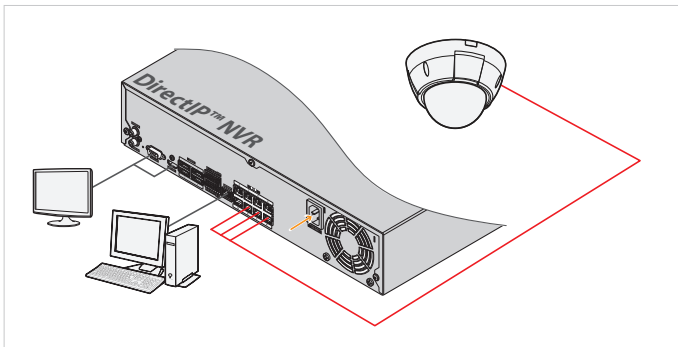
DC-D1111



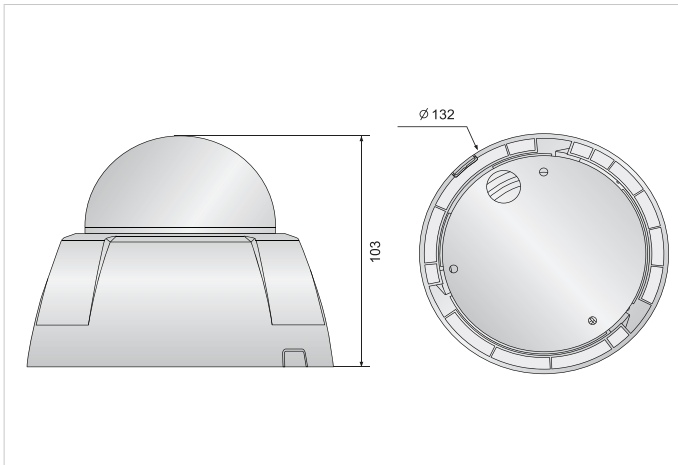
KEY FEATURES

- Easy installation with DirectIP™ NVR
- Supports 16:9 HD resolution
- 3-axis mechanical design for installation
- PoE (IEEE 802.3af Class 2)
- Supports ONVIF™

CONNECTION DIAGRAM



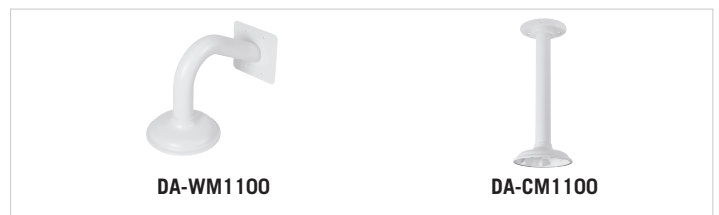
DIMENSIONS



SPECIFICATIONS

VIDEO		
Max. Resolution	1280x720	
Image Sensor	1/2.7" CMOS	
Scanning Mode	Progressive scan	
Lens	Fixed-focal (f= 4.0mm, F2.0)	
IRIS	Fixed iris	
Viewing Angle	88°(H), 48°(V), 100°(D)	
Pan/Tilt Range	Pan: -167° ~ 167° / Tilt: -64° ~ 64°	
Min. Illumination (Colour, B/W)	Colour : 0.5 lux @ F2.0 (30 IRE), B/W : 0.5 lux @ F2.0 (30 IRE)	
Min. object Distance	0.5m	
SNR	42dB	
Dynamic Range	70dB (90dB@digital WDR)	
Electronic Shutter Speed	Auto / Manual (1/30 ~ 1/8000), Anti-Flicker, Slow Shutter (1/7.5, 1/15)	
Video Quality Compensation	Auto Expose, Auto White Balance, Digital Noise Reduction Backlight Compensation	
Video Out	1 terminal block (NTSC/PAL Selectable)	
NETWORK		
	DirectIP™ Mode	Compatibility Mode
Video Compression	H.264 (MP), M-JPEG	
Bitrate Control	H.264 - CBR / VBR (Up to 8Mbps)	
Frame Rate	30ips @ HD + 15ips @HD	
Trigger Event	Motion detection, Tampering, Trip-zone	
Privacy Masking	Yes	
Event Buffering (Pre & Post)	Yes (Up to 60MB)	
Event Notification	Remote S/W, Email (With Image)	
IP Camera Protocol	DirectIP™ V1.0.0	IDIS V1.0.0 / ONVIF Profile S
Supports Resolutions	352x240, 640x360, 704x480 1280x720	352x240, 704x480 1280x720
Multi Streaming Video	Quadruple stream	Triple stream
Network Protocols	Zero configuration	RTP/RTSP/TCP RTP/RTSP/HTTP/TCP RTP/UDP RTSP/TCP HTTP, HTTPS, FTP, SNMP SMTP, FEN, mDNS, uPNP
Security	SSL Encryption	Multi-User Authority, IEEE 802.1x IP Filtering, HTTPS, SSL Encryption
Remote Access Client	DirectIP™ NVR connection	IDIS Discovery, IDIS Solution Suite Compact
INTERFACE		
Ethernet	RJ45 (10/100BASE-T)	
GENERAL		
Unit Dimensions (Ø x H)	132mm x 112mm	
Shipping Dimensions (W x H x D)	225mm X 275mm X 215mm	
Unit Weight	0.35 kg	
Shipping Weight	0.68 kg	
Starting Temperature	0 - 50°C	
Working Temperature	-10 - 50°C	
Operating Humidity	0% ~ 90%	
Power Source	12VDC, PoE (IEEE802.3af class 2)	
Power Consumption	4.8W	
Approvals	FCC, CE (50130-4), KC	

Optional Accessories



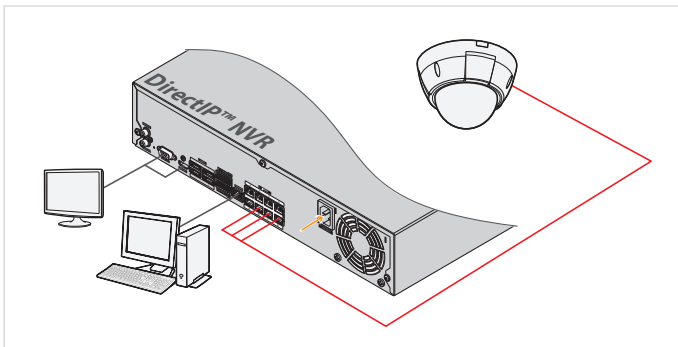
DC-D1122



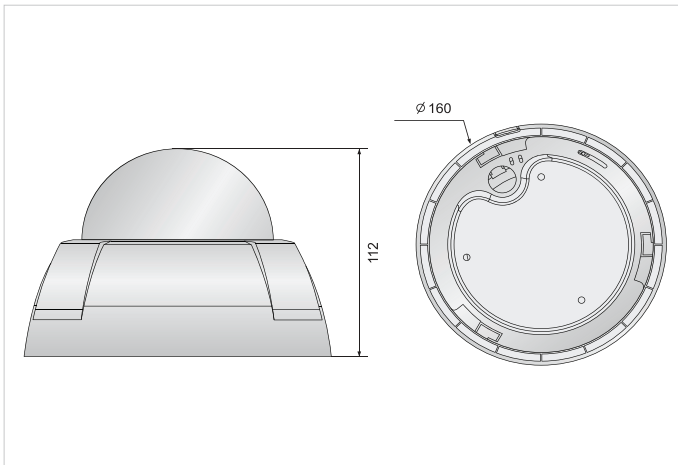
KEY FEATURES

- Easy installation with DirectIP™ NVR
- Supports 16:9 HD resolution
- Vari-focal lens (f= 3.3 ~ 12mm)
- 3-axis mechanical design for installation
- PoE (IEEE 802.3af Class 2)
- Supports ONVIF™

CONNECTION DIAGRAM



DIMENSIONS



SPECIFICATIONS

VIDEO		
Max. Resolution	1280x720	
Image Sensor	1/2.7" CMOS	
Scanning Mode	Progressive scan	
Lens	Vari-focal (f= 3.3 - 12mm, F1.4 - 2.9)	
IRIS	DC iris	
Viewing Angle	Wide : 109°(H), 56°(V), 122°(D) / Tele : 29°(H), 15°(V), 31°(D)	
Pan/Tilt Range	Pan: -167° ~ 167°, / Tilt: -67° ~ 67°	
Min. Illumination (Colour, B/W)	Colour : 0.5 lux @ F1.4 (30 IRE) , B/W : 0.5 lux @ F1.4 (30 IRE)	
Min. object Distance	0.5m	
SNR	42dB	
Dynamic Range	70dB (90dB@digital WDR)	
Electronic Shutter Speed	Auto / Manual (1/30 ~ 1/8000), Anti-Flicker, Slow Shutter (1/7.5,1/15)	
True Day & Night	Yes (ICR)	
Video Quality Compensation	Auto Expose, Auto White Balance, Digital Noise Reduction Backlight Compensation	
Video Out	1 terminal block (NTSC/PAL Selectable)	
NETWORK		
	DirectIP™ Mode	Compatibility Mode
Video Compression	H.264 (MP), M-JPEG	
Bitrate Control	H.264 - CBR / VBR (Up to 8Mbps)	
Frame Rate	30ips @ HD + 15ips @HD	
Trigger Event	Motion detection, Tampering, Trip-zone	
Privacy Masking	Yes	
Event Buffering (Pre & Post)	Yes (Up to 60MB)	
Event Notification	Remote S/W, Email (With Image)	
IP Camera Protocol	DirectIP™ V1.0.0	IDIS V1.0.0 / ONVIF Profile S
Supports Resolutions	352x240, 640x360, 704x480	352x240, 704x480
	1280x720	1280x720
Multi Streaming Video	Quadruple stream	Triple stream
Network Protocols	Zero configuration	
	RTP/RTSP/TCP	
	RTP/RTSP/HTTP/TCP	
	RTP/UDP RTSP/TCP	
	HTTP, HTTPS, FTP, SNMP	
Security	SSL Encryption	Multi-User Authority, IEEE 802.1x
		IP Filtering, HTTPS, SSL Encryption
Remote Access Client	DirectIP™ NVR connection	IDIS Discovery, IDIS Solution Suite Compact
INTERFACE		
Ethernet	RJ45 (10/100BASE-T)	
GENERAL		
Unit Dimensions (Ø x H)	159mm x 112mm	
Shipping Dimensions (W x H x D)	225mm X 275mm X 215mm	
Unit Weight	0.51 kg	
Shipping Weight	0.82 kg	
Starting Temperature	0 - 50°C	
Working Temperature	-10 - 50°C	
Operating Humidity	0% ~ 90%	
Power Source	12VDC, PoE (IEEE802.3af class 2)	
Power Consumption	4.8W	
Approvals	FCC, CE (50130-4), KC	

Optional Accessories



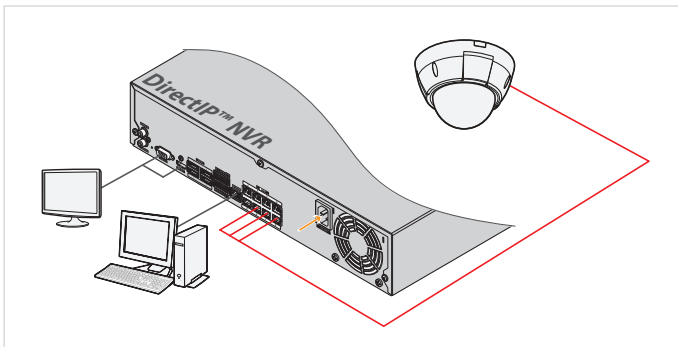
DC-D1122R



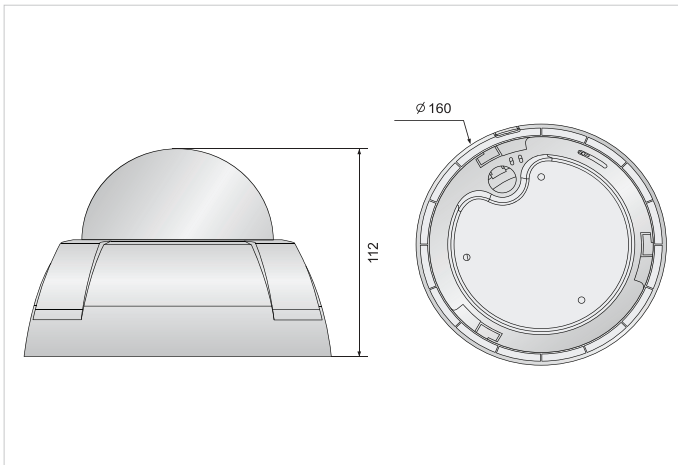
KEY FEATURES

- Easy installation with DirectIP™ NVR
- Supports 16:9 HD resolution
- Vari-focal lens(3.3 ~ 12mm)
- 3-axis mechanical design for installation
- PoE (IEEE 802.3af Class 2)
- IR LED
- Supports ONVIF™

CONNECTION DIAGRAM



DIMENSIONS



SPECIFICATIONS

VIDEO	
Max. Resolution	1280x720
Image Sensor	1/2.7" CMOS
Scanning Mode	Progressive scan
Lens	Vari-focal (f= 3.3 - 12mm, F1.4 - 2.9)
IRIS	DC iris
Viewing Angle	Wide : 109°(H), 56°(V), 122°(D) / Tele : 29°(H), 15°(V), 31°(D)
Pan/Tilt Range	Pan: -167° ~ 167°, / Tilt: -67° ~ 67°
Min. Illumination (Colour, B/W)	Colour : 0.5 lux @ F1.6 (30 IRE) , B/W : 0 lux(IR LED ON)
Min. object Distance	0.5m
SNR	42dB
Dynamic Range	70dB (90dB@digital WDR)
Electronic Shutter Speed	Auto / Manual (1/30 ~ 1/8000), Anti-Flicker, Slow Shutter (1/7.5,1/15)
True Day & Night	Yes (ICR)
Video Quality Compensation	Auto Expose, Auto White Balance, Digital Noise Reduction Backlight Compensation
Video Out	1 terminal block (NTSC/PAL Selectable)
NETWORK	
	DirectIP™ Mode Compatibility Mode
Video Compression	H.264 (MP), M-JPEG
Bitrate Control	H.264 - CBR / VBR (Up to 8Mbps)
Frame Rate	30ips @ HD + 15ips @ HD
Trigger Event	Motion detection, Tampering, Trip-zone
Privacy Masking	Yes
Event Buffering (Pre & Post)	Yes (Up to 60M)
Event Notification	Remote S/W, Email (With Image)
IP Camera Protocol	DirectIP™ V1.0.0 IDIS V1.0.0 / ONVIF Profile S
Supports Resolutions	352x240, 640x360, 704x480 352x240, 704x480 1280x720 1280x720
Multi Streaming Video	Quadruple stream Triple stream
Network Protocols	Zero configuration RTP/RTSP/TCP RTP/RTSP/HTTP/TCP RTP/UDP RTSP/TCP HTTP, HTTPS, FTP, SNMP SMTP, FEN, mDNS, uPNP
Security	SSL Encryption Multi-User Authority, IEEE 802.1x IP Filtering, HTTPS, SSL Encryption
Remote Access Client	DirectIP™ NVR connection IDIS Discovery, IDIS Solution Suite Compact
INTERFACE	
Ethernet	RJ45 (10/100BASE-T)
GENERAL	
Unit Dimensions (Ø x H)	159mm x 112mm
Shipping Dimensions (W x H x D)	225mm X 275mm X 215mm
Unit Weight	0.51 kg
Shipping Weight	0.82 kg
Starting Temperature	0°C - 50°C
Working Temperature	-10°C - 50°C
Operating Humidity	0% ~ 90%
Power Source	12VDC, PoE (IEEE802.3af class 2)
Power Consumption	4.8W
Approvals	FCC, CE (50130-4), KC

Optional Accessories



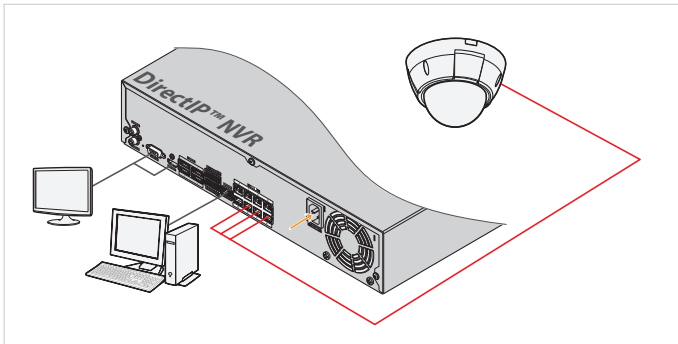
DC-D1122V



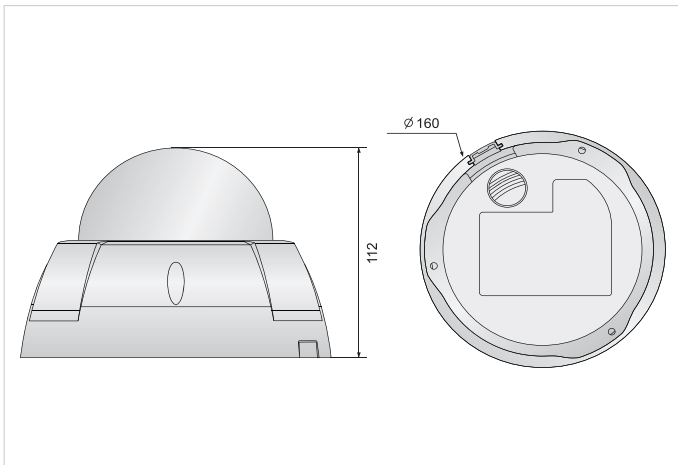
KEY FEATURES

- Easy installation with DirectIP™ NVR
- Supports 16:9 HD resolution
- Vari-focal lens (f= 3.3 ~ 12mm)
- 3-axis mechanical design for installation
- PoE (IEEE 802.3af Class 2)
- Vandal-Proof Casing
- Supports ONVIF™

CONNECTION DIAGRAM



DIMENSIONS



SPECIFICATIONS

VIDEO		
Max. Resolution	1280x720	
Image Sensor	1/2.7" CMOS	
Scanning Mode	Progressive scan	
Lens	Vari-focal (f= 3.3 - 12mm, F1.4 - 2.9)	
IRIS	DC iris	
Viewing Angle	Wide : 109°(H), 56°(V), 122°(D) / Tele : 29°(H), 15°(V), 31°(D)	
Pan/Tilt Range	Pan: -167° ~ 167°, / Tilt: -67° ~ 67°	
Min. Illumination (Colour, B/W)	Colour : 0.5 lux @ F1.4 (30 IRE) , B/W : 0.05 lux @ F1.4 (30 IRE)	
Min. object Distance	0.5m	
SNR	42dB	
Dynamic Range	70dB (90dB@digital WDR)	
Electronic Shutter Speed	Auto / Manual (1/30 ~ 1/8000), Anti-Flicker, Slow Shutter (1/7.5,1/15)	
True Day & Night	Yes (ICR)	
Video Quality Compensation	Auto Expose, Auto White Balance, Digital Noise Reduction Backlight Compensation	
Video Out	1 terminal block (NTSC/PAL Selectable)	
NETWORK		
	DirectIP™ Mode	Compatibility Mode
Video Compression	H.264 (MP), M-JPEG	
Bitrate Control	H.264 - CBR / VBR (Up to 8Mbps)	
Frame Rate	30ips @ HD + 15ips @HD	
Trigger Event	Motion detection, Tampering, Trip-zone	
Privacy Masking	Yes	
Event Buffering (Pre & Post)	Yes (Up to 60MB)	
Event Notification	Remote S/W, Email (With Image)	
IP Camera Protocol	DirectIP™ V1.0.0	IDIS V1.0.0 / ONVIF Profile S
Supports Resolutions	352x240, 640x360, 704x480	352x240, 704x480
	1280x720	1280x720
Multi Streaming Video	Quadruple stream	Triple stream
Network Protocols	Zero configuration	
	RTP/RTSP/TCP	
	RTP/RTSP/HTTP/TCP	
	RTP/UDP RTSP/TCP	
	HTTP, HTTPS, FTP, SNMP	
Security	SSL Encryption	Multi-User Authority, IEEE 802.1x
		IP Filtering, HTTPS, SSL Encryption
	Remote Access Client	DirectIP™ NVR connection
INTERFACE		
Ethernet	RJ45 (10/100BASE-T)	
GENERAL		
Vandal-proof Casing	Yes	
Unit Dimensions (ø x H)	159mm x 112mm	
Shipping Dimensions (W x H x D)	225mm X 275mm X 215mm	
Unit Weight	0.87 kg	
Shipping Weight	1.18 kg	
Starting Temperature	0 - 50°C	
Working Temperature	-10 - 50°C	
Operating Humidity	0% ~ 90%	
Power Source	12VDC, PoE (IEEE802.3af class 2)	
Power Consumption	4.8W	
Approvals	FCC, CE (50130-4), KC	

Optional Accessories



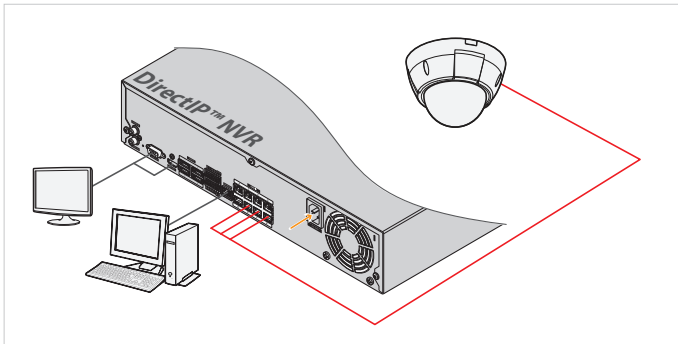
DC-D1122VR



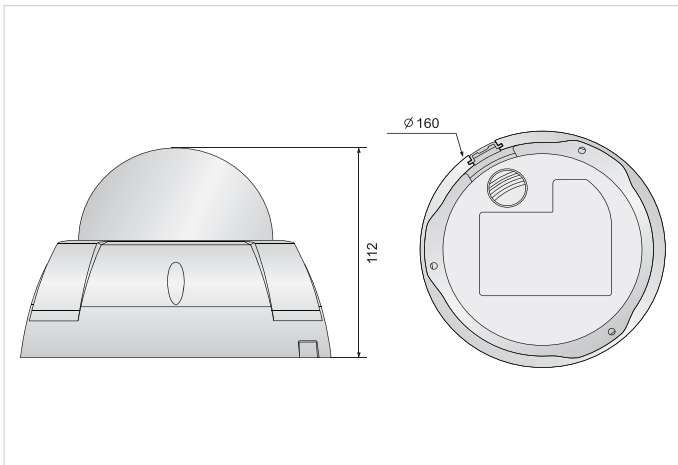
KEY FEATURES

- Easy installation with DirectIP™ NVRs
- Supports 16:9 HD resolution
- Vari-focal lens (f= 3.3 ~ 12mm)
- 3-axis mechanical design for installation
- PoE (IEEE 802.3af Class 2)
- IR LED
- Vandal-Proof Casing
- Supports ONVIF™

CONNECTION DIAGRAM



DIMENSIONS



SPECIFICATIONS

VIDEO		
Max. Resolution	1280x720	
Image Sensor	1/2.7" CMOS	
Scanning Mode	Progressive scan	
Lens	Vari-focal (f= 3.3 - 12mm, F1.4 - 2.9)	
IRIS	DC iris	
Viewing Angle	Wide : 109°(H), 56°(V), 122°(D) / Tele : 29°(H), 15°(V), 31°(D)	
Pan/Tilt Range	Pan: -167° ~ 167°, / Tilt: -67° ~ 67°	
Min. Illumination (Colour, B/W)	Colour : 0.5 lux @ F1.4 (30 IRE) , B/W : 0 lux (IR LED ON)	
Min. object Distance	0.5m	
SNR	42dB	
Dynamic Range	70dB (90dB@digital WDR)	
Electronic Shutter Speed	Auto / Manual (1/30 ~ 1/8000), Anti-Flicker, Slow Shutter (1/7.5,1/15)	
True Day & Night	Yes (ICR)	
Video Quality Compensation	Auto Expose, Auto White Balance, Digital Noise Reduction Backlight Compensation	
Video Out	1 terminal block (NTSC/PAL Selectable)	
NETWORK		
	DirectIP™ Mode	Compatibility Mode
Video Compression	H.264 (MP), M-JPEG	
Bitrate Control	H.264 - CBR / VBR (Up to 8Mbps)	
Frame Rate	30ips @ HD + 15ips @ HD	
Trigger Event	Motion detection, Tampering, Trip-zone	
Privacy Masking	Yes	
Event Buffering (Pre & Post)	Yes (Up to 60MB)	
Event Notification	Remote S/W, Email (With Image)	
IP Camera Protocol	DirectIP™ V1.0.0	IDIS V1.0.0 / ONVIF Profile S
Supports Resolutions	352x240, 640x360, 704x480	352x240, 704x480
	1280x720	1280x720
Multi Streaming Video	Quadruple stream	Triple stream
Network Protocols	Zero configuration	
	RTP/RTSP/TCP	
	RTP/RTSP/HTTP/TCP	
	RTP/UDP RTSP/TCP	
	HTTP, HTTPS, FTP, SNMP	
Security	SSL Encryption	Multi-User Authority, IEEE 802.1x
		IP Filtering, HTTPS, SSL Encryption
Remote Access Client	DirectIP™ NVR connection	IDIS Discovery, IDIS Solution Suite Compact
INTERFACE		
Ethernet	RJ45 (10/100BASE-T)	
GENERAL		
Vandal-proof Casing	Yes	
Unit Dimensions (Ø x H)	159mm x 112mm	
Shipping Dimensions (W x H x D)	225mm X 275mm X 215mm	
Unit Weight	0.87 kg	
Shipping Weight	1.18 kg	
Starting Temperature	0°C - 50°C	
Working Temperature	-10°C - 50°C	
Operating Humidity	0% ~ 90%	
Power Source	12VDC, PoE (IEEE802.3af class 2)	
Power Consumption	4.8W	
Approvals	FCC, CE (50130-4), KC	

Optional Accessories



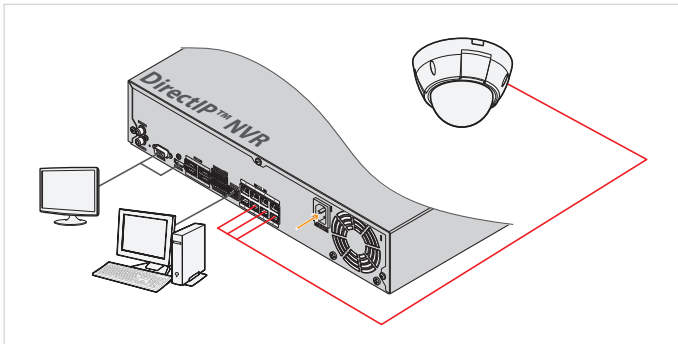
DC-D1122W



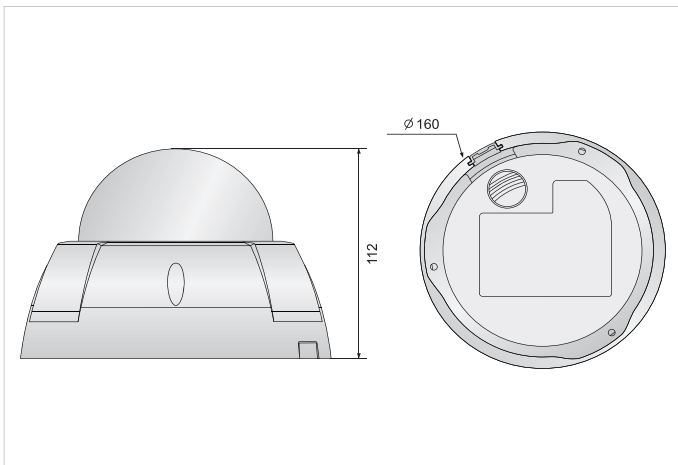
KEY FEATURES

- Easy installation with DirectIP™ NVR
- Supports 16:9 HD resolution
- Vari-focal lens (f= 3.3 ~ 12mm)
- 3-axis mechanical design for installation
- PoE (IEEE 802.3af Class 2)
- Outdoor ready with IP66
- Supports ONVIF™

CONNECTION DIAGRAM



DIMENSIONS



SPECIFICATIONS

VIDEO		
Max. Resolution	1280x720	
Image Sensor	1/2.7" CMOS	
Scanning Mode	Progressive scan	
Lens	Vari-focal (f= 3.3 - 12mm, F1.4 - 2.9)	
IRIS	DC iris	
Viewing Angle	Wide : 109°(H), 56°(V), 122°(D) / Tele : 29°(H), 15°(V), 31°(D)	
Pan/Tilt Range	Pan: -167° ~ 167°, / Tilt: -67° ~ 67°	
Min. Illumination (Colour, B/W)	Colour : 0.5 lux @ F1.6 (30 IRE) , B/W : 0.05lux @F1.6 (30 IRE)	
Min. object Distance	0.5m	
SNR	42dB	
Dynamic Range	70dB (90dB@digital WDR)	
Electronic Shutter Speed	Auto / Manual (1/30 ~ 1/8000), Anti-Flicker, Slow Shutter (1/7.5,1/15)	
True Day & Night	Yes (ICR)	
Video Quality Compensation	Auto Expose, Auto White Balance, Digital Noise Reduction Backlight Compensation	
Video Out	1 terminal block (NTSC/PAL Selectable)	
NETWORK		
	DirectIP™ Mode	Compatibility Mode
Video Compression	H.264 (MP), M-JPEG	
Bitrate Control	H.264 - CBR / VBR (Up to 8Mbps)	
Frame Rate	30ips @ HD + 15ips @HD	
Trigger Event	Motion detection, Tampering, Trip-zone	
Privacy Masking	Yes	
Event Buffering (Pre & Post)	Yes (Up to 60MB)	
Event Notification	Remote S/W, Email (With Image)	
IP Camera Protocol	DirectIP™ V1.0.0	IDIS V1.0.0 / ONVIF Profile S
Supports Resolutions	352x240, 640x360, 704x480	352x240, 704x480
	1280x720	1280x720
Multi Streaming Video	Quadruple stream	Triple stream
Network Protocols	Zero configuration	
	RTP/RTSP/TCP	
	RTP/RTSP/HTTP/TCP	
	RTP/UDP RTSP/TCP	
	HTTP, HTTPS, FTP, SNMP	
Security	SSL Encryption	Multi-User Authority, IEEE 802.1x
		IP Filtering, HTTPS, SSL Encryption
Remote Access Client	DirectIP™ NVR connection	IDIS Discovery, IDIS Solution Suite Compact
INTERFACE		
Ethernet	RJ45 (10/100BASE-T)	
GENERAL		
Vandal-proof Casing	Yes	
Outdoor Ready	IP66	
Unit Dimensions (Ø x H)	159mm x 112mm	
Shipping Dimensions (W x H x D)	225mm X 275mm X 215mm	
Unit Weight	0.87 kg	
Shipping Weight	1.18 kg	
Starting Temperature	0 - 50°C	
Working Temperature	-10 - 50°C	
Operating Humidity	0% ~ 90%	
Power Source	12VDC, PoE (IEEE802.3af class 2)	
Power Consumption	4.8W	
Approvals	FCC, CE (50130-4), KC	

Optional Accessories



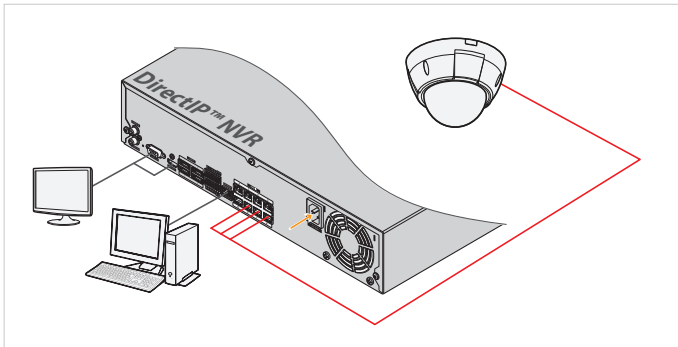
DC-D1122WR



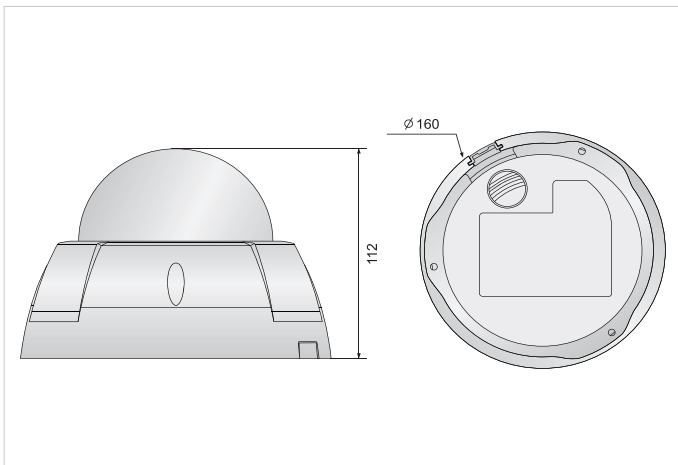
KEY FEATURES

- Easy installation with DirectIP™ NVR
- Supports 16:9 HD resolution
- Vari-focal lens (f= 3.3 ~ 12mm)
- 3-axis mechanical design for installation
- PoE (IEEE 802.3af Class 2)
- IR LED
- Outdoor ready with IP66
- Supports ONVIF™

CONNECTION DIAGRAM



DIMENSIONS



SPECIFICATIONS

VIDEO	
Max. Resolution	1280x720
Image Sensor	1/2.7" CMOS
Scanning Mode	Progressive scan
Lens	Vari-focal (f= 3.3 - 12mm, F1.4 - 2.9)
IRIS	DC iris
Viewing Angle	Wide : 109°(H), 56°(V), 122°(D) / Tele : 29°(H), 15°(V), 31°(D)
Pan/Tilt Range	Pan: -167° ~ 167°, / Tilt: -67° ~ 67°
Min. Illumination (Colour, B/W)	Colour : 0.5 lux @ F1.4 (30 IRE) , B/W : 0 lux (IR LED ON)
Min. object Distance	0.5m
SNR	42dB
Dynamic Range	70dB (90dB@digital WDR)
Electronic Shutter Speed	Auto / Manual (1/30 ~ 1/8000), Anti-Flicker, Slow Shutter (1/7.5,1/15)
True Day & Night	Yes (ICR)
Video Quality Compensation	Auto Expose, Auto White Balance, Digital Noise Reduction Backlight Compensation
Video Out	1 terminal block (NTSC/PAL Selectable)
NETWORK	
	DirectIP™ Mode Compatibility Mode
Video Compression	H.264 (MP), M-JPEG
Bitrate Control	H.264 - CBR / VBR (Up to 8Mbps)
Frame Rate	30ips @ HD + 15ips @ HD
Trigger Event	Motion detection, Tampering, Trip-zone
Privacy Masking	Yes
Event Buffering (Pre & Post)	Yes (Up to 60MB)
Event Notification	Remote S/W, Email (With Image)
IP Camera Protocol	DirectIP™ V1.0.0 IDIS V1.0.0 / ONVIF Profile S
Supports Resolutions	352x240, 640x360, 704x480 352x240, 704x480 1280x720 1280x720
Multi Streaming Video	Quadruple stream Triple stream
Network Protocols	Zero configuration RTP/RTSP/TCP RTP/RTSP/HTTP/TCP RTP/UDP RTSP/TCP HTTP, HTTPS, FTP, SNMP SMTP, FEN, mDNS, uPNP
Security	SSL Encryption Multi-User Authority, IEEE 802.1x IP Filtering, HTTPS, SSL Encryption
Remote Access Client	DirectIP™ NVR connection IDIS Discovery, IDIS Solution Suite Compact
INTERFACE	
Ethernet	RJ45 (10/100BASE-T)
GENERAL	
Vandal-proof Casing	Yes
Outdoor Ready	IP66
Unit Dimensions (Ø x H)	159mm x 112mm
Shipping Dimensions (W x H x D)	225mm X 275mm X 215mm
Unit Weight	0.87 kg
Shipping Weight	1.18 kg
Starting Temperature	0°C - 50°C
Working Temperature	-10°C - 50°C
Operating Humidity	0% ~ 90%
Power Source	12VDC, PoE (IEEE802.3af class 2)
Power Consumption	4.8W
Approvals	FCC, CE (50130-4), KC

Optional Accessories



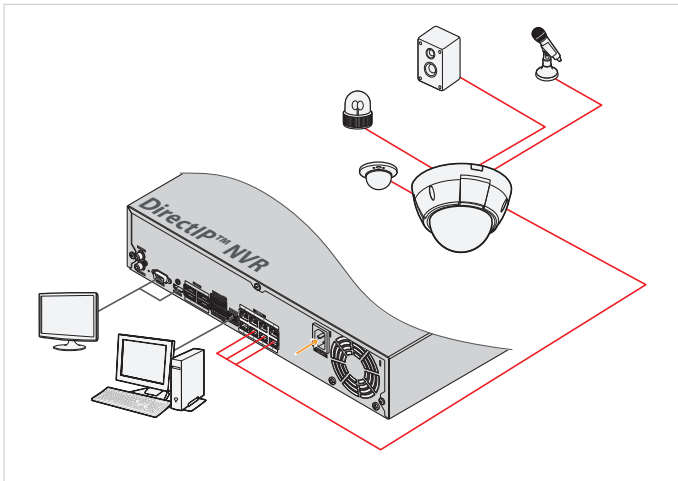
DC-D1123



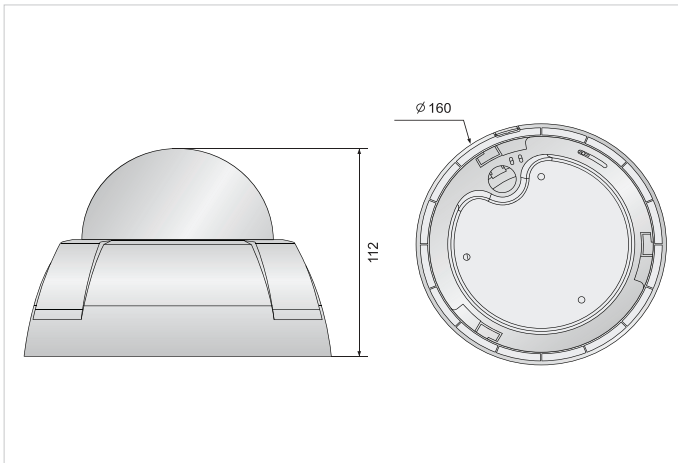
KEY FEATURES

- Easy installation with DirectIP™ NVR
- Supports 16:9 HD resolution
- Vari-focal lens (f= 3.3 ~ 12mm)
- 3-axis mechanical design for installation
- PoE (IEEE 802.3af Class 2)
- Two-way audio
- Alarm in / out
- Micro SD (HC)
- Supports ONVIF™

CONNECTION DIAGRAM



DIMENSIONS



SPECIFICATIONS

VIDEO		
Max. Resolution	1280x720	
Image Sensor	1/2.7" CMOS	
Scanning Mode	Progressive scan	
Lens	Vari-focal (f= 3.3 - 12mm, F1.4 - 2.9)	
IRIS	DC iris	
Viewing Angle	Wide : 109°(H), 56°(V), 122°(D) / Tele : 29°(H), 15°(V), 31°(D)	
Pan/Tilt Range	Pan: -167° ~ 167°, / Tilt: -67° ~ 67°	
Min. Illumination (Colour, B/W)	Colour : 0.5 lux @ F1.4 (30 IRE) , B/W : 0.5 lux @ F1.4 (30 IRE)	
Min. object Distance	0.5m	
SNR	42dB	
Dynamic Range	70dB (90dB@digital WDR)	
Electronic Shutter Speed	Auto / Manual (1/30 ~ 1/8000), Anti-Flicker, Slow Shutter (1/7.5,1/15)	
True Day & Night	Yes (ICR)	
Video Quality Compensation	Auto Expose, Auto White Balance, Digital Noise Reduction Backlight Compensation	
Video Out	1 terminal block (NTSC/PAL Selectable)	
NETWORK		
	DirectIP™ Mode	Compatibility Mode
Video Compression	H.264 (MP), M-JPEG	
Bitrate Control	H.264 - CBR / VBR (Up to 8Mbps)	
Frame Rate	30ips @ HD + 15ips @HD	
Audio Compression	G.726, G.711	
Two-way Audio	Yes	
Trigger Event	Motion detection, Alarm in, Audio detection, Tampering, Trip-zone	
Privacy Masking	Yes	
Event Buffering (Pre & Post)	Yes (Up to 60MB)	
Event Notification	Remote S/W, Email (With Image)	
IP Camera Protocol	DirectIP™ V1.0.0	
Supports Resolutions	352x240, 640x360, 704x480	IDIS V1.0.0 / ONVIF Profile S 352x240, 704x480
	1280x720	1280x720
Multi Streaming Video	Quadruple stream	Triple stream
Network Protocols	Zero configuration	
	RTP/RTSP/TCP	
	RTP/UDP RTSP/TCP	
	HTTP, HTTPS, FTP, SNMP	
	SMTP, FEN, mDNS, uPNP	
Security	SSL Encryption	
	Multi-User Authority, IEEE 802.1x	
	IP Filtering, HTTPS, SSL Encryption	
Remote Access Client	DirectIP™ NVR connection	IDIS Discovery, IDIS Solution Suite Compact
INTERFACE		
Ethernet	RJ45 (10/100BASE-T)	
Audio In / Out	1 (Line in) / 1 (Line out)	
Alarm In / Out	1/1	
External Storage	micro SD (SDHC)	
GENERAL		
Unit Dimensions (Ø x H)	159mm x 112mm	
Shipping Dimensions (W x H x D)	225mm X 275mm X 215mm	
Unit Weight	0.51 kg	
Shipping Weight	0.82 kg	
Starting Temperature	0 - 50°C	
Working Temperature	-10 - 50°C	
Operating Humidity	0% ~ 90%	
Power Source	12VDC, PoE (IEEE802.3af class 2)	
Power Consumption	4.8W	
Approvals	FCC, CE (50130-4), KC	

Optional Accessories



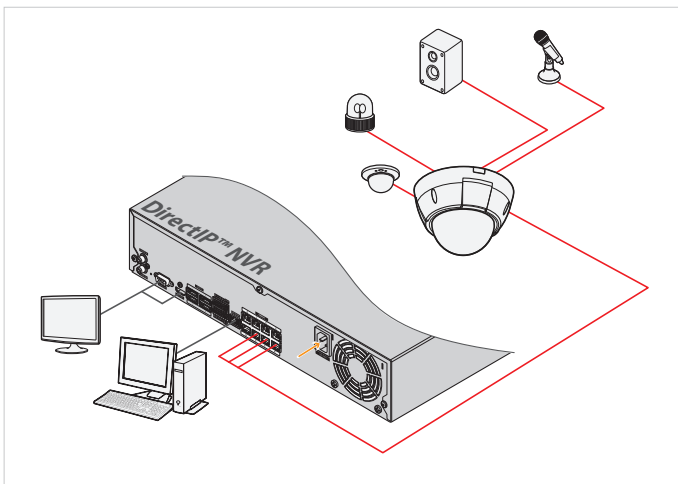
DC-D1123R



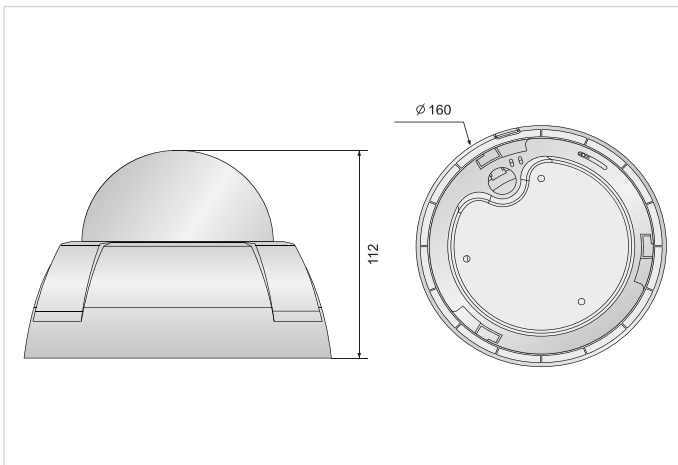
KEY FEATURES

- Easy installation with DirectIP™ NVR
- Supports 16:9 HD resolution
- Vari-focal lens (f= 3.3 ~ 12mm)
- 3-axis mechanical design for installation
- PoE (IEEE 802.3af Class 2)
- IR LED
- Two-way audio
- Alarm in / out
- Micro SD (HC)
- Supports ONVIF™

CONNECTION DIAGRAM



DIMENSIONS



SPECIFICATIONS

VIDEO	
Max. Resolution	1280x720
Image Sensor	1/2.7" CMOS
Scanning Mode	Progressive scan
Lens	Vari-focal (f= 3.3 - 12mm, F1.4 - 2.9)
IRIS	DC iris
Viewing Angle	Wide : 109°(H), 56°(V), 122°(D) / Tele : 29°(H), 15°(V), 31°(D)
Pan/Tilt Range	Pan: -167° ~ 167°, / Tilt: -67° ~ 67°
Min. Illumination (Colour, B/W)	Colour : 0.5 lux @ F1.4 (30 IRE) , B/W : 0 lux (IR LED ON)
Min. object Distance	0.5m
SNR	42dB
Dynamic Range	70dB (90dB@digital WDR)
Electronic Shutter Speed	Auto / Manual (1/30 ~ 1/8000), Anti-Flicker, Slow Shutter (1/7.5,1/15)
True Day & Night	Yes (ICR)
Video Quality Compensation	Auto Expose, Auto White Balance, Digital Noise Reduction Backlight Compensation
Video Out	1 terminal block (NTSC/PAL Selectable)
NETWORK	
	DirectIP™ Mode Compatibility Mode
Video Compression	H.264 (MP), M-JPEG
Bitrate Control	H.264 - CBR / VBR (Up to 8Mbps)
Frame Rate	30ips @ HD + 15ips @ HD
Audio Compression	G.726, G.711
Two-way Audio	Yes
Trigger Event	Motion detection, Alarm in, Audio detection, Tampering, Trip-zone
Privacy Masking	Yes
Event Buffering (Pre & Post)	Yes (Up to 60MB)
Event Notification	Remote S/W, Email (With Image)
IP Camera Protocol	DirectIP™ V1.0.0
Supports Resolutions	352x240, 640x360, 704x480 352x240, 704x480 1280x720 1280x720
Multi Streaming Video	Quadruple stream Triple stream
Network Protocols	Zero configuration RTP/RTSP/TCP RTP/RTSP/HTTP/TCP RTP/UDP RTSP/TCP HTTP, HTTPS, FTP, SNMP SMTP, FEN, mDNS, uPNP
Security	SSL Encryption Multi-User Authority, IEEE 802.1x IP Filtering, HTTPS, SSL Encryption
Remote Access Client	DirectIP™ NVR connection IDIS Discovery, IDIS Solution Suite Compact
INTERFACE	
Ethernet	RJ45 (10/100BASE-T)
Audio In / Out	1 (Line in) / 1 (Line out)
Alarm In / Out	1/1
External Storage	micro SD (SDHC)
GENERAL	
Unit Dimensions (Ø x H)	159mm x 112mm
Shipping Dimensions (W x H x D)	225mm X 275mm X 215mm
Unit Weight	0.51 kg
Shipping Weight	0.82 kg
Starting Temperature	0°C - 50°C
Working Temperature	-10°C - 50°C
Operating Humidity	0% ~ 90%
Power Source	12VDC, PoE (IEEE802.3af class 2)
Power Consumption	4.8W
Approvals	FCC, CE (50130-4), KC

Optional Accessories



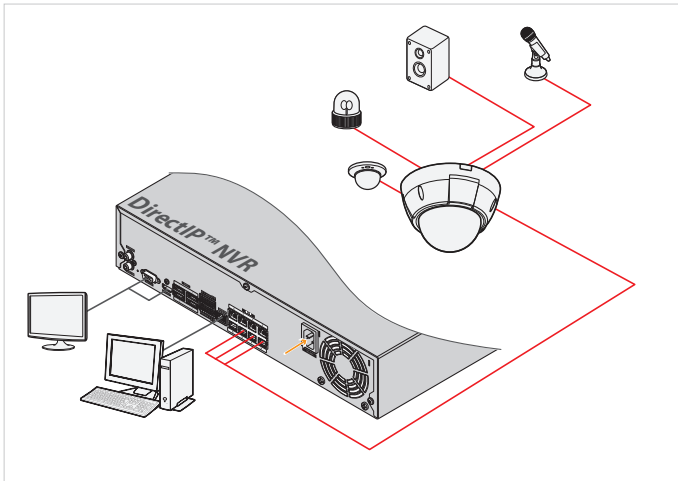
DC-D1123V



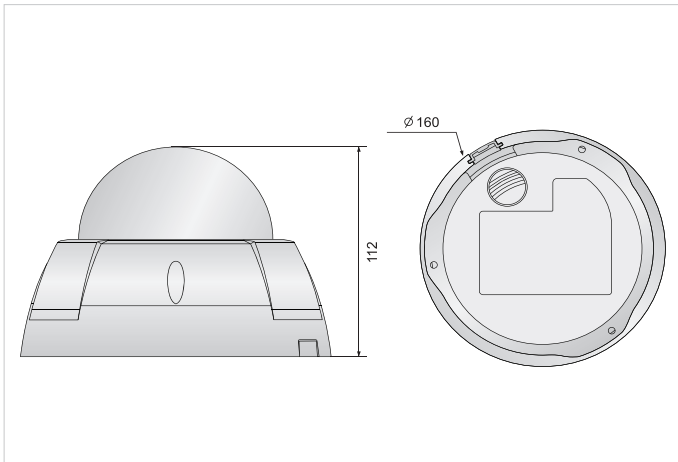
KEY FEATURES

- Easy installation with DirectIP™ NVR
- Supports 16:9 HD resolution
- Vari-focal lens (f= 3.3 ~ 12mm)
- 3-axis mechanical design for installation
- PoE (IEEE 802.3af Class 2)
- Two-way audio
- Alarm in / out
- Micro SD (HC)
- Vandal-Proof Casing
- Supports ONVIF™

CONNECTION DIAGRAM



DIMENSIONS



SPECIFICATIONS

VIDEO		
Max. Resolution	1280x720	
Image Sensor	1/2.7" CMOS	
Scanning Mode	Progressive scan	
Lens	Vari-focal (f= 3.3 - 12mm, F1.4 - 2.9) DC iris	
Viewing Angle	Wide : 109°(H), 56°(V), 122°(D) / Tele : 29°(H), 15°(V), 31°(D)	
Pan/Tilt Range	Pan: -167° ~ 167°, / Tilt: -67° ~ 67°	
Min. Illumination (Colour, B/W)	Colour : 0.5 lux @ F1.4 (30 IRE) , B/W : 0.5lux @F1.4 (30 IRE)	
Min. object Distance	0.5m	
SNR	42dB	
Dynamic Range	70dB (90dB@digital WDR)	
Electronic Shutter Speed	Auto / Manual (1/30 ~ 1/8000), Anti-Flicker, Slow Shutter (1/7.5,1/15)	
True Day & Night	Yes (ICR)	
Video Quality Compensation	Auto Expose, Auto White Balance, Digital Noise Reduction Backlight Compensation	
Video Out	1 terminal block (NTSC/PAL Selectable)	
NETWORK		
	DirectIP™ Mode	Compatibility Mode
Video Compression	H.264 (MP), M-JPEG	
Bitrate Control	H.264 - CBR / VBR (Up to 8Mbps)	
Frame Rate	30ips @ HD + 15ips @HD	
Audio Compression	G.726, G.711	
Two-way Audio	Yes	
Trigger Event	Motion detection, Alarm in, Audio detection, Tampering, Trip-zone	
Privacy Masking	Yes	
Event Buffering (Pre & Post)	Yes (Up to 60MB)	
Event Notification	Remote S/W, Email (With Image)	
IP Camera Protocol	DirectIP™ V1.0.0	IDIS V1.0.0 / ONVIF Profile S
Supports Resolutions	352x240, 640x360, 704x480 1280x720	352x240, 704x480 1280x720
Multi Streaming Video	Quadruple stream	Triple stream
Network Protocols	Zero configuration	RTP/RTSP/TCP RTP/UDP RTSP/TCP HTTP, HTTPS, FTP, SNMP SMTP, FEN, mDNS, uPNP
Security	SSL Encryption	Multi-User Authority, IEEE 802.1x IP Filtering, HTTPS, SSL Encryption
Remote Access Client	DirectIP™ NVR connection	IDIS Discovery, IDIS Solution Suite Compact
INTERFACE		
Ethernet	RJ45 (10/100BASE-T)	
Audio In / Out	1 (Line in) / 1 (Line out)	
Alarm In / Out	1/1	
External Storage	micro SD (SDHC)	
GENERAL		
Vandal-proof Casing	Yes	
Unit Dimensions (Ø x H)	159mm x 112mm	
Shipping Dimensions (W x H x D)	225mm X 275mm X 215mm	
Unit Weight	0.87 kg	
Shipping Weight	1.18 kg	
Starting Temperature	0 - 50°C	
Working Temperature	-10 - 50°C	
Operating Humidity	0% ~ 90%	
Power Source	12VDC, PoE (IEEE802.3af class 2)	
Power Consumption	4.8W	
Approvals	FCC, CE (50130-4), KC	

Optional Accessories



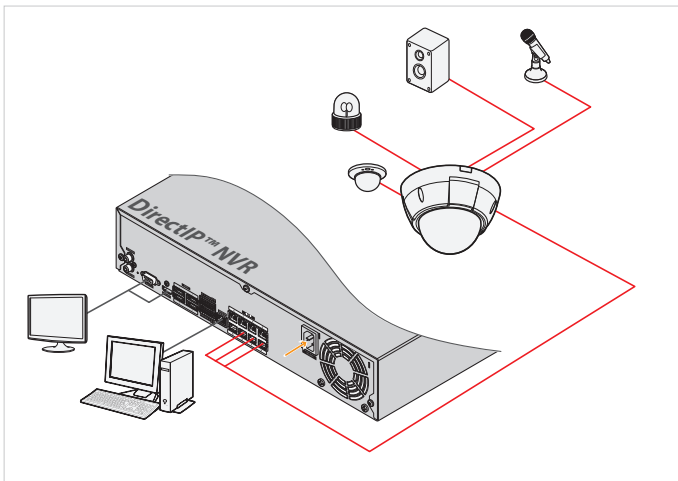
DC-D1123VR



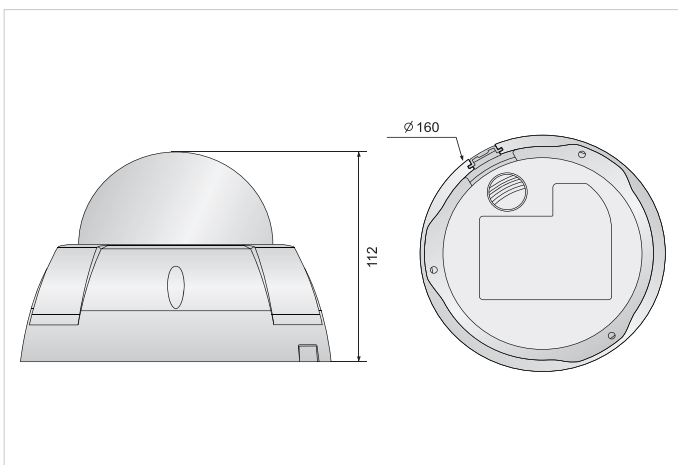
KEY FEATURES

- Easy installation with DirectIP™ NVR
- Supports 16:9 HD resolution
- Vari-focal lens (f= 3.3 ~ 12mm)
- 3-axis mechanical design for installation
- PoE (IEEE 802.3af Class 2)
- IR LED
- Two-way audio
- Alarm in / out
- Micro SD (HC)
- Vandal-Proof Casing
- Supports ONVIF™

CONNECTION DIAGRAM



DIMENSIONS



SPECIFICATIONS

VIDEO		
Max. Resolution	1280x720	
Image Sensor	1/2.7" CMOS	
Scanning Mode	Progressive scan	
Lens	Vari-focal (f= 3.3 - 12mm, F1.4 - 2.9)	
IRIS	DC iris	
Viewing Angle	Wide : 109°(H), 56°(V), 122°(D) / Tele : 29°(H), 15°(V), 31°(D)	
Pan/Tilt Range	Pan: -167° ~ 167°, / Tilt: -67° ~ 67°	
Min. Illumination (Colour, B/W)	Colour : 0.5 lux @ F1.6 (30 IRE) , B/W : 0 lux (IR LED ON)	
Min. object Distance	0.5m	
SNR	42dB	
Dynamic Range	70dB (90dB@digital WDR)	
Electronic Shutter Speed	Auto / Manual (1/30 ~ 1/8000), Anti-Flicker, Slow Shutter (1/7.5,1/15)	
True Day & Night	Yes (ICR)	
Video Quality Compensation	Auto Expose, Auto White Balance, Digital Noise Reduction Backlight Compensation	
Video Out	1 terminal block (NTSC/PAL Selectable)	
NETWORK		
	DirectIP™ Mode	Compatibility Mode
Video Compression	H.264 (MP), M-JPEG	
Bitrate Control	H.264 - CBR / VBR (Up to 8Mbps)	
Frame Rate	30ips @ HD + 15ips @ HD	
Audio Compression	G.726, G.711	
Two-way Audio	Yes	
Trigger Event	Motion detection, Alarm in, Audio detection, Tampering, Trip-zone	
Privacy Masking	Yes	
Event Buffering (Pre & Post)	Yes (up to 60MB)	
Event Notification	Remote S/W, Email (With Image)	
IP Camera Protocol	DirectIP™ V1.0.0	IDIS V1.0.0 / ONVIF Profile S
Supports Resolutions	352x240, 640x360, 704x480 1280x720	352x240, 704x480 1280x720
Multi Streaming Video	Quadruple stream	Triple stream
Network Protocols	Zero configuration	RTP/RTSP/TCP RTP/UDP RTSP/TCP HTTP, HTTPS, FTP, SNMP SMTP, FEN, mDNS, uPNP
Security	SSL Encryption	Multi-User Authority, IEEE 802.1x IP Filtering, HTTPS, SSL Encryption
Remote Access Client	DirectIP™ NVR connection	IDIS Discovery, IDIS Solution Suite Compact
INTERFACE		
Ethernet	RJ45 (10/100BASE-T)	
Audio In / Out	1 (Line in) / 1 (Line out)	
Alarm In / Out	1/1	
External Storage	micro SD (SDHC)	
GENERAL		
Vandal-proof Casing	Yes	
Unit Dimensions (Ø x H)	159mm x 112mm	
Shipping Dimensions (W x H x D)	225mm X 275mm X 215mm	
Unit Weight	0.87 kg	
Shipping Weight	1.18 kg	
Starting Temperature	0°C - 50°C	
Working Temperature	-10°C - 50°C	
Operating Humidity	0% ~ 90%	
Power Source	12VDC, PoE (IEEE802.3af class 2)	
Power Consumption	4.8W	
Approvals	FCC, CE (50130-4), KC	

Optional Accessories



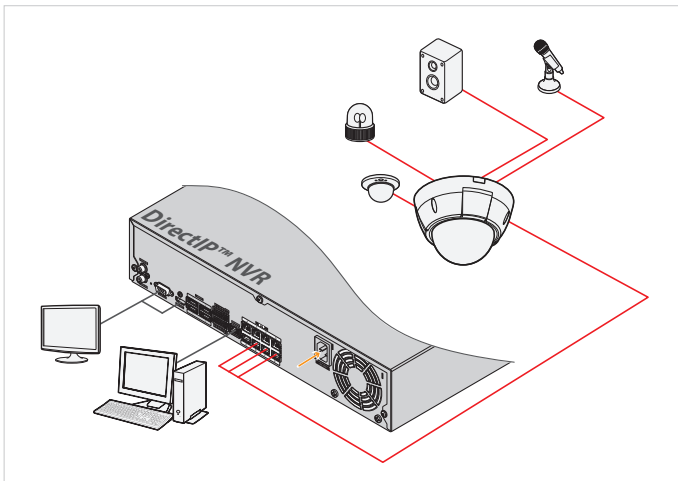
DC-D1123W



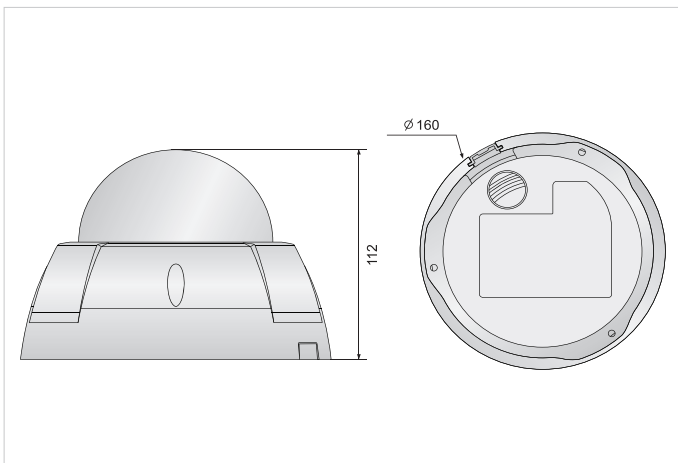
KEY FEATURES

- Easy installation with DirectIP™ NVR
- Supports 16:9 HD resolution
- Vari-focal lens (f= 3.3 ~ 12mm)
- 3-axis mechanical design for installation
- PoE (IEEE 802.3af Class 2)
- Two-way audio
- Alarm in / out
- Micro SD (HC)
- Outdoor ready with IP66
- Supports ONVIF™

CONNECTION DIAGRAM



DIMENSIONS



SPECIFICATIONS

VIDEO		
Max. Resolution	1280x720	
Image Sensor	1/2.7" CMOS	
Scanning Mode	Progressive scan	
Lens	Vari-focal (f= 3.3 - 12mm, F1.4 - 2.9)	
IRIS	DC iris	
Viewing Angle	Wide : 109°(H), 56°(V), 122°(D) / Tele : 29°(H), 15°(V), 31°(D)	
Pan/Tilt Range	Pan: -167° ~ 167°, / Tilt: -67° ~ 67°	
Min. Illumination (Colour, B/W)	Colour : 0.5 lux @ F1.6 (30 IRE) , B/W : 0.5 lux @F1.6 (30 IRE)	
Min. object Distance	0.5m	
SNR	42dB	
Dynamic Range	70dB (90dB@digital WDR)	
Electronic Shutter Speed	Auto / Manual (1/30 ~ 1/8000), Anti-Flicker, Slow Shutter (1/7.5,1/15)	
True Day & Night	Yes (ICR)	
Video Quality Compensation	Auto Expose, Auto White Balance, Digital Noise Reduction Backlight Compensation	
Video Out	1 terminal block (NTSC/PAL Selectable)	
NETWORK		
	DirectIP™ Mode	Compatibility Mode
Video Compression	H.264 (MP), M-JPEG	
Bitrate Control	H.264 - CBR / VBR (Up to 8Mbps)	
Frame Rate	30ips @ HD + 15ips @HD	
Audio Compression	G.726, G.711	
Two-way Audio	Yes	
Trigger Event	Motion detection, Alarm in, Audio detection, Tampering, Trip-zone	
Privacy Masking	Yes	
Event Buffering (Pre & Post)	Yes (Up to 60MB)	
Event Notification	Remote S/W, Email (With Image)	
IP Camera Protocol	DirectIP™ V1.0.0	IDIS V1.0.0 / ONVIF Profile S
Supports Resolutions	352x240, 640x360, 704x480 1280x720	352x240, 704x480 1280x720
Multi Streaming Video	Quadruple stream	Triple stream
Network Protocols	Zero configuration	RTP/RTSP/TCP RTP/RTSP/HTTP/TCP RTP/UDP RTSP/TCP HTTP, HTTPS, FTP, SNMP SMTP, FEN, mDNS, uPNP
Security	SSL Encryption	Multi-User Authority, IEEE 802.1x IP Filtering, HTTPS, SSL Encryption
Remote Access Client	DirectIP™ NVR connection	IDIS Discovery, IDIS Solution Suite Compact
INTERFACE		
Ethernet	RJ45 (10/100BASE-T)	
Audio In / Out	1 (Line in) / 1 (Line out)	
Alarm In / Out	1/1	
External Storage	micro SD (SDHC)	
GENERAL		
Vandal-proof Casing	Yes	
Outdoor Ready	IP66	
Unit Dimensions (Ø x H)	159mm x 112mm	
Shipping Dimensions (W x H x D)	225mm X 275mm X 215mm	
Unit Weight	0.87 kg	
Shipping Weight	1.18 kg	
Starting Temperature	0 - 50°C	
Working Temperature	-10 - 50°C	
Operating Humidity	0% ~ 90%	
Power Source	12VDC, PoE (IEEE802.3af class 2)	
Power Consumption	4.8W	
Approvals	FCC, CE (50130-4), KC	

Optional Accessories



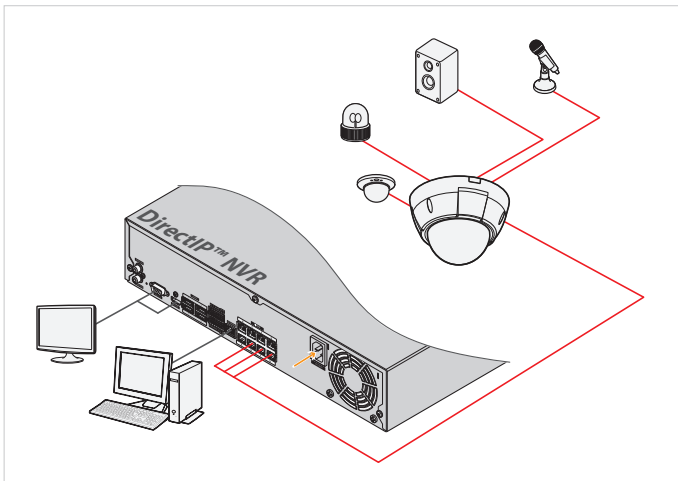
DC-D1123WR



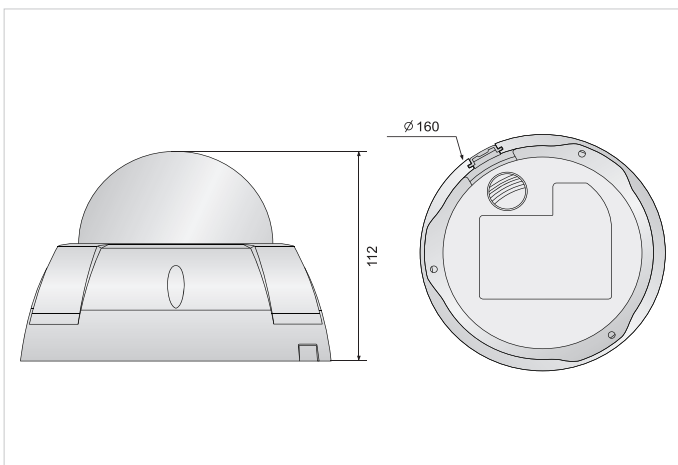
KEY FEATURES

- Easy installation with DirectIP™ NVR
- Supports 16:9 HD resolution
- Vari-focal lens (f= 3.3 ~ 12mm)
- 3-axis mechanical design for installation
- PoE (IEEE 802.3af Class 2)
- IR LED
- Two-way audio
- Alarm in / out
- Micro SD (HC)
- Outdoor ready with IP66
- Supports ONVIF™

CONNECTION DIAGRAM



DIMENSIONS



SPECIFICATIONS

VIDEO		
Max. Resolution	1280x720	
Image Sensor	1/2.7" CMOS	
Scanning Mode	Progressive scan	
Lens	Vari-focal (f= 3.3 - 12mm, F1.4 - 2.9)	
IRIS	DC iris	
Viewing Angle	Wide : 109°(H), 56°(V), 122°(D) / Tele : 29°(H), 15°(V), 31°(D)	
Pan/Tilt Range	Pan: -167° ~ 167°, / Tilt: -67° ~ 67°	
Min. Illumination (Colour, B/W)	Colour : 0.5 lux @ F1.6 (30 IRE) , B/W : 0 lux (IR LED ON)	
Min. object Distance	0.5m	
SNR	42dB	
Dynamic Range	70dB (90dB@digital WDR)	
Electronic Shutter Speed	Auto / Manual (1/30 ~ 1/8000), Anti-Flicker, Slow Shutter (1/7.5,1/15)	
True Day & Night	Yes (ICR)	
Video Quality Compensation	Auto Expose, Auto White Balance, Digital Noise Reduction Backlight Compensation	
Video Out	1 terminal block (NTSC/PAL Selectable)	
NETWORK		
	DirectIP™ Mode	Compatibility Mode
Video Compression	H.264 (MP), M-JPEG	
Bitrate Control	H.264 - CBR / VBR (Up to 8Mbps)	
Frame Rate	30ips @ HD + 15ips @ HD	
Audio Compression	G.726, G.711	
Two-way Audio	Yes	
Trigger Event	Motion detection, Alarm in, Audio detection, Tampering, Trip-zone	
Privacy Masking	Yes	
Event Buffering (Pre & Post)	Yes (Up to 60MB)	
Event Notification	Remote S/W, Email (With Image)	
IP Camera Protocol	DirectIP™ V1.0.0	
Supports Resolutions	352x240, 640x360, 704x480	352x240, 704x480
	1280x720	1280x720
Multi Streaming Video	Quadruple stream	Triple stream
Network Protocols	Zero configuration	
	RTP/RTSP/TCP	
	RTP/RTSP/HTTP/TCP	
	RTP/UDP RTSP/TCP	
	HTTP, HTTPS, FTP, SNMP	
	SMTP, FEN, mDNS, uPNP	
Security	SSL Encryption	Multi-User Authority, IEEE 802.1x
		IP Filtering, HTTPS, SSL Encryption
Remote Access Client	DirectIP™ NVR connection	IDIS Discovery, IDIS Solution Suite Compact
INTERFACE		
Ethernet	RJ45 (10/100BASE-T)	
Audio In / Out	1 (Line in) / 1 (Line out)	
Alarm In / Out	1/1	
External Storage	micro SD (SDHC)	
GENERAL		
Vandal-proof Casing	Yes	
Outdoor Ready	IP66	
Unit Dimensions (Ø x H)	159mm x 112mm	
Shipping Dimensions (W x H x D)	225mm X 275mm X 215mm	
Unit Weight	0.87 kg	
Shipping Weight	1.18 kg	
Starting Temperature	0°C - 50°C	
Working Temperature	-10°C - 50°C	
Operating Humidity	0% ~ 90%	
Power Source	12VDC, PoE (IEEE802.3af class 2)	
Power Consumption	4.8W	
Approvals	FCC, CE (50130-4), KC	

Optional Accessories



DirectIP™ HD Outdoor Dome Camera with heater

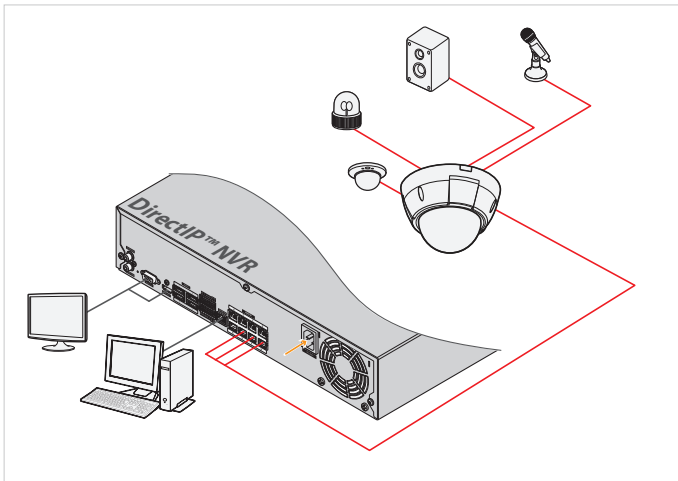
DC-D1123WHR



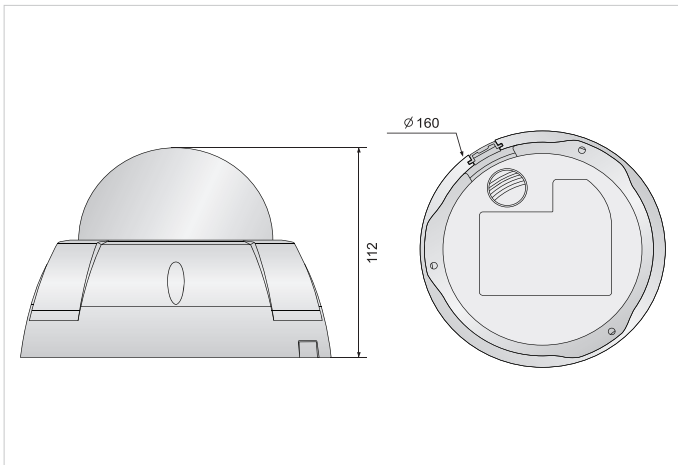
KEY FEATURES

- Easy installation with DirectIP™ NVR
- Supports 16:9 HD resolution
- Vari-focal lens (f= 3.3 ~ 12mm)
- 3-axis mechanical design for installation
- PoE (IEEE 802.3af Class 2)
- IR LED
- Two-way audio
- Alarm in / out
- Micro SD (HC)
- Outdoor ready with IP66, heater
- Supports ONVIF™

CONNECTION DIAGRAM



DIMENSIONS



SPECIFICATIONS

VIDEO		
Max. Resolution	1280x720	
Image Sensor	1/2.7" CMOS	
Scanning Mode	Progressive scan	
Lens	Vari-focal (f= 3.3 - 12mm, F1.4 - 2.9)	
IRIS	DC iris	
Viewing Angle	Wide : 109°(H), 56°(V), 122°(D) / Tele : 29°(H), 15°(V), 31°(D)	
Pan / Tilt Range	Pan: -167° ~ 167° / Tilt: -67° ~ 67°	
Min. Illumination (Colour, B/W)	Colour : 0.5 lux@F1.6 (30 IRE) , B/W : 0 lux (IR LED ON)	
Min. object Distance	0.5m	
SNR	42dB	
Dynamic Range	70dB (90dB@digital WDR)	
Electronic Shutter Speed	Auto / Manual (1/30 ~ 1/8000), Anti-Flicker, Slow Shutter (1/7.5,1/15)	
True Day & Night	Yes (ICR)	
Video Quality Compensation	Auto Expose, Auto White Balance, Digital Noise Reduction Backlight Compensation	
Video Out	1 terminal block (NTSC/PAL Selectable)	
NETWORK		
	DirectIP™ Mode	Compatibility Mode
Video Compression	H.264 (MP), M-JPEG	
Bitrate Control	H.264 - CBR / VBR (Up to 8Mbps)	
Frame Rate	30Ips@HD + 15Ips@HD	
Audio Compression	G.726, G.711	
Two-way Audio	Yes	
Trigger Event	Motion detection, Alarm in, Audio detection, Tampering, Trip-zone	
Privacy Masking	Yes	
Event Buffering (Pre & Post)	Yes (Up to 60MB)	
Event Notification	Remote S/W, Email (With Image)	
IP Camera Protocol	DirectIP™ V1.0.0	IDIS V1.0.0 / ONVIF Profile S
Supports Resolutions	352x240, 640x360, 704x480 1280x720	352x240, 704x480 1280x720
Multi Streaming Video	Quadruple stream	Triple stream
Network Protocols	Zero configuration	RTP/RTSP/TCP RTP/RTSP/HTTP/TCP RTP/UDP RTSP/TCP HTTP, HTTPS, FTP, SNMP SMTP, FEN, mDNS, uPNP
Security	SSL Encryption	Multi-User Authority, IEEE 802.1x IP Filtering, HTTPS, SSL Encryption
Remote Access Client	DirectIP™ NVR connection	IDIS Discovery, IDIS Solution Suite Compact
INTERFACE		
Ethernet	RJ45 (10/100BASE-T)	
Audio In / Out	1 (Line in) / 1 (Line out)	
Alarm In / Out	1/1	
External Storage	micro SD (SDHC)	
GENERAL		
Vandal-proof Casing	Yes	
Outdoor Ready	IP66, Heater	
Unit Dimensions (Ø x H)	160mm X 112mm	
Shipping Dimensions (W x H x D)	225mm X 275mm X 215mm	
Unit Weight	0.87kg	
Shipping Weight	1.18kg	
Starting Temperature	-20°C ~ 50°C (Heater on DC 12V input only) 0°C ~ 50°C (W/O Heater_ Using PoE)	
Working Temperature	-20°C ~ 50°C (Heater on DC 12V input only) -10°C ~ 50°C (W/O Heater_ Using PoE)	
Operating Humidity	0% ~ 90%	
Power Source	12VDC, PoE (IEEE802.3af class 2)	
Power Consumption	19.2W (Heater on DC 12V input)	
Approvals	FCC, CE (50130-4), KC	

OPTIONAL ACCESSORIES



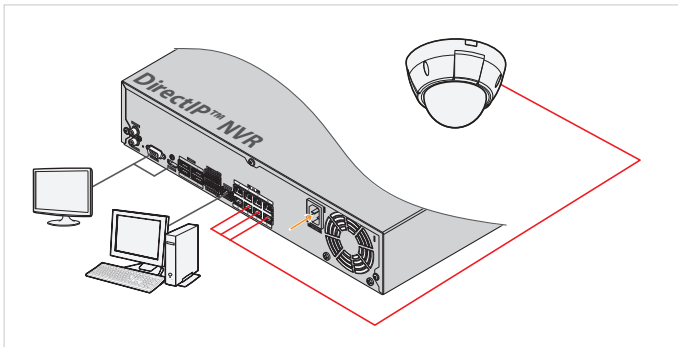
DC-D1212R



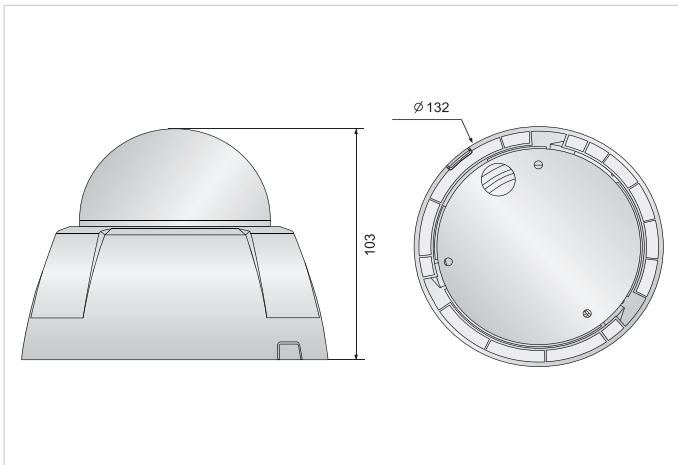
KEY FEATURES

- Easy installation with DirectIP™ NVR
- Supports 16:9 Full HD resolution
- 3-axis mechanical design for installation
- PoE (IEEE 802.3af Class 2)
- IR LED
- Supports ONVIF™

CONNECTION DIAGRAM



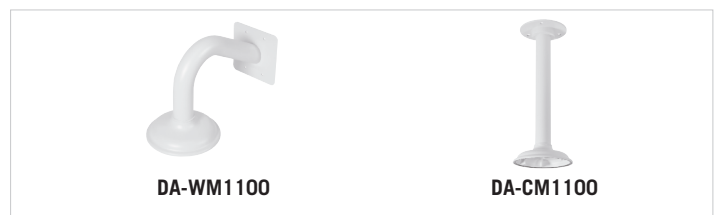
DIMENSIONS



SPECIFICATIONS

VIDEO		
Max. Resolution	1920x1080	
Image Sensor	1/2.7" CMOS	
Scanning Mode	Progressive scan	
Lens	Fixed-focal (f=4.3mm, F 2.0)	
IRIS	Fixed iris	
Viewing Angle	88°(H), 49°(V), 100°(D)	
Pan / Tilt Range	Pan: -167° ~ 167° / Tilt: -67° ~ 67°	
Min. Illumination (Colour, B/W)	Colour : 0.5 lux@F2.0 (30 IRE) , B/W : 0 lux (IR LED ON)	
Min. object Distance	0.4m	
SNR	45dB	
Dynamic Range	70dB (90dB@digital WDR)	
Electronic Shutter Speed	Auto / Manual (1/30 ~ 1/8000), Anti-Flicker, Slow Shutter (1/7.5,1/15)	
True Day & Night	Yes (ICR)	
Video Quality Compensation	Auto Expose, Auto White Balance, Digital Noise Reduction Backlight Compensation	
Video Out	1 terminal block (NTSC/PAL Selectable)	
NETWORK		
	DirectIP™ Mode	Compatibility Mode
Video Compression	H.264 (MP), M-JPEG	
Bitrate Control	H.264 - CBR / VBR (Up to 8Mbps)	
Frame Rate	30ips@Full HD + 30ips@4CIF	
Trigger Event	Motion detection, Tampering, Trip-zone	
Privacy Masking	Yes	
Event Buffering (Pre & Post)	Yes (Up to 60MB)	
Event Notification	Remote S/W, Email (With Image)	
IP Camera Protocol	DirectIP™ V1.0.0	IDIS V1.0.0 / ONVIF Profile S
Supports Resolutions	352x240, 640x360, 704x480	352x240, 704x480 1280x720, 1920x1080
Multi Streaming Video	Quadruple stream	Triple stream
Network Protocols	Zero configuration	RTP/RTSP/TCP RTP/RTSP/HTTP/TCP RTP/UDP RTSP/TCP HTTP, HTTPS, FTP, SNMP SMTP, FEN, mDNS, uPNP
Security	SSL Encryption	Multi-User Authority, IEEE 802.1x IP Filtering, HTTPS, SSL Encryption
Remote Access Client	DirectIP™ NVR connection	IDIS Discovery, IDIS Solution Suite Compact
INTERFACE		
Ethernet	RJ45 (10/100BASE-T)	
GENERAL		
Unit Dimensions (Ø x H)	132mm X 103mm	
Shipping Dimensions (W x H x D)	225mm X 275mm X 215mm	
Unit Weight	0.35kg	
Shipping Weight	0.53kg	
Starting Temperature	0°C ~ 50°C	
Working Temperature	-10°C ~ 50°C	
Operating Humidity	0% ~ 90%	
Power Source	PoE (IEEE802.3af class 2)	
Power Consumption	4.8W	
Approvals	FCC, CE (50130-4), KC	

Optional Accessories



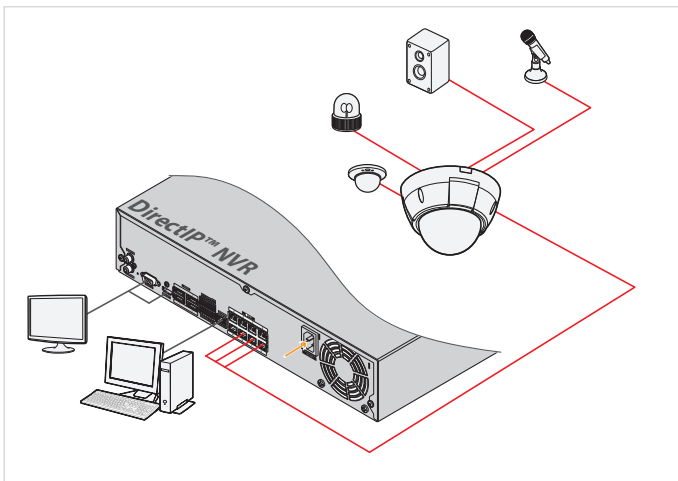
DC-D1223



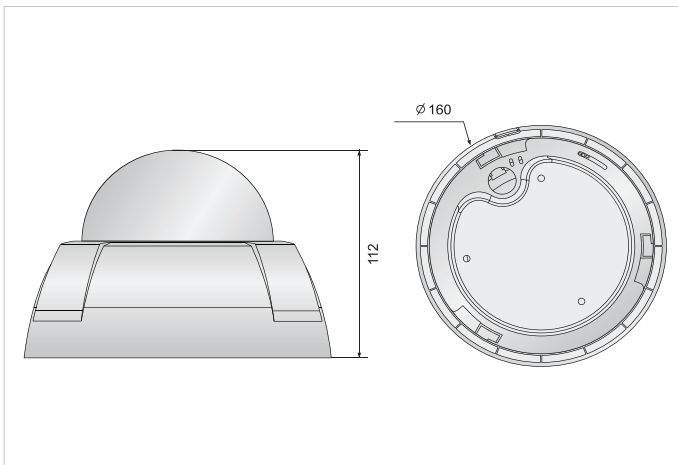
KEY FEATURES

- Easy installation with DirectIP™ NVR
- Supports 16:9 Full HD resolution
- Vari-focal lens (f= 3 ~ 9mm)
- 3-axis mechanical design for installation
- PoE (IEEE 802.3af Class 2)
- Two-way audio
- Alarm in / out
- Micro SD (HC)
- Supports ONVIF™

CONNECTION DIAGRAM



DIMENSIONS



SPECIFICATIONS

VIDEO		
Max. Resolution	1920x1080	
Image Sensor	1/2.7" CMOS	
Scanning Mode	Progressive scan	
Lens	Vari-focal (f= 3 - 9mm, F1.2 -2.3)	
IRIS	DC iris	
Viewing Angle	Wide : 123°(H), 64°(V), 131°(D) / Tele : 37°(H), 20°(V), 43°(D)	
Pan / Tilt Range	Pan: -167° ~ 167° / Tilt: -60° ~ 60°	
Min. Illumination (Colour, B/W)	Colour : 0.5 lux@F1.2 (30 IRE) , B/W : 0.5 lux@F1.2 (30 IRE)	
Min. object Distance	0.5m	
SNR	42dB	
Dynamic Range	70dB (90dB@digital WDR)	
Electronic Shutter Speed	Auto / Manual (1/30 ~ 1/8000), Anti-Flicker, Slow Shutter (1/7.5,1/15)	
True Day & Night	Yes (ICR)	
Video Quality Compensation	Auto Expose, Auto White Balance, Digital Noise Reduction Backlight Compensation	
Video Out	1 terminal block (NTSC/PAL Selectable)	
NETWORK		
	DirectIP™ Mode	Compatibility Mode
Video Compression	H.264 (MP), M-JPEG	
Bitrate Control	H.264 - CBR / VBR (Up to 12Mbps)	
Frame Rate	30ips@Full HD + 30ips@4CIF	
Audio Compression	G.726, G.711	
Two-way Audio	Yes	
Trigger Event	Motion detection, Alarm in, Audio detection, Tampering, Trip-zone	
Privacy Masking	Yes	
Event Buffering (Pre & Post)	Yes (Up to 60MB)	
Event Notification	Remote S/W, Email (With Image)	
IP Camera Protocol	DirectIP™ V1.0.0	IDIS V1.0.0 / ONVIF Profile S
Supports Resolutions	352x240, 640x360, 704x480	352x240, 704x480
	1280x720, 1920x1080	1280x720, 1920x1080
Multi Streaming Video	Quadruple stream	Triple stream
Network Protocols	Zero configuration	
	RTP/RTSP/TCP	
	RTP/UDP RTSP/TCP	
	HTTP, HTTPS, FTP, SNMP	
	SMTP, FEN, mDNS, uPNP	
Security	SSL Encryption	Multi-User Authority, IEEE 802.1x IP Filtering, HTTPS, SSL Encryption
	Remote Access Client	DirectIP™ NVR connection
INTERFACE		
Ethernet	RJ45 (10/100BASE-T)	
Audio In / Out	1 (Line in) / 1 (Line out)	
Alarm In / Out	1/1	
External Storage	micro SD (SDHC)	
GENERAL		
Unit Dimensions (Ø x H)	160mm X 112mm	
Shipping Dimensions (W x H x D)	225mm X 275mm X 215mm	
Unit Weight	0.51kg	
Shipping Weight	0.82kg	
Starting Temperature	0°C ~ 50°C	
Working Temperature	-10°C ~ 50°C	
Operating Humidity	0% ~ 90%	
Power Source	12VDC, PoE (IEEE802.3af class 2)	
Power Consumption	4.8W	
Approvals	FCC, CE (50130-4), KC	

OPTIONAL ACCESSORIES



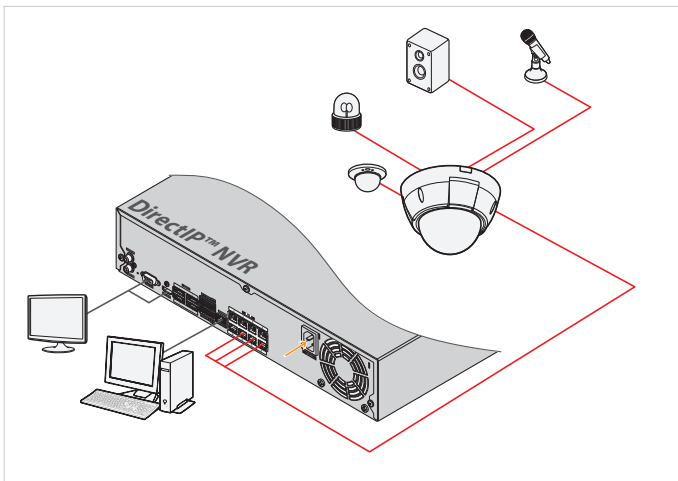
DC-D1223R



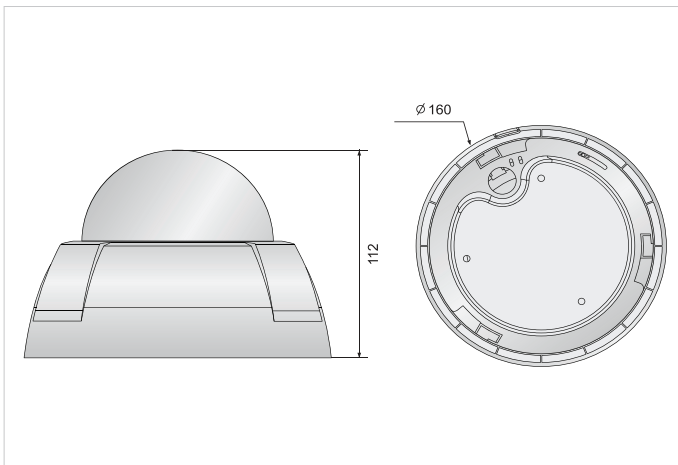
KEY FEATURES

- Easy installation with DirectIP™ NVR
- Supports 16:9 Full HD resolution
- Vari-focal lens (f= 3 ~ 9mm)
- 3-axis mechanical design for installation
- PoE (IEEE 802.3af Class 2)
- IR LED
- Two-way audio
- Alarm in / out
- Micro SD (HC)
- Supports ONVIF™

CONNECTION DIAGRAM



DIMENSIONS



SPECIFICATIONS

VIDEO		
Max. Resolution	1920x1080	
Image Sensor	1/2.7" CMOS	
Scanning Mode	Progressive scan	
Lens	Vari-focal (f= 3 - 9mm, F1.2 -2.3)	
IRIS	DC iris	
Viewing Angle	Wide : 123°(H), 64°(V), 131°(D) / Tele : 37°(H), 20°(V), 43°(D)	
Pan / Tilt Range	Pan: -167° ~ 167° / Tilt: -60° ~ 60°	
Min. Illumination (Colour, B/W)	Colour : 0.5 lux@F1.2 (30 IRE) , B/W : 0 lux (IR LED ON)	
Min. object Distance	0.5m	
SNR	42dB	
Dynamic Range	70dB (90dB@digital WDR)	
Electronic Shutter Speed	Auto / Manual (1/30 ~ 1/8000), Anti-Flicker, Slow Shutter (1/7.5,1/15)	
True Day & Night	Yes (ICR)	
Video Quality Compensation	Auto Expose, Auto White Balance, Digital Noise Reduction Backlight Compensation	
Video Out	1 terminal block (NTSC/PAL Selectable)	
NETWORK		
	DirectIP™ Mode	Compatibility Mode
Video Compression	H.264 (MP), M-JPEG	
Bitrate Control	H.264 - CBR / VBR (Up to 12Mbps)	
Frame Rate	30ips@Full HD + 30ips@4CIF	
Audio Compression	G.726, G.711	
Two-way Audio	Yes	
Trigger Event	Motion detection, Alarm in, Audio detection, Tampering, Trip-zone	
Privacy Masking	Yes	
Event Buffering (Pre & Post)	Yes (Up to 60MB)	
Event Notification	Remote S/W, Email (With Image)	
IP Camera Protocol	DirectIP™ V1.0.0	IDIS V1.0.0 / ONVIF Profile S
Supports Resolutions	352x240, 640x360, 704x480 1280x720, 1920x1080	352x240, 704x480 1280x720, 1920x1080
Multi Streaming Video	Quadruple stream	Triple stream
Network Protocols	Zero configuration	RTP/RTSP/TCP RTP/UDP RTSP/TCP HTTP, HTTPS, FTP, SNMP SMTP, FEN, mDNS, uPNP
Security	SSL Encryption	Multi-User Authority, IEEE 802.1x IP Filtering, HTTPS, SSL Encryption
Remote Access Client	DirectIP™ NVR connection	IDIS Discovery, IDIS Solution Suite Compact
INTERFACE		
Ethernet	RJ45 (10/100BASE-T)	
Audio In / Out	1 (Line in) / 1 (Line out)	
Alarm In / Out	1/1	
External Storage	micro SD (SDHC)	
GENERAL		
Unit Dimensions (Ø x H)	160mm X 112mm	
Shipping Dimensions (W x H x D)	225mm X 275mm X 215mm	
Unit Weight	0.51kg	
Shipping Weight	0.82kg	
Starting Temperature	0°C~ 50°C	
Working Temperature	-10°C~ 50°C	
Operating Humidity	0% ~ 90%	
Power Source	12VDC, PoE (IEEE802.3af class 2)	
Power Consumption	4.8W	
Approvals	FCC, CE (50130-4), KC	

OPTIONAL ACCESSORIES



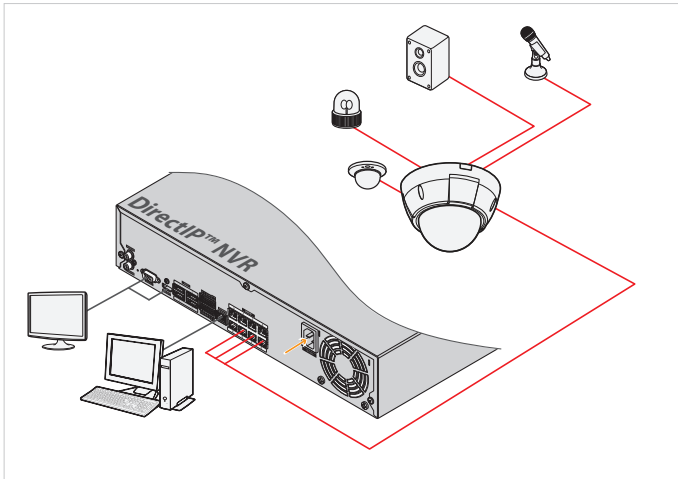
DC-D1223V



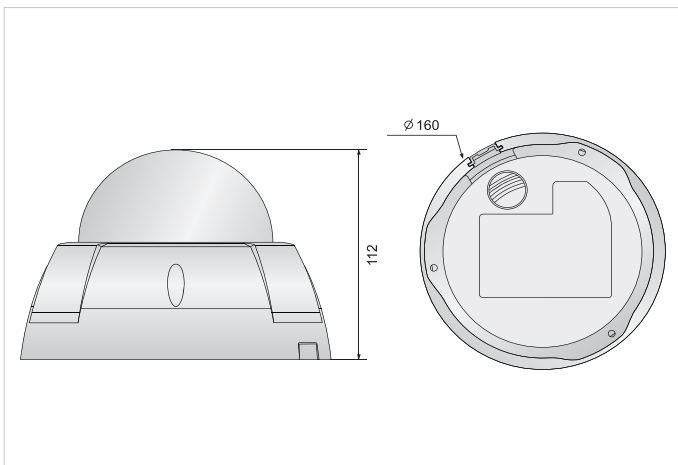
KEY FEATURES

- Easy installation with DirectIP™ NVR
- Supports 16:9 Full HD resolution
- Vari-focal lens (f= 3 ~ 9mm)
- 3-axis mechanical design for installation
- PoE (IEEE 802.3af Class 2)
- Two-way audio
- Alarm in / out
- Micro SD (HC)
- Vandal-Proof Casing
- Supports ONVIF™

CONNECTION DIAGRAM



DIMENSIONS



SPECIFICATIONS

VIDEO		
Max. Resolution	1920x1080	
Image Sensor	1/2.7" CMOS	
Scanning Mode	Progressive scan	
Lens	Vari-focal (f= 3 - 9mm, F1.2 -2.3)	
IRIS	DC iris	
Viewing Angle	Wide : 123°(H), 64°(V), 131°(D) / Tele : 37°(H), 20°(V), 43°(D)	
Pan / Tilt Range	Pan: -167° ~ 167° / Tilt: -60° ~ 60°	
Min. Illumination (Colour, B/W)	Colour : 0.5 lux@F1.2 (30 IRE) , B/W : 0.5 lux@F1.2 (30 IRE)	
Min. object Distance	0.5m	
SNR	42dB	
Dynamic Range	70dB (90dB@digital WDR)	
Electronic Shutter Speed	Auto / Manual (1/30 ~ 1/8000), Anti-Flicker, Slow Shutter (1/7.5,1/15)	
True Day & Night	Yes (ICR)	
Video Quality Compensation	Auto Expose, Auto White Balance, Digital Noise Reduction Backlight Compensation	
Video Out	1 terminal block (NTSC/PAL Selectable)	
NETWORK		
	DirectIP™ Mode	Compatibility Mode
Video Compression	H.264 (MP), M-JPEG	
Bitrate Control	H.264 - CBR / VBR (Up to 12Mbps)	
Frame Rate	30ips@Full HD + 30ips@4CIF	
Audio Compression	G.726, G.711	
Two-way Audio	Yes	
Trigger Event	Motion detection, Alarm in, Audio detection, Tampering, Trip-zone	
Privacy Masking	Yes	
Event Buffering (Pre & Post)	Yes (Up to 60MB)	
Event Notification	Remote S/W, Email (With Image)	
IP Camera Protocol	DirectIP™ V1.0.0	IDIS V1.0.0 / ONVIF Profile S
Supports Resolutions	352x240, 640x360, 704x480	352x240, 704x480
	1280x720, 1920x1080	1280x720, 1920x1080
Multi Streaming Video	Quadruple stream	Triple stream
Network Protocols	Zero configuration	
	RTP/RTSP/TCP	
	RTP/UDP RTSP/TCP	
	HTTP, HTTPS, FTP, SNMP	
	SMTP, FEN, mDNS, uPNP	
Security	SSL Encryption	Multi-User Authority, IEEE 802.1x IP Filtering, HTTPS, SSL Encryption
Remote Access Client	DirectIP™ NVR connection	IDIS Discovery, IDIS Solution Suite Compact
INTERFACE		
Ethernet	RJ45 (10/100BASE-T)	
Audio In / Out	1 (Line in) / 1 (Line out)	
Alarm In / Out	1/1	
External Storage	micro SD (SDHC)	
GENERAL		
Vandal-proof Casing	Yes	
Unit Dimensions (Ø x H)	160mm X 112mm	
Shipping Dimensions (W x H x D)	225mm X 275mm X 215mm	
Unit Weight	0.87kg	
Shipping Weight	1.18kg	
Starting Temperature	0°C~ 50°C	
Working Temperature	-10°C~ 50°C	
Operating Humidity	0% ~ 90%	
Power Source	12VDC, PoE (IEEE802.3af class 2)	
Power Consumption	4.8W	
Approvals	FCC, CE (50130-4), KC	

OPTIONAL ACCESSORIES



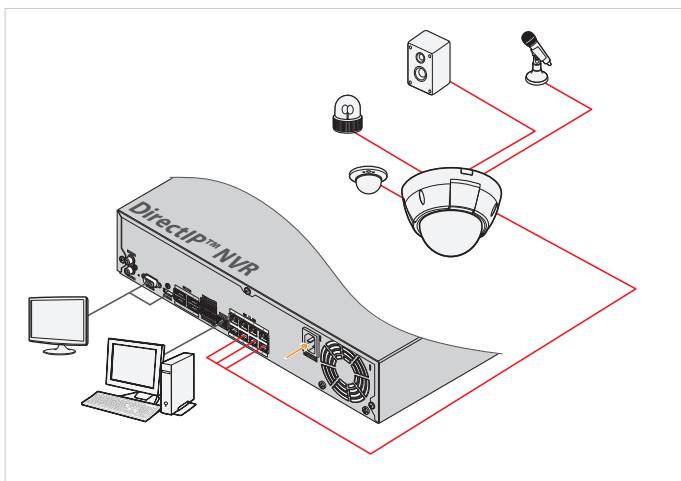
DC-D1223VR



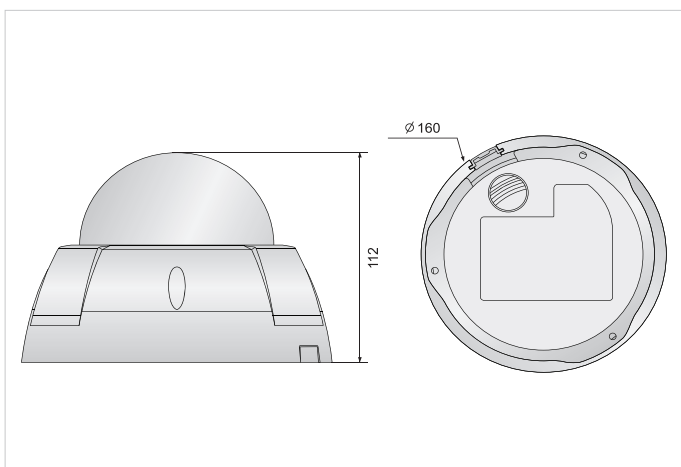
KEY FEATURES

- Easy installation with DirectIP™ NVR
- Supports 16:9 Full HD resolution
- Vari-focal lens (f= 3 ~ 9mm)
- 3-axis mechanical design for installation
- PoE (IEEE 802.3af Class 2)
- IR LED
- Two-way audio
- Alarm in / out
- Micro SD (HC)
- Vandal-Proof Casing
- Supports ONVIF™

CONNECTION DIAGRAM



DIMENSIONS



SPECIFICATIONS

VIDEO	
Max. Resolution	1920x1080
Image Sensor	1/2.7" CMOS
Scanning Mode	Progressive scan
Lens	Vari-focal (f= 3 - 9mm, F1.2 -2.3)
IRIS	DC iris
Viewing Angle	Wide : 123°(H), 64°(V), 131°(D) / Tele : 37°(H), 20°(V), 43°(D)
Pan / Tilt Range	Pan: -167° ~ 167° / Tilt: -60° ~ 60°
Min. Illumination (Colour, B/W)	Colour : 0.5 lux@F1.2 (30 IRE) , B/W : 0lux (IR LED ON)
Min. object Distance	0.5m
SNR	42dB
Dynamic Range	more than 70dB (90dB@digital WDR)
Electronic Shutter Speed	Auto / Manual (1/30 ~ 1/8000), Anti-Flicker, Slow Shutter (1/7.5,1/15)
True Day & Night	Yes (ICR)
Video Quality Compensation	Auto Expose, Auto White Balance, Digital Noise Reduction Backlight Compensation
Video Out	1 terminal block (NTSC/PAL Selectable)
NETWORK	
	DirectIP™ Mode Compatibility Mode
Video Compression	H.264 (MP), M-JPEG
Bitrate Control	H.264 - CBR / VBR (Up to 12Mbps)
Frame Rate	30ips@Full HD + 30ips@4CIF
Audio Compression	G.726, G.711
Two-way Audio	Yes
Trigger Event	Motion detection, Alarm in, Audio detection, Tampering, Trip-zone
Privacy Masking	Yes
Event Buffering (Pre & Post)	Yes (Up to 60MB)
Event Notification	Remote S/W, Email (With Image)
IP Camera Protocol	DirectIP™ V1.0.0
Supports Resolutions	352x240, 640x360, 704x480 352x240, 704x480 1280x720, 1920x1080 1280x720, 1920x1080
Multi Streaming Video	Quadruple stream Triple stream
Network Protocols	Zero configuration RTP/RTSP/TCP RTP/RTSP/HTTP/TCP RTP/UDP RTSP/TCP HTTP, HTTPS, FTP, SNMP SMTP, FEN, mDNS, uPNP
Security	SSL Encryption Multi-User Authority, IEEE 802.1x IP Filtering, HTTPS, SSL Encryption
Remote Access Client	DirectIP™ NVR connection IDIS Discovery, IDIS Solution Suite Compact
INTERFACE	
Ethernet	RJ45 (10/100BASE-T)
Audio In / Out	1 (Line in) / 1 (Line out)
Alarm In / Out	1/1
External Storage	micro SD (SDHC)
GENERAL	
Vandal-proof Casing	Yes
Unit Dimensions (Ø x H)	160mm X 112mm
Shipping Dimensions (W x H x D)	225mm X 275mm X 215mm
Unit Weight	0.87kg
Shipping Weight	1.18kg
Starting Temperature	0°C~ 50°C
Working Temperature	-10°C~ 50°C
Operating Humidity	0% ~ 90%
Power Source	12VDC, PoE (IEEE802.3af class 2)
Power Consumption	4.8W
Approvals	FCC, CE (50130-4), KC

OPTIONAL ACCESSORIES



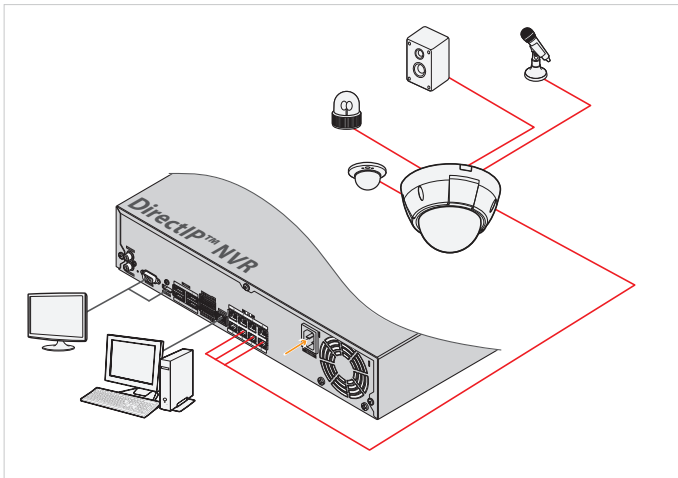
DC-D1223W



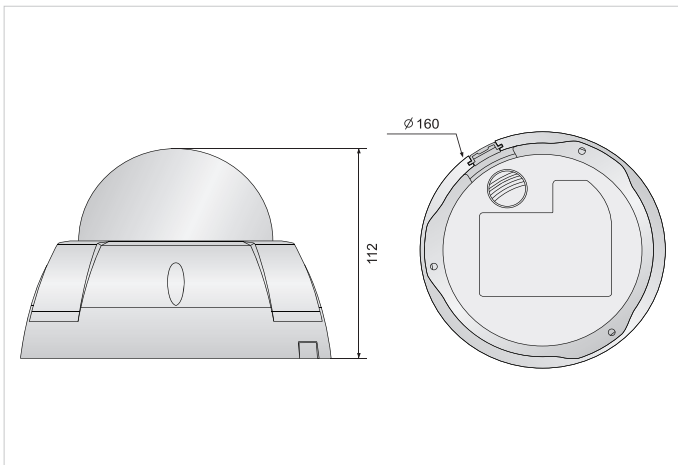
KEY FEATURES

- Easy installation with DirectIP™ NVR
- Supports 16:9 Full HD resolution
- Vari-focal lens (f= 3 ~ 9mm)
- 3-axis mechanical design for installation
- PoE (IEEE 802.3af Class 2)
- Outdoor ready with IP66
- Two-way audio
- Alarm in / out
- Micro SD (HC)
- Supports ONVIF™

CONNECTION DIAGRAM



DIMENSIONS



SPECIFICATIONS

VIDEO		
Max. Resolution	1920x1080	
Image Sensor	1/2.7" CMOS	
Scanning Mode	Progressive scan	
Lens	Vari-focal (f= 3 - 9mm, F1.2 -2.3)	
IRIS	DC iris	
Viewing Angle	Wide : 123°(H), 64°(V), 131°(D) / Tele : 37°(H), 20°(V), 43°(D)	
Pan / Tilt Range	Pan: -167° ~ 167° / Tilt: -60° ~ 60°	
Min. Illumination (Colour, B/W)	Colour : 0.5 lux@F1.2 (30 IRE) , B/W : 0.5 lux@F1.2 (30 IRE)	
Min. object Distance	0.5m	
SNR	42dB	
Dynamic Range	70dB (90dB@digital WDR)	
Electronic Shutter Speed	Auto / Manual (1/30 ~ 1/8000), Anti-Flicker, Slow Shutter (1/7.5,1/15)	
True Day & Night	Yes (ICR)	
Video Quality Compensation	Auto Expose, Auto White Balance, Digital Noise Reduction Backlight Compensation	
Video Out	1 terminal block (NTSC/PAL Selectable)	
NETWORK		
	DirectIP™ Mode	Compatibility Mode
Video Compression	H.264 (MP), M-JPEG	
Bitrate Control	H.264 - CBR / VBR (Up to 12Mbps)	
Frame Rate	30ips@Full HD + 30ips@4CIF	
Audio Compression	G.726, G.711	
Two-way Audio	Yes	
Trigger Event	Motion detection, Alarm in, Audio detection, Tampering, Trip-zone	
Privacy Masking	Yes	
Event Buffering (Pre & Post)	Yes (Up to 60MB)	
Event Notification	Remote S/W, Email (With Image)	
IP Camera Protocol	DirectIP™ V1.0.0	IDIS V1.0.0 / ONVIF Profile S
Supports Resolutions	352x240, 640x360, 704x480 1280x720, 1920x1080	352x240, 704x480 1280x720, 1920x1080
Multi Streaming Video	Quadruple stream	Triple stream
Network Protocols	Zero configuration	RTP/RTSP/TCP RTP/UDP RTSP/TCP HTTP, HTTPS, FTP, SNMP SMTP, FEN, mDNS, uPNP
Security	SSL Encryption	Multi-User Authority, IEEE 802.1x IP Filtering, HTTPS, SSL Encryption
Remote Access Client	DirectIP™ NVR connection	IDIS Discovery, IDIS Solution Suite Compact
INTERFACE		
Ethernet	RJ45 (10/100BASE-T)	
Audio In / Out	1 (Line in) / 1 (Line out)	
Alarm In / Out	1/1	
External Storage	micro SD (SDHC)	
GENERAL		
Vandal-proof Casing	Yes	
Outdoor Ready	IP66	
Unit Dimensions (Ø x H)	160mm X 112mm	
Shipping Dimensions (W x H x D)	225mm X 275mm X 215mm	
Unit Weight	0.87kg	
Shipping Weight	1.18kg	
Starting Temperature	0°C ~ 50°C	
Working Temperature	-10°C ~ 50°C	
Operating Humidity	0% ~ 90%	
Power Source	12VDC, PoE (IEEE802.3af class 2)	
Power Consumption	4.8W	
Approvals	FCC, CE (50130-4), KC	

OPTIONAL ACCESSORIES



DA-WM1200

DA-WM1300

DA-CM1200

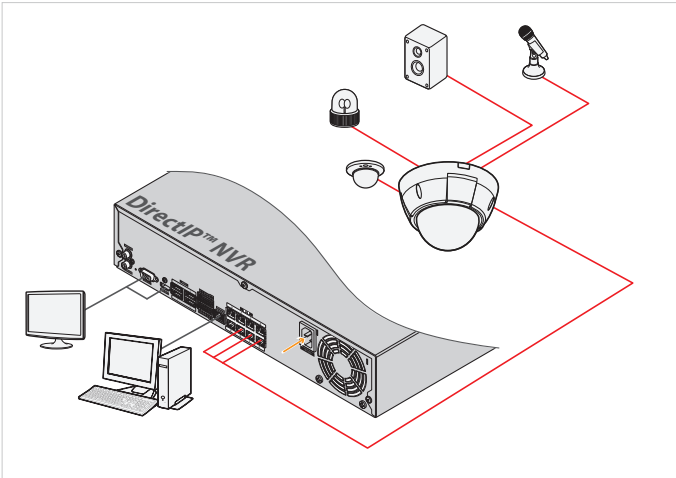
DC-D1223WR



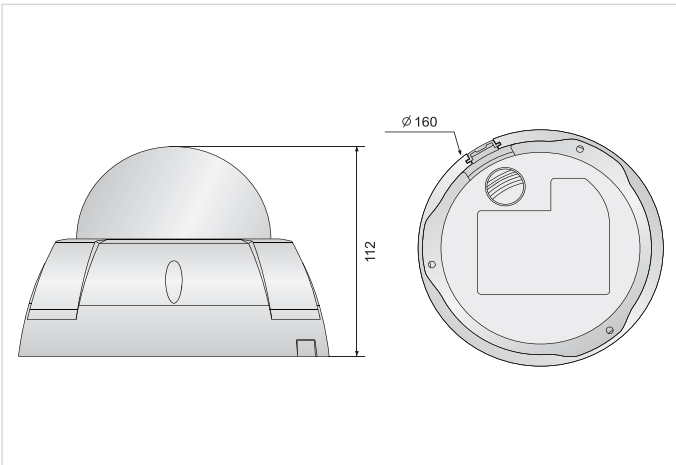
KEY FEATURES

- Easy installation with DirectIP™ NVR
- Supports 16:9 Full HD resolution
- Vari-focal lens (f= 3 ~ 9mm)
- 3-axis mechanical design for installation
- PoE (IEEE 802.3af Class 2)
- IR LED
- Two-way audio
- Alarm in / out
- Micro SD (HC)
- Outdoor ready with IP66
- Supports ONVIF™

CONNECTION DIAGRAM



DIMENSIONS



SPECIFICATIONS

VIDEO		
Max. Resolution	1920x1080	
Image Sensor	1/2.7" CMOS	
Scanning Mode	Progressive scan	
Lens	Vari-focal (f= 3 - 9mm, F1.2 -2.3)	
IRIS	DC iris	
Viewing Angle	Wide : 123°(H), 64°(V), 131°(D) / Tele : 37°(H), 20°(V), 43°(D)	
Pan / Tilt Range	Pan: -167° ~ 167° / Tilt: -60° ~ 60°	
Min. Illumination (Colour, B/W)	Colour : 0.5 lux@F1.2 (30 IRE) , B/W : 0 lux (IR LED ON)	
Min. object Distance	0.5m	
SNR	42dB	
Dynamic Range	70dB (90dB@digital WDR)	
Electronic Shutter Speed	Auto / Manual (1/30 ~ 1/8000), Anti-Flicker, Slow Shutter (1/7.5,1/15)	
True Day & Night	Yes (ICR)	
Video Quality Compensation	Auto Expose, Auto White Balance, Digital Noise Reduction Backlight Compensation	
Video Out	1 terminal block (NTSC/PAL Selectable)	
NETWORK		
	DirectIP™ Mode	Compatibility Mode
Video Compression	H.264 (MP), M-JPEG	
Bitrate Control	H.264 - CBR / VBR (Up to 12Mbps)	
Frame Rate	30ips@Full HD + 30ips@4CIF	
Audio Compression	G.726, G.711	
Two-way Audio	Yes	
Trigger Event	Motion detection, Alarm in, Audio detection, Tampering, Trip-zone	
Privacy Masking	Yes	
Event Buffering (Pre & Post)	Yes (Up to 60MB)	
Event Notification	Remote S/W, Email (With Image)	
IP Camera Protocol	DirectIP™ V1.0.0	
Supports Resolutions	352x240, 640x360, 704x480	IDIS V1.0.0 / ONVIF Profile S
	1280x720, 1920x1080	352x240, 704x480 1280x720, 1920x1080
Multi Streaming Video	Quadruple stream	Triple stream
Network Protocols	Zero configuration	RTP/RTSP/TCP
		RTP/RTSP/HTTP/TCP
		RTP/UDP RTSP/TCP
		HTTP, HTTPS, FTP, SNMP
		SMTP, FEN, mDNS, uPNP
Security	SSL Encryption	Multi-User Authority, IEEE 802.1x IP Filtering, HTTPS, SSL Encryption
Remote Access Client	DirectIP™ NVR connection	IDIS Discovery, IDIS Solution Suite Compact
INTERFACE		
Ethernet	RJ45 (10/100BASE-T)	
Audio In / Out	1 (Line in) / 1 (Line out)	
Alarm In / Out	1/1	
External Storage	micro SD (SDHC)	
GENERAL		
Vandal-proof Casing	Yes	
Outdoor Ready	IP66	
Unit Dimensions (Ø x H)	160mm X 112mm	
Shipping Dimensions (W x H x D)	225mm X 275mm X 215mm	
Unit Weight	0.87kg	
Shipping Weight	1.18kg	
Starting Temperature	0°C~ 50°C	
Working Temperature	-10°C~ 50°C	
Operating Humidity	0% ~ 90%	
Power Source	12VDC, PoE (IEEE802.3af class 2)	
Power Consumption	4.8W	
Approvals	FCC, CE (50130-4), KC	

OPTIONAL ACCESSORIES



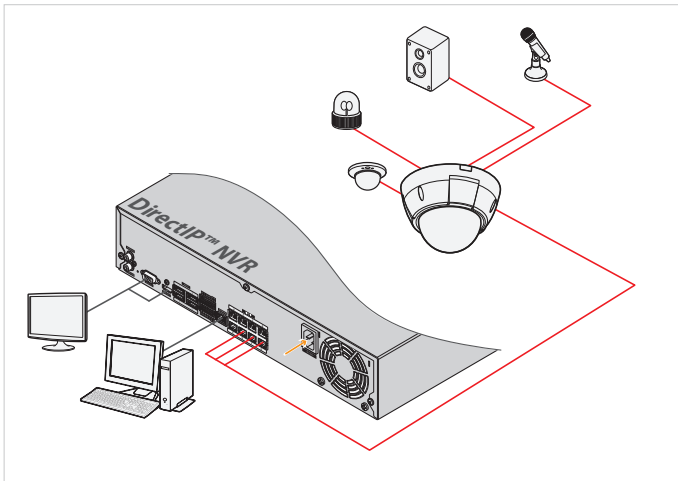
DC-D1223WHR



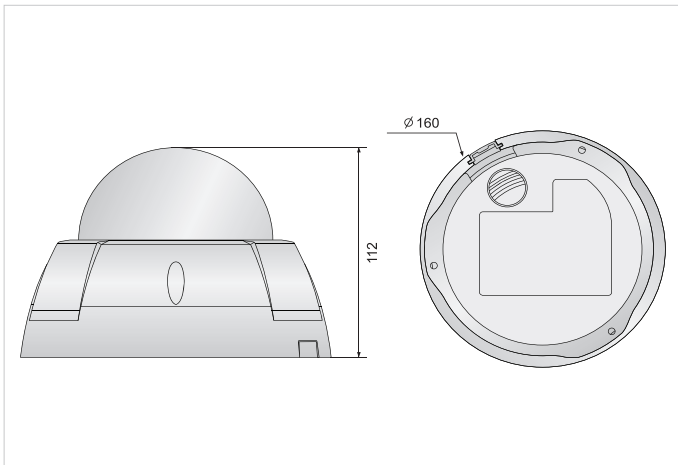
KEY FEATURES

- Easy installation with DirectIP™ NVR
- Supports 16:9 Full HD resolution
- Vari-focal lens (f= 3 ~ 9mm)
- 3-axis mechanical design for installation
- PoE (IEEE 802.3af Class 2)
- IR LED
- Two-way audio
- Alarm in / out
- Micro SD (HC)
- Outdoor ready with IP66, Heater
- Supports ONVIF™

CONNECTION DIAGRAM



DIMENSIONS



SPECIFICATIONS

VIDEO		
Max. Resolution	1920x1080	
Image Sensor	1/2.7" CMOS	
Scanning Mode	Progressive scan	
Lens	Vari-focal (f= 3 - 9mm, F1.2 -2.3)	
IRIS	DC iris	
Viewing Angle	Wide : 123°(H), 64°(V), 131°(D) / Tele : 37°(H), 20°(V), 43°(D)	
Pan / Tilt Range	Pan: -167° ~ 167° / Tilt: -60° ~ 60°	
Min. Illumination (Colour, B/W)	Colour : 0.5 lux@F1.2 (30 IRE) , B/W : 0 lux (IR LED ON)	
Min. object Distance	0.5m	
SNR	42dB	
Dynamic Range	70dB (90dB@digital WDR)	
Electronic Shutter Speed	Auto / Manual (1/30 ~ 1/8000), Anti-Flicker, Slow Shutter (1/7.5,1/15)	
True Day & Night	Yes (ICR)	
Video Quality Compensation	Auto Expose, Auto White Balance, Digital Noise Reduction Backlight Compensation	
Video Out	1 terminal block (NTSC/PAL Selectable)	
NETWORK		
	DirectIP™ Mode	Compatibility Mode
Video Compression	H.264 (MP), M-JPEG	
Bitrate Control	H.264 - CBR / VBR (Up to 12Mbps)	
Frame Rate	30ips@Full HD + 30ips@4CIF	
Audio Compression	G.726, G.711	
Two-way Audio	Yes	
Trigger Event	Motion detection, Alarm in, Audio detection, Tampering, Trip-zone	
Privacy Masking	Yes	
Event Buffering (Pre & Post)	Yes (Up to 60MB)	
Event Notification	Remote S/W, Email (With Image)	
IP Camera Protocol	DirectIP™ V1.0.0	
Supports Resolutions	352x240, 640x360, 704x480	IDIS V1.0.0 / ONVIF Profile S
	1280x720, 1920x1080	352x240, 704x480 1280x720, 1920x1080
Multi Streaming Video	Quadruple stream	Triple stream
Network Protocols	Zero configuration	
	RTP/RTSP/TCP	
	RTP/UDP RTSP/TCP	
	HTTP, HTTPS, FTP, SNMP	
	SMTP, FEN, mDNS, uPNP	
Security	SSL Encryption	Multi-User Authority, IEEE 802.1x IP Filtering, HTTPS, SSL Encryption
	Remote Access Client	DirectIP™ NVR connection
INTERFACE		
Ethernet	RJ45 (10/100BASE-T)	
Audio In / Out	1 (Line in) / 1 (Line out)	
Alarm In / Out	1/1	
External Storage	micro SD (SDHC)	
GENERAL		
Vandal-proof Casing	Yes	
Outdoor Ready	IP66, Heater	
Unit Dimensions (Ø x H)	160mm X 112mm	
Shipping Dimensions (W x H x D)	225mm X 275mm X 215mm	
Unit Weight	0.87kg	
Shipping Weight	1.18kg	
Starting Temperature	-20°C ~ 50°C(Heater on DC 12V input only)	
	0°C ~ 50°C(W/O Heater_using PoE)	
Working Temperature	-20°C ~ 50°C(Heater on DC 12V input only)	
	-10°C ~ 50°C(W/O Heater_using PoE)	
Operating Humidity	0% ~ 90%	
Power Source	12VDC, PoE (IEEE802.3af class 2)	
Power Consumption	19.2W(Heater on DC 12V input)	
Approvals	FCC, CE (50130-4), KC	

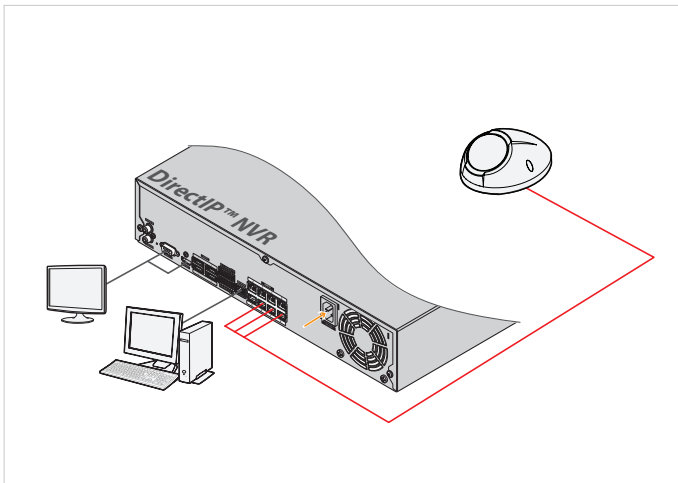
DC-F1211



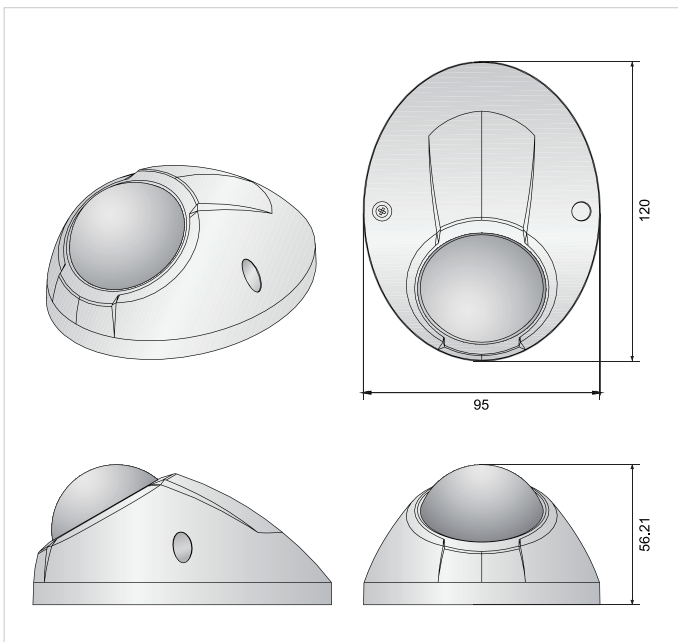
KEY FEATURES

- Easy installation with DirectIP™ NVR
- Supports 16:9 Full HD resolution
- 3-axis mechanical design for installation
- Mini flat dome
- Supports ONVIF™

CONNECTION DIAGRAM



DIMENSIONS



SPECIFICATIONS

VIDEO		
Max. Resolution	1920 x 1080	
Image Sensor	1/2.7" CMOS	
Scanning Mode	Progressive scan	
Lens	Fixed-focal (f=3.43mm, F1.6)	
IRIS	Fixed IRIS	
Viewing Angle	T.B.D.	
Min. Illumination (Colour, B/W)	Colour : 0.5lux@F1.6 (30IRE), B/W : 0.5lux@F1.6 (30IRE)	
Min. object Distance	T.B.D.	
SNR	32dB	
Dynamic Range	75dB (90dB@digital WDR)	
Electronic Shutter Speed	Auto / Manual (1/30 ~ 1/8000), Anti-Flicker, Slow Shutter (1/7.5, 1/15)	
Video Quality Compensation	Auto Expose, Auto White Balance, Digital Noise Reduction, Backlight Compensation	
Video Out	1 BNC	
NETWORK		
	DirectIP™ Mode	Compatibility Mode
Video Compression	H.264 (MP), M-JPEG	
Bitrate Control	H.264 - CBR / VBR (Up to 8Mbps)	
Frame Rate	30ips@Full HD + 30ips@4CIF	
Trigger Event	Motion detection, Tampering, Trip-zone	
Privacy Masking	Yes	
Event Buffering (Pre & Post)	Yes (Up to 60MB)	
Event Notification	Remote S/W, Email (With Image)	
IP Camera Protocol	DirectIP™ V1.0.0	
Supports Resolutions	352x240, 640x360, 704x480	IDIS V1.0.0 / ONVIF Profile S
	1280x720, 1920x1080	352x240, 704x480 1280x720, 1920x1080
Multi Streaming Video	Quadruple stream	Triple stream
Network Protocols	Zero configuration	
	RTP/RTSP/TCP	
	RTP/UDP RTSP/TCP	
	HTTP, HTTPS, FTP, SNMP	
Security	SSL Encryption	Multi-User Authority, IEEE 802.1x
		IP Filtering, HTTPS, SSL Encryption
Remote Access Client	DirectIP™ NVR connection	IDIS Discovery, IDIS Solution Suite Compact
INTERFACE		
Ethernet	RJ45 (10/100BASE-T)	
GENERAL		
Unit Dimensions (W x H x D)	95mm x 56.21mm x 120mm	
Shipping Dimensions (W x H x D)	149mm x 113mm x 194mm	
Unit Weight	0.35kg	
Shipping Weight	0.5kg	
Starting Temperature	0°C ~ 50°C	
Working Temperature	-10°C ~ 50°C	
Operating Humidity	0% ~ 90%	
Power Source	PoE (IEEE802.3af class 2)	
Power Consumption	4.8W	
Approvals	FCC, CE (50130-4), KC	

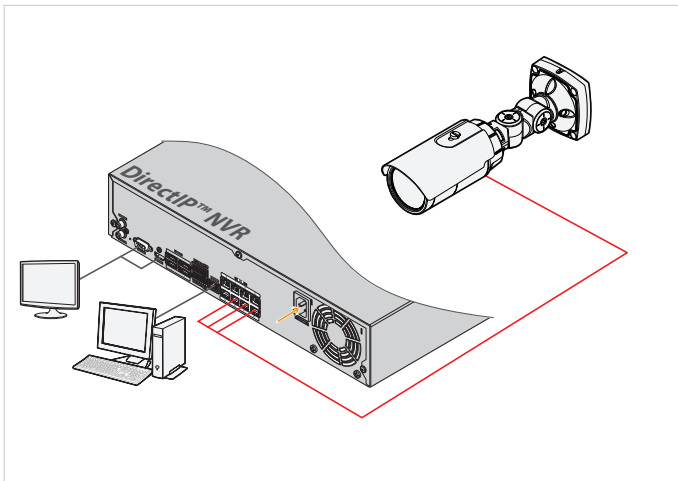
DC-T1232WR



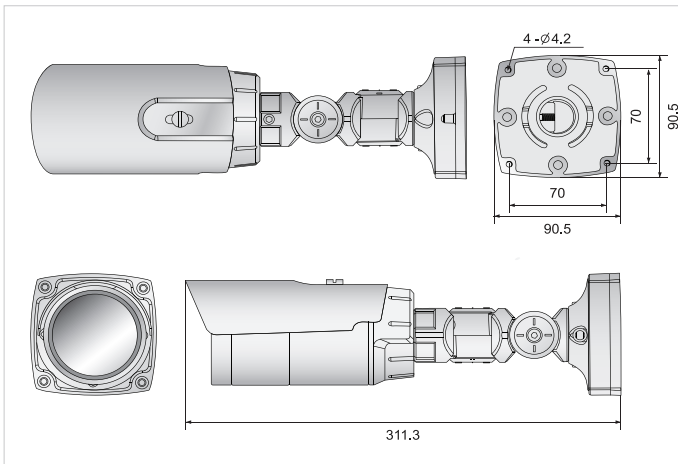
KEY FEATURES

- Easy installation with DirectIP™ NVR
- Supports 16:9 Full HD resolution
- Motorized Focus Zoom lens(f= 3 ~ 9mm)
- 3-axis mechanical design for installation
- IR LED
- Outdoor ready with IP66
- Supports ONVIF™

CONNECTION DIAGRAM



DIMENSIONS



SPECIFICATIONS

VIDEO		
Max. Resolution	1920 x 1080	
Image Sensor	1/2.9" CMOS	
Scanning Mode	Progressive scan	
Lens	Motorized Focus Zoom lens (f= 3 ~ 9mm F1.2-2.1)	
IRIS	DC iris	
Viewing Angle	T.B.D.	
Min. Illumination (Colour, B/W)	Colour : 0.5lux @F1.2 (30IRE), B/W : 0 Lux (IR LED ON)	
Min. object Distance	T.B.D.	
SNR	32dB	
Dynamic Range	75dB (90dB@digital WDR)	
Electronic Shutter Speed	Auto / Manual (1/30 ~ 1/8000), Anti-Flicker, Slow Shutter (1/7.5,1/15)	
True Day & Night	Yes (ICR)	
Video Quality Compensation	Auto Expose, Auto White Balance, Digital Noise Reduction Backlight Compensation	
NETWORK		
	DirectIP™ Mode	Compatibility Mode
	H.264 (MP), M-JPEG	
Video Compression	H.264 - CBR / VBR (Up to 12Mbps)	
Bitrate Control	30ips@Full HD + 30ips@4CIF	
Frame Rate	No	
Audio Compression	No	
Two-way Audio	Motion detection, Tampering, Trip-zone	
Trigger Event	Yes	
Privacy Masking	Yes (Up to 60MB)	
Event Buffering (Pre & Post)	Remote S/W, Email (With Image)	
Event Notification	DirectIP™ V1.0.0	
IP Camera Protocol	352x240, 640x360, 704x480	IDIS V1.0.0 / ONVIF Profile S
Supports Resolutions	1280x720, 1920x1080	352x240, 704x480 1280x720, 1920x1080
Multi Streaming Video	Quadruple stream	Triple stream
Network Protocols	Zero configuration	RTP/RTSP/TCP RTP/RTSP/HTTP/TCP RTP/UDP RTSP/TCP HTTP, HTTPS, FTP, SNMP SMTP, FEN, mDNS, uPNP
Security	SSL Encryption	Multi-User Authority, IEEE 802.1x IP Filtering, HTTPS, SSL Encryption
Remote Access Client	DirectIP™ NVR connection	IDIS Discovery, IDIS Solution Suite Compact
INTERFACE		
Ethernet	RJ45 (10/100BASE-T)	
GENERAL		
Vandal-proof Casing	Yes	
Outdoor Ready	IP66	
Unit Dimensions (W x H x D)	90.5mm x 90.5mm x 311.3mm	
Shipping Dimensions (W x H x D)	219mm x 133mm x 355mm	
Unit Weight	1.17kg	
Shipping Weight	1.94kg	
Starting Temperature	0°C ~ 50°C	
Working Temperature	-10°C ~ 50°C	
Operating Humidity	0% ~ 90%	
Power Source	12V DC, PoE (IEEE 802.3af class 3)	
Power Consumption	T.B.D.	
Approvals	FCC, CE (50130-4), KC	

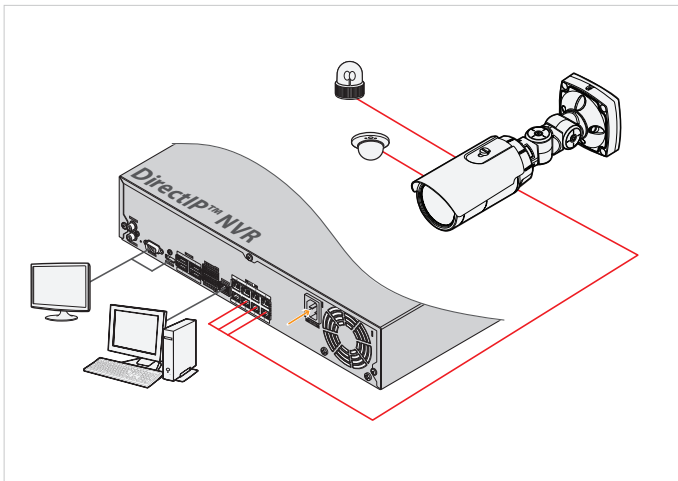
DC-T1233WHR



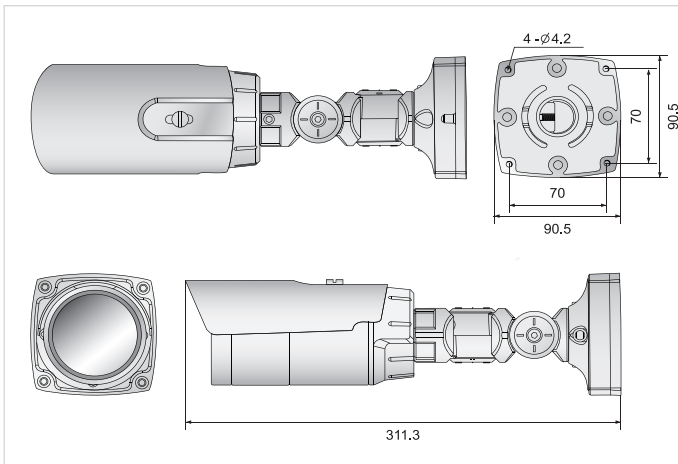
KEY FEATURES

- Easy installation with DirectIP™ NVR
- Supports 16:9 Full HD resolution
- Motorized Focus Zoom lens(f= 3 ~ 9mm)
- 3-axis mechanical design for installation
- IR LED
- Two-way audio
- Outdoor ready with IP66, heater
- Supports ONVIF™

CONNECTION DIAGRAM



DIMENSIONS



SPECIFICATIONS

VIDEO		
Max. Resolution	1920x1080	
Image Sensor	1/2.7" CMOS	
Scanning Mode	Progressive scan	
Lens	Motorized Focus Zoom lens(f= 3 ~ 9mm F1.2-2.1)	
IRIS	DC iris	
Viewing Angle	T.B.D.	
Min. Illumination (Colour, B/W)	Colour : T.B.D. @F1.2 (30IRE), B/W : 0 Lux (IR LED ON)	
Min. object Distance	T.B.D.	
SNR	32dB	
Dynamic Range	75dB (90dB@digital WDR)	
Electronic Shutter Speed	Auto / Manual (1/30 ~ 1/8000), Anti-Flicker, Slow Shutter (1/7.5,1/15)	
True Day & Night	Yes (ICR)	
Video Quality Compensation	Auto Expose, Auto White Balance, Digital Noise Reduction Backlight Compensation	
NETWORK		
	DirectIP™ Mode	Compatibility Mode
Video Compression	H.264 (MP)	
Bitrate Control	H.264 - CBR / VBR (Up to 12Mbps)	
Frame Rate	30ips @Full HD + 30ips@4CIF	
Audio Compression	G.726, G.711	
Two-way Audio	Yes	
Trigger Event	Motion detection, Audio detection, Tampering, Trip-zone	
Privacy Masking	Yes	
Event Buffering (Pre & Post)	Yes (Up to 60MB)	
Event Notification	Remote S/W, Email (With Image)	
IP Camera Protocol	DirectIP™ V1.0.0	IDIS V1.0.0 / ONVIF Profile S
Supports Resolutions	352x240, 640x360, 704x480	352x240, 704x480 1280x720, 1920x1080
Multi Streaming Video	Quadruple stream	Triple stream
Network Protocols	Zero configuration	RTP/RTSP/TCP RTP/RTSP/HTTP/TCP RTP/UDP RTSP/TCP HTTP, HTTPS, FTP, SNMP SMTP, FEN, mDNS, uPNP
Security	SSL Encryption	Multi-User Authority, IEEE 802.1x IP Filtering, HTTPS, SSL Encryption
Remote Access Client	DirectIP™ NVR connection	IDIS Discovery, IDIS Solution Suite Compact
INTERFACE		
Ethernet	RJ45 (10/100BASE-T)	
Audio In / Out	1 (Line in) / 1 (Line out)	
GENERAL		
Vandal-proof Casing	Yes	
Outdoor Ready	IP66, Heater	
Unit Dimensions (W x H x D)	90.5mm x 90.5mm x 311.3mm	
Shipping Dimensions (W x H x D)	219mm x 133mm x 355mm	
Unit Weight	1.17kg	
Shipping Weight	1.94kg	
Starting Temperature	-20°C ~ 50°C	
Working Temperature	-20°C ~ 50°C	
Operating Humidity	0% ~ 90%	
Power Source	12VDC, PoE (IEEE 802.3af class 3)	
Power Consumption	Max. 18W	
Approvals	FCC, CE (50130-4), KC	

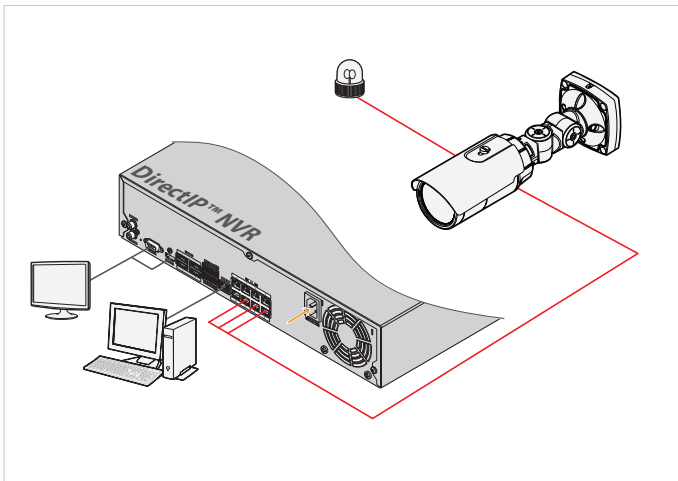
DC-T1234WR



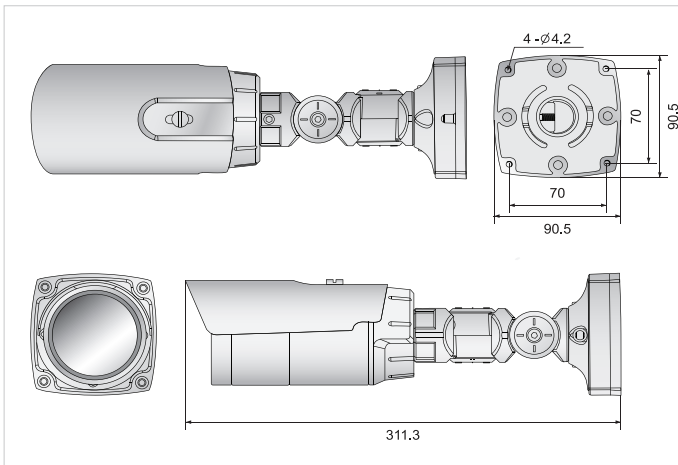
KEY FEATURES

- Easy installation with DirectIP™ NVR
- Supports 16:9 Full HD resolution
- Motorized Focus Zoom lens (f= 3 ~ 9mm)
- 3-axis mechanical design for installation
- IR LED
- Outdoor ready with IP66
- Supports ONVIF™

CONNECTION DIAGRAM



DIMENSIONS



SPECIFICATIONS

VIDEO		
Max. Resolution	1920x1080	
Image Sensor	1/2.7" CMOS	
Scanning Mode	Progressive scan	
Lens	Motorized Focus Zoom lens (f= 3 ~ 9mm F1.2-2.1)	
IRIS	DC iris	
Viewing Angle	T.B.D.	
Min. Illumination (Colour, B/W)	Colour : T.B.D. @F1.2 (30IRE), B/W : 0 Lux(IR LED ON)	
Min. object Distance	T.B.D.	
SNR	32dB	
Dynamic Range	75dB (90dB@digital WDR)	
Electronic Shutter Speed	Auto / Manual (1/30 ~ 1/8000), Anti-Flicker Slow Shutter (1/7.5, 1/15)	
True Day & Night	Yes (ICR)	
Video Quality Compensation	Auto Expose, Auto White Balance, Digital Noise Reduction Backlight Compensation	
NETWORK		
	DirectIP™ Mode	Compatibility Mode
Video Compression	H.264 (MP)	
Bitrate Control	H.264 - CBR / VBR (Up to 12Mbps)	
Frame Rate	30ips @Full HD + 30ips@4CIF	
Trigger Event	Motion detection, Audio detection, Tampering, Trip-zone	
Privacy Masking	Yes	
Event Buffering (Pre & Post)	Yes (Up to 60MB)	
Event Notification	Remote S/W, Email (With Image)	
IP Camera Protocol	DirectIP™ V1.0.0	IDIS V1.0.0 / ONVIF Profile S
Supports Resolutions	352x240, 640x360, 704x480 1280x720, 1920x1080	352x240, 704x480 1280x720, 1920x1080
Multi Streaming Video	Triple stream	
Network Protocols	Zero configuration	RTP/RTSP/TCP RTP/RTSP/HTTP/TCP RTP/UDP RTSP/TCP HTTP, HTTPS, FTP, SNMP SMTP, FEN, mDNS, uPNP
Security	SSL Encryption	Multi-User Authority, IEEE 802.1x IP Filtering, HTTPS, SSL Encryption
Remote Access Client	DirectIP™ NVR connection	IDIS Discovery, IDIS Solution Suite Compact
INTERFACE		
Ethernet	RJ45 (10/100BASE-T)	
Audio In / Out	1 (Line in) / 1 (Line out)	
GENERAL		
Vandal-proof Casing	Yes	
Outdoor Ready	IP66, Heater	
Unit Dimensions (W x H x D)	90.5mm x 90.5mm x 311.3mm	
Shipping Dimensions (W x H x D)	219mm x 133mm x 355mm	
Unit Weight	1.17kg	
Shipping Weight	1.94kg	
Starting Temperature	-20°C ~ 50°C	
Working Temperature	-20°C ~ 50°C	
Operating Humidity	0% ~ 90%	
Power Source	12VDC, PoE (IEEE 802.3af class 3)	
Power Consumption	Max. 18W	
Approvals	FCC, CE (50130-4), KC	

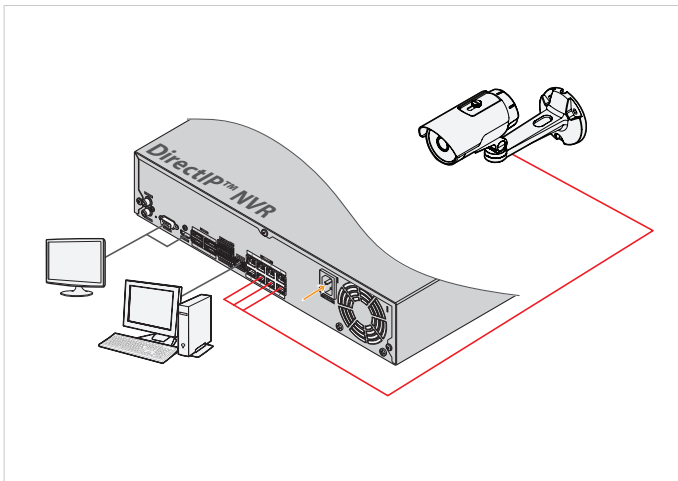
DC-E1212WR



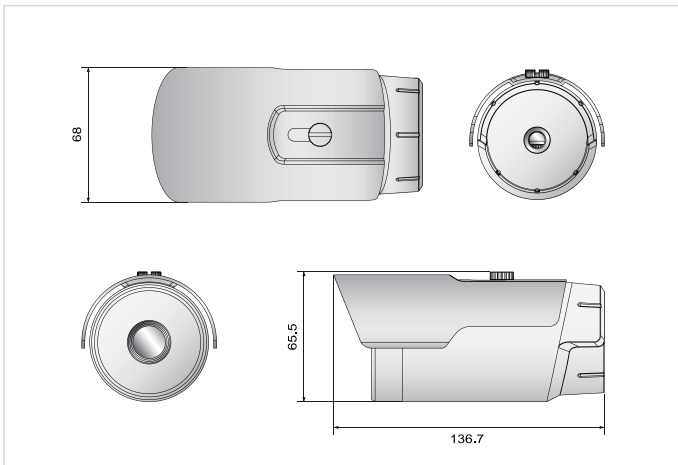
KEY FEATURES

- Easy installation with DirectIP™ NVR
- Supports 16:9 Full HD resolution
- 3-axis mechanical design for installation
- IR LED
- Outdoor ready with IP66
- Supports ONVIF™

CONNECTION DIAGRAM



DIMENSIONS



SPECIFICATIONS

VIDEO		
Max. Resolution	1920 x 1080	
Image Sensor	1/2.7" CMOS	
Scanning Mode	Progressive scan	
Lens	Fixed focal (f= 6mm)	
IRIS	DC iris	
Viewing Angle	Wide : 115°(H), 62°(V) Tele : 30°(H), 18°(V)	
Min. Illumination (Colour, B/W)	Colour : 0.5 Lux @F1.2 (30IRE), B/W : 0 Lux(IR LED ON)	
Min. object Distance	0.3 m	
SNR	45dB	
Dynamic Range	70dB (90dB@digital WDR)	
Electronic Shutter Speed	Auto / Manual (1/30 - 1/8000), Anti-Flicker, Slow Shutter (1/7.5,1/15)	
True Day & Night	Yes (ICR)	
Video Quality Compensation	Auto Expose, Auto White Balance, Digital Noise Reduction Backlight Compensation	
Video Out	1 BNC	
NETWORK		
	DirectIP™ Mode	Compatibility Mode
Video Compression	H.264 (MP), M-JPEG	
Bitrate Control	H.264 - CBR / VBR (Up to 12Mbps)	
Frame Rate	30ips @Full HD + 30ips@4CIF	
Trigger Event	Motion detection, Tampering, Trip-zone	
Privacy Masking	Yes	
Event Buffering (Pre & Post)	Yes (Up to 60MB)	
Event Notification	Remote S/W, Email (With Image)	
IP Camera Protocol	DirectIP™ V1.0.0	IDIS V1.0.0 / ONVIF Profile S
Supports Resolutions	352x240, 640x360, 704x480	352x240, 704x480 1280x720, 1920x1080
Multi Streaming Video	Quadruple stream	Triple stream
Network Protocols	Zero configuration	RTP/RTSP/TCP RTP/RTSP/HTTP/TCP RTP/UDP RTSP/TCP HTTP, HTTPS, FTP, SNMP SMTP, FEN, mDNS, uPNP
Security	SSL Encryption	Multi-User Authority, IEEE 802.1x IP Filtering, HTTPS, SSL Encryption
Remote Access Client	DirectIP™ NVR connection	IDIS Discovery, IDIS Solution Suite Compact
INTERFACE		
Ethernet	RJ45 (10/100BASE-T)	
GENERAL		
Vandal-proof Casing	Yes	
Outdoor Ready	IP66	
Unit Dimensions (W x H x D)	68mm X 65.5mm X136.7mm	
Shipping Dimensions (W x H x D)	200mm x 127mm x 169mm	
Unit Weight	0.51kg	
Shipping Weight	0.81kg	
Starting Temperature	0°C ~ 50°C	
Working Temperature	-10°C ~ 50°C	
Operating Humidity	0% ~ 90%	
Power Source	PoE(IEEE 802.3af class 2)	
Power Consumption	7W	
Approvals	FCC, CE (50130-4), KC	

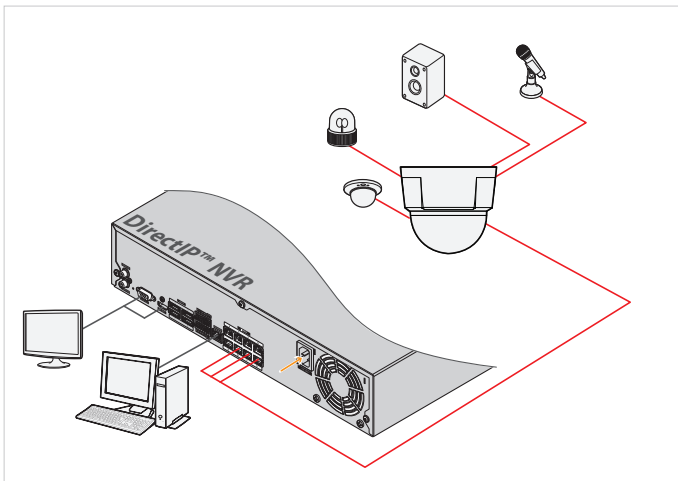
DC-S1263W



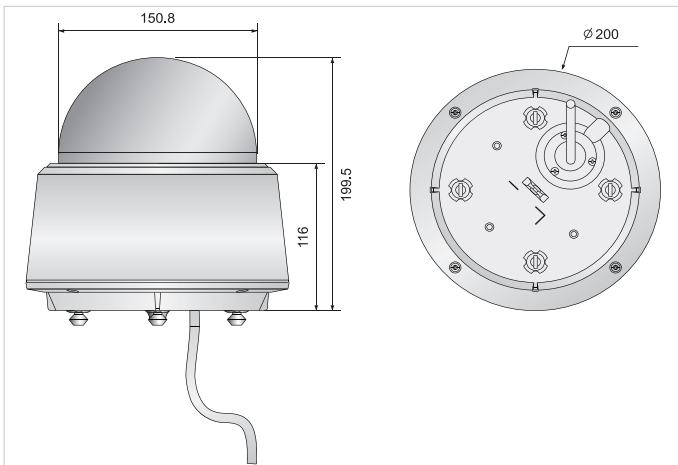
KEY FEATURES

- Easy installation with DirectIP™ NVR
- Supports 16:9 Full HD resolution
- 18X A/F optical zoom
- PoE (IEEE 802.3af Class 3)
- Micro SD (HC)
- Two-way audio
- Alarm in / out
- Outdoor ready with IP66
- Supports ONVIF™

CONNECTION DIAGRAM



DIMENSIONS



SPECIFICATIONS

VIDEO		
Max. Resolution	1920x1080	
Image Sensor	1/2.9" CMOS	
Scanning Mode	Progressive scan	
Lens	Vari-focal (f= 4.7 - 84.6mm, F1.6 - 2.8)	
Optical Zoom / AF	18X A/F Optical Zoom	
IRIS	DC iris	
Viewing Angle	Wide : 58.5°(H), 33.5°(V), 64.9°(D) Tele : 4.1°(H), 2.4°(V), 4.7°(D)	
Pan / Tilt Range	Pan: 360° (Continuous) / Tilt: -10~190°	
Pan/Tilt Speed	Pan: 0.1~180°/sec (preset 420°/sec) / Tilt: 0.1~180°/sec (preset 420°/sec)	
Min. Illumination (Colour, B/W)	Colour : 0.5 lux@F1.6 (30 IRE) , B/W : 0.5 lux@F1.6 (30 IRE)	
Min. object Distance	1.0m	
SNR	45dB	
Dynamic Range	70dB (90dB@digital WDR)	
Electronic Shutter Speed	Auto / Manual (1/30 - 1/8000), Anti-Flicker, Slow Shutter (1/7.5,1/15)	
True Day & Night	Yes (ICR)	
Video Quality Compensation	Auto Expose, Auto White Balance, Digital Noise Reduction Backlight Compensation	
Video Out	1 terminal block (NTSC/PAL Selectable)	
NETWORK		
	DirectIP™ Mode	Compatibility Mode
Video Compression	H.264 (MP), M-JPEG	
Bitrate Control	H.264 - CBR / VBR (Up to 12Mbps)	
Frame Rate	30ips@Full HD+ 30ips@4CIF	
Audio Compression	G.726, G.711	
Two-way Audio	Yes	
Trigger Event	Motion detection, Alarm in, Audio detection, Tampering, Trip-zone	
Privacy Masking	Yes	
Event Buffering (Pre & Post)	Yes (Up to 60MB)	
Event Notification	Remote S/W, Email (With Image)	
IP Camera Protocol	DirectIP™ V1.0.0	IDIS V1.0.0 / ONVIF Profile S
Supports Resolutions	352x240, 640x360, 704x480	352x240, 704x480
	1280x720, 1920x1080	1280x720, 1920x1080
Multi Streaming Video	Quadruple stream	Triple stream
Network Protocols	Zero configuration	RTP/RTSP/TCP
		RTP/RTSP/HTTP/TCP
		RTP/UDP RTSP/TCP
		HTTP, HTTPS, FTP, SNMP
		SMTP, FEN, mDNS, uPNP
Security	SSL Encryption	Multi-User Authority, IEEE 802.1x
		IP Filtering, HTTPS, SSL Encryption
Remote Access Client	DirectIP™ NVR connection	IDIS Discovery, IDIS Solution Suite Compact
INTERFACE		
Ethernet	RJ45 (10/100BASE-T)	
Audio In / Out	1 (Line in) / 1 (Line out)	
Alarm In / Out	1/1	
External Storage	micro SD (SDHC)	
GENERAL		
Vandal-proof Casing	Yes	
Outdoor Ready	IP66	
Unit Dimensions (Ø x H)	200mm X 199.5mm	
Shipping Dimensions (W x H x D)	275mm X 320mm X 275mm	
Unit Weight	2.45kg	
Shipping Weight	T.B.D.	
Starting Temperature	0°C~ 50°C	
Working Temperature	-10°C~ 50°C	
Operating Humidity	0% ~ 90%	
Power Source	12VDC, 24VAC, PoE (IEEE802.3af class 3)	
Power Consumption	9W	
Approvals	FCC, CE (50130-4), KC	

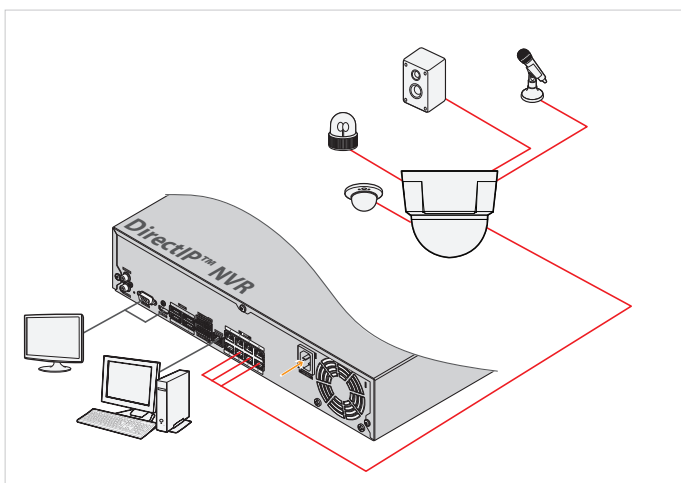
DC-S1263WH



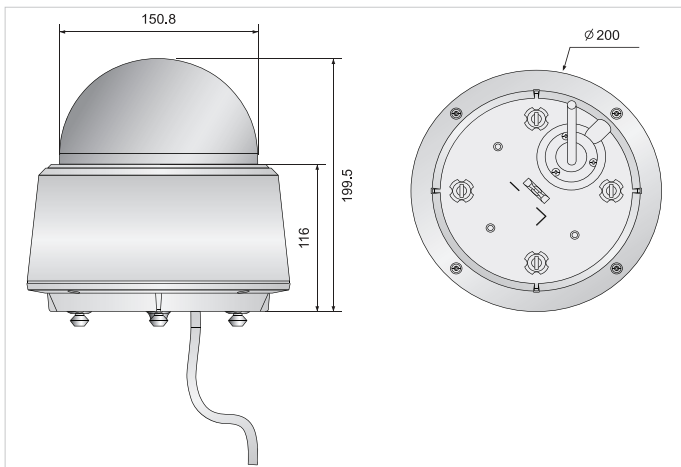
KEY FEATURES

- Easy installation with DirectIP™ NVR
- Supports 16:9 Full HD resolution
- 18X A/F optical zoom
- PoE (IEEE 802.3at Class 4)
- Micro SD (HC) Support
- Two-way audio
- Alarm in / out
- Outdoor ready with IP66, Heater
- Supports ONVIF™

CONNECTION DIAGRAM



DIMENSIONS



SPECIFICATIONS

VIDEO		
Max. Resolution	1920x1080	
Image Sensor	1/2.9" CMOS	
Scanning Mode	Progressive scan	
Lens	Vari-focal (f= 4.7 - 84.6mm, F1.6 - 2.8)	
Optical Zoom / AF	18X A/F Optical Zoom	
IRIS	DC iris	
Viewing Angle	Wide : 58.5°(H), 33.5°(V), 64.9°(D) Tele : 4.1°(H), 2.4°(V), 4.7°(D)	
Pan / Tilt Range	Pan: 360° (Continuous) / Tilt: -10~190°	
Pan/Tilt Speed	Pan: 0.1~180°/sec (preset 420°/sec) / Tilt: 0.1~180°/sec (preset 420°/sec)	
Min. Illumination (Colour, B/W)	Colour : 0.5 lux@F1.6 (30 IRE) , B/W : 0.5 lux@F1.6 (30 IRE)	
Min. object Distance	1.0m	
SNR	45dB	
Dynamic Range	70dB (90dB@digital WDR)	
Electronic Shutter Speed	Auto / Manual (1/30 ~ 1/8000), Anti-Flicker, Slow Shutter (1/7.5,1/15)	
True Day & Night	Yes (ICR)	
Video Quality Compensation	Auto Expose, Auto White Balance, Digital Noise Reduction Backlight Compensation	
Video Out	1 terminal block (NTSC/PAL Selectable)	
NETWORK		
	DirectIP™ Mode	Compatibility Mode
Video Compression	H.264 (MP), M-JPEG	
Bitrate Control	H.264 - CBR / VBR (Up to 12Mbps)	
Frame Rate	30ips@Full HD + 30ips@4CIF	
Audio Compression	G.726, G.711	
Two-way Audio	Yes	
Trigger Event	Motion detection, Alarm in, Audio detection, Tampering, Trip-zone	
Privacy Masking	Yes	
Event Buffering (Pre & Post)	Yes (Up to 60M)	
Event Notification	Remote S/W, Email (With Image)	
IP Camera Protocol	DirectIP V1.0.0	IDIS V1.0.0 / ONVIF Profile S
Supports Resolutions	352x240, 640x360, 704x480 1280x720, 1920x1080	352x240, 704x480 1280x720, 1920x1080
Multi Streaming Video	Quadruple stream	Triple stream
Network Protocols	Zero configuration	RTP/RTSP/TCP RTP/RTSP/HTTP/TCP RTP/UDP RTSP/TCP HTTP, HTTPS, FTP, SNMP SMTP, FEN, mDNS, uPNP
Security	SSL Encryption	Multi-User Authority, IEEE 802.1x IP Filtering, HTTPS, SSL Encryption
Remote Access Client	DirectIP™ NVR connection	IDIS Discovery, IDIS Solution Suite Compact
INTERFACE		
Ethernet	RJ45 (10/100BASE-T)	
Audio In / Out	1 (Line in) / 1 (Line out)	
Alarm In / Out	1/1	
External Storage	micro SD (SDHC)	
GENERAL		
Vandal-proof Casing	Yes	
Outdoor Ready	IP66, Heater	
Unit Dimensions (Ø x H)	200mm X 199.5mm	
Shipping Dimensions (W x H x D)	275mm X 320mm X 275mm	
Unit Weight	2.45kg	
Shipping Weight	T.B.D.	
Starting Temperature	-15°C~ 50°C	
Working Temperature	-40°C~ 50°C	
Operating Humidity	0% ~ 90%	
Power Source	12VDC, 24VAC, PoE(IEEE802.3at class 4)	
Power Consumption	23W	
Approvals	FCC, CE (50130-4), KC	

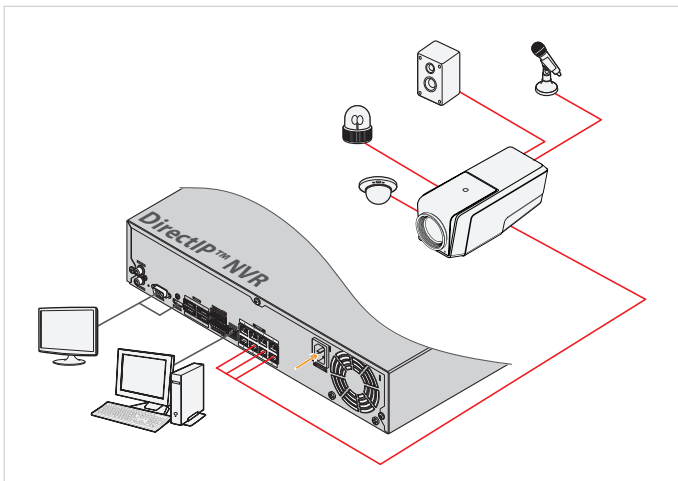
DC-Z1163



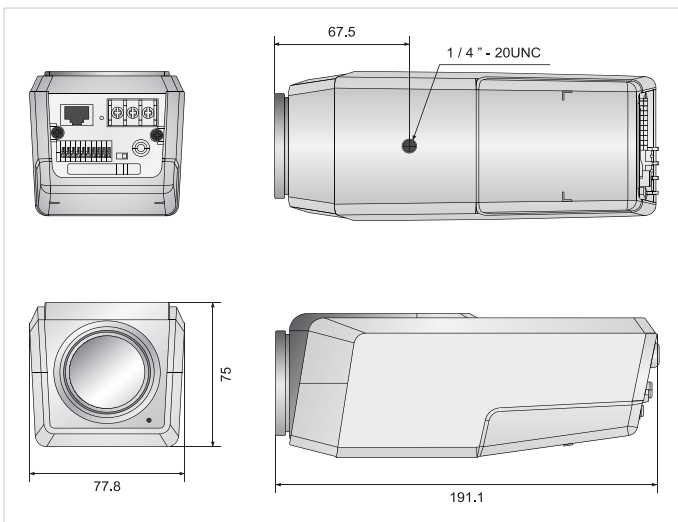
KEY FEATURES

- Easy installation with DirectIP™ NVR
- Supports 16:9 HD resolution
- 18X A/F optical zoom
- PoE (IEEE 802.3af Class 2),
- SD (HC)
- Two-way audio
- Alarm in / out
- Supports ONVIF™

CONNECTION DIAGRAM



DIMENSIONS



SPECIFICATIONS

VIDEO		
Max. Resolution	1280 x 720	
Image Sensor	1/2.9" CMOS	
Scanning Mode	Progressive scan	
Lens	Vari-focal (f= 4.7 - 84.6mm, F1.6 - 2.8)	
Optical Zoom / AF	18X A/F Optical zoom	
IRIS	DC iris	
Viewing Angle	Wide : 58.5°(H), 33.5°(V), 64.9°(D) Tele : 4.1°(H), 2.4°(V), 4.7°(D)	
Min. Illumination (Colour, B/W)	Colour : 0.5 lux@F1.6 (30 IRE) , B/W : 0.5 lux@F1.6 (30 IRE)	
Min. object Distance	1.0m	
SNR	45dB	
Dynamic Range	70dB (90dB@digital WDR)	
Electronic Shutter Speed	Auto / Manual (1/30 ~ 1/8000), Anti-Flicker, Slow Shutter (1/7.5,1/15)	
True Day & Night	Yes (ICR)	
Video Quality Compensation	Auto Expose, Auto White Balance, Digital Noise Reduction Backlight Compensation	
Video Out	1 terminal block (NTSC/PAL Selectable)	
NETWORK		
	DirectIP™ Mode	Compatibility Mode
Video Compression	H.264 (MP), M-JPEG	
Bitrate Control	H.264 - CBR / VBR (Up to 8Mbps)	
Frame Rate	30ips@HD + 15ips@HD	
Audio Compression	G.726, G.711	
Two-way Audio	Yes	
Trigger Event	Motion detection, Alarm in, Audio detection, Tampering, Trip-zone	
Privacy Masking	Yes	
Event Buffering (Pre & Post)	Yes (Up to 60MB)	
Event Notification	Remote S/W, Email (With Image)	
IP Camera Protocol	DirectIP™ V1.0.0	IDIS V1.0.0 / ONVIF Profile S
Supports Resolutions	352x240, 640x360, 704x480 1280x720	352x240, 704x480 1280x720
Multi Streaming Video	Quadruple stream	Triple stream
Network Protocols	Zero configuration	RTP/RTSP/TCP RTP/RTSP/HTTP/TCP RTP/UDP RTSP/TCP HTTP, HTTPS, FTP, SNMP SMTP, FEN, mDNS, uPNP
Security	SSL Encryption	Multi-User Authority, IEEE 802.1x IP Filtering, HTTPS, SSL Encryption
Remote Access Client	DirectIP™ NVR connection	IDIS Discovery, IDIS Solution Suite Compact
INTERFACE		
Ethernet	RJ45 (10/100BASE-T)	
Audio In / Out	1 (Line In)+ 1 (Mic. In) / 1 (Line Out)	
Alarm In / Out	1 / 1	
External Storage	SD (SDHC)	
GENERAL		
Unit Dimensions (W x H x D)	77.8mm x 75mm x 191.1mm	
Shipping Dimensions (W x H x D)	145mm x 110mm x 248mm	
Unit Weight	0.71kg	
Shipping Weight	1.1kg	
Starting Temperature	0°C~ 50°C	
Working Temperature	-10°C~ 50°C	
Operating Humidity	0% ~ 90%	
Power Source	12VDC, 24VAC, PoE (IEEE802.3af class 2)	
Power Consumption	6W	
Approvals	FCC, CE (50130-4), KC	

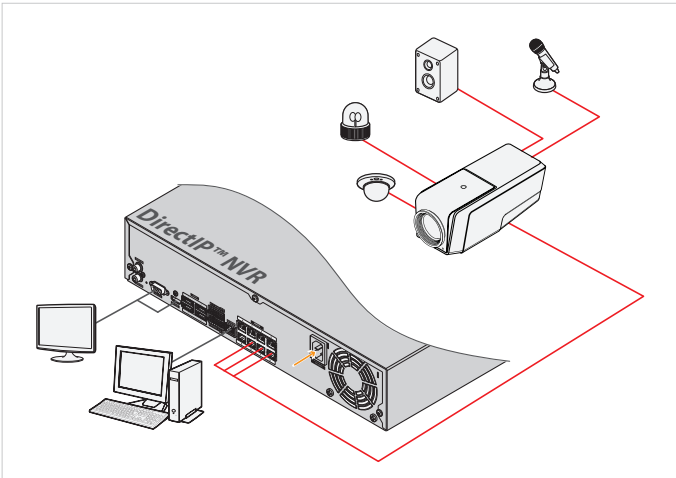
DC-Z1263



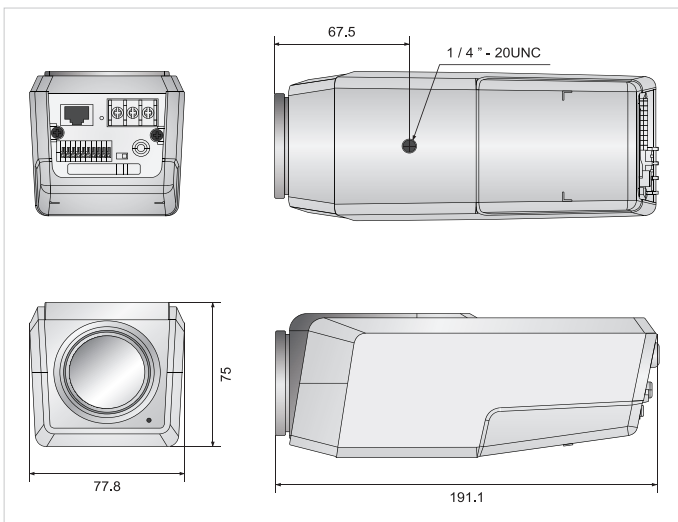
KEY FEATURES

- Easy installation with DirectIP™ NVR
- Supports 16:9 Full HD resolution
- 18X A/F optical zoom
- PoE (IEEE 802.3af Class 2)
- SD (HC)
- Two-way audio
- Alarm in / out
- Supports ONVIF™

CONNECTION DIAGRAM



DIMENSIONS



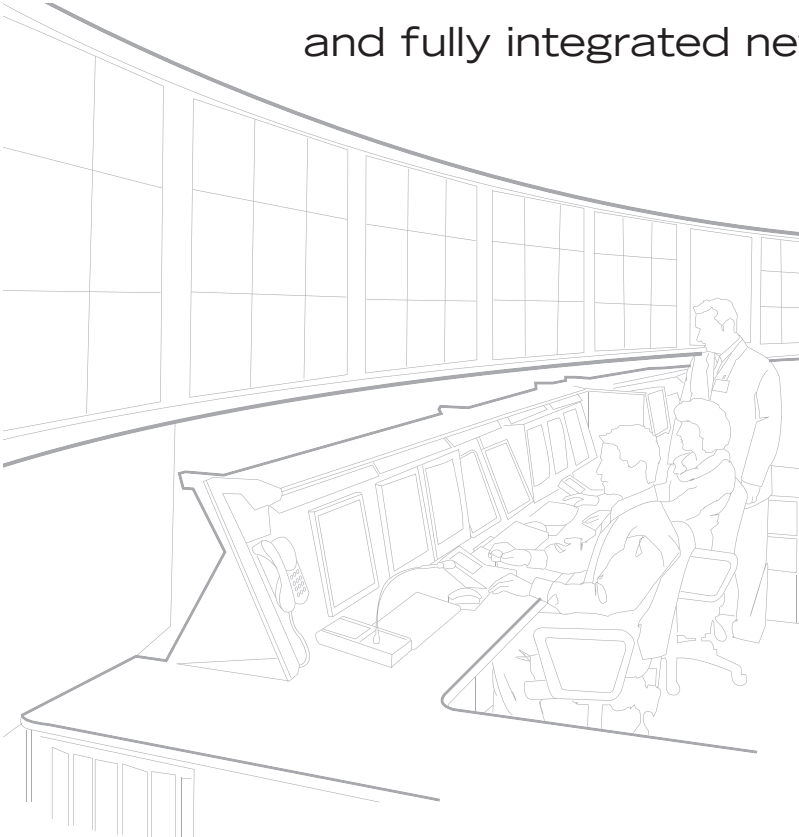
SPECIFICATIONS

VIDEO		
Max. Resolution	1920x1080	
Image Sensor	1/2.9" CMOS	
Scanning Mode	Progressive scan	
Lens	Vari-focal (f= 4.7 - 84.6mm, F1.6 - 2.8)	
Optical Zoom / AF	18X A/F Optical zoom	
IRIS	DC iris	
Viewing Angle	Wide : 58.5°(H), 33.5°(V), 64.9°(D) Tele : 4.1°(H), 2.4°(V), 4.7°(D)	
Min. Illumination (Colour, B/W)	Colour : 0.5 lux@F1.6 (30 IRE) , B/W : 0.5 lux@F1.6 (30 IRE)	
Min. object Distance	1.0m	
SNR	45dB	
Dynamic Range	70dB (90dB@digital WDR)	
Electronic Shutter Speed	Auto / Manual (1/30 ~ 1/8000), Anti-Flicker, Slow Shutter (1/7.5,1/15)	
True Day & Night	Yes (ICR)	
Video Quality Compensation	Auto Expose, Auto White Balance, Digital Noise Reduction Backlight Compensation	
Video Out	1 terminal block (NTSC/PAL Selectable)	
NETWORK		
	DirectIP™ Mode	Compatibility Mode
Video Compression	H.264 (MP), M-JPEG	
Bitrate Control	H.264 - CBR / VBR (Up to 12Mbps)	
Frame Rate	30ips@Full HD + 30ips@4CIF	
Audio Compression	G.726, G.711	
Two-way Audio	Yes	
Trigger Event	Motion detection, Alarm in, Audio detection, Tampering, Trip-zone	
Privacy Masking	Yes	
Event Buffering (Pre & Post)	Yes (Up to 60MB)	
Event Notification	Remote S/W, Email (With Image)	
IP Camera Protocol	DirectIP™ V1.0.0	IDIS V1.0.0 / ONVIF Profile S
Supports Resolutions	352x240, 640x360, 704x480 1280x720, 1920x1080	352x240, 704x480 1280x720, 1920x1080
Multi Streaming Video	Quadruple stream	Triple stream
Network Protocols	Zero configuration	RTP/RTSP/TCP RTP/RTSP/HTTP/TCP RTP/UDP RTSP/TCP HTTP, HTTPS, FTP, SNMP SMTP, FEN, mDNS, uPNP
Security	SSL Encryption	Multi-User Authority, IEEE 802.1x IP Filtering, HTTPS, SSL Encryption
Remote Access Client	DirectIP™ NVR connection	IDIS Discovery, IDIS Solution Suite Compact
INTERFACE		
Ethernet	RJ45 (10/100BASE-T)	
Audio In / Out	1 (Line in) / 1 (Line out)	
Alarm In / Out	1/1	
External Storage	SD (SDHC)	
GENERAL		
Unit Dimensions (W x H x D)	77.8mm x 75mm x 191.1mm	
Shipping Dimensions (W x H x D)	145mm x 110mm x 248mm	
Unit Weight	0.71kg	
Shipping Weight	1.1kg	
Starting Temperature	0°C~ 50°C	
Working Temperature	-10°C~ 50°C	
Operating Humidity	0% ~ 90%	
Power Source	12VDC, 24VAC, PoE (IEEE802.3af class 2)	
Power Consumption	6W	
Approvals	FCC, CE (50130-4), KC	

IDIS SOLUTION SUITE

ISS is highly scalable

and fully integrated network video surveillance solution.



The IDIS Solution Suite (ISS) is a highly scalable and fully integrated network video surveillance management solution.

ISS is suitable for both large enterprise customers as well as smaller surveillance operations for home-security and small business. ISS Compact provides an intuitive GUI for the installer unfamiliar with IT networks and the powerful recording features are available without license fees.

ISS Expert provides a general-purpose network video recording application that will satisfy a wide range of customer requirements without complicated licensing structures. ISS Expert is the perfect solution for project-based surveillance rollouts as it is optionally integrates and transforms to exact customer requirements. Born out of IDIS's deep understanding of the surveillance market and a huge range of customer applications, ISS Expert is exceptionally scalable and flexible. Using proven IDIS products including megapixel cameras and keyboards, the system is expandable to ensure a future proof surveillance solution.

KEY FEATURES (based on IDIS Solution Suite Expert)

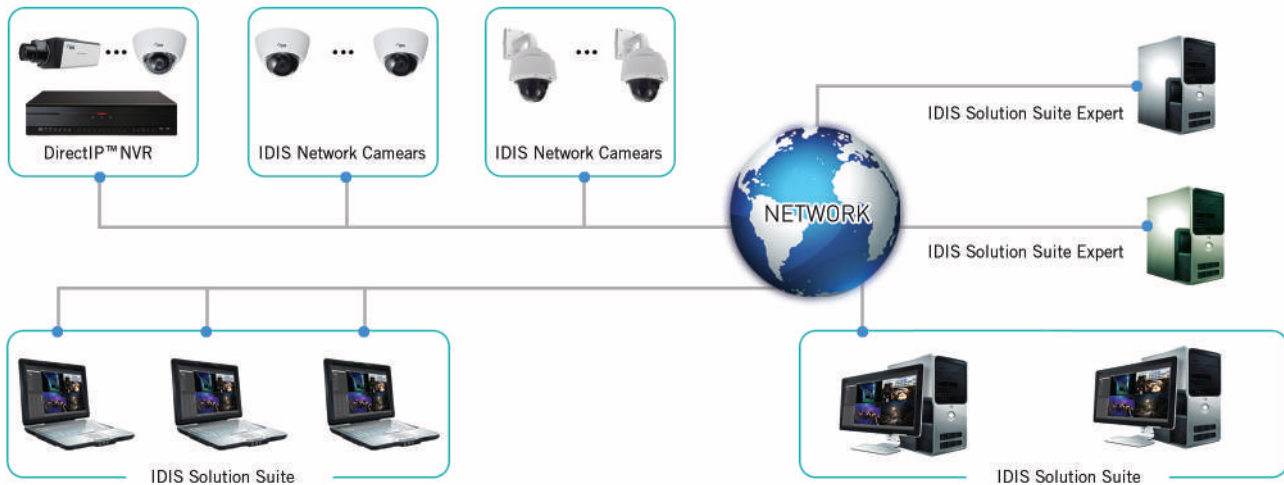
- Supports DirectIP™ NVRs, IDIS network cameras and third-party network cameras
- Centralised system operation, management and event handling
- Supports up to 64 simultaneous connections
- Map monitoring of live images
- Remote monitoring of live images in multiple client systems through a streaming service
- Stable streaming with multiple servers through a load balancing function during installation
- Remote software upgrades and multiple system setup
- Enhanced security enabled with different authorities for each user group
- Enhanced security using SSL functionality
- Two-way audio communication and audio broadcasting
- Control using a network keyboard
- Text-in and alarm function via TCP networking
- Supports multiple services such as federation, backup, video wall service.



SPECIFICATIONS

	ISS Compact	ISS Expert	ISS Expert Add on
INSTALLATION SITE			
Home Security	○		
Small Office	○	○	
Small to Medium Sized Solution		○	○
Enterprise Solution		○	○
SERVICE			
Administration Service	○	○	○
Recording Service	○	○	○
Monitoring Service	○	○	○
Streaming Service		○	○
Video Analytics Service		○	○
Backup Service			○
Federation Service			○
Video Wall Service			○
Redundancy Service			○
FEATURES			
Type of Deployment	Single server	Multi server integration	Multi server integration
Number of Connected Camera	32	1024	Unlimited
Number of Recording Camera	32	4,8,16,32,68,64,128,256	Unlimited
Licensing	Free	Wibukey (USB dongle)	Base wibukey + server authentication for each services
Supported Devices	IDIS network cameras	IDIS network cameras, NVR, third-party cameras	

NETWORK CONFIGURATION OF IDIS SOLUTION SUITE EXPERT

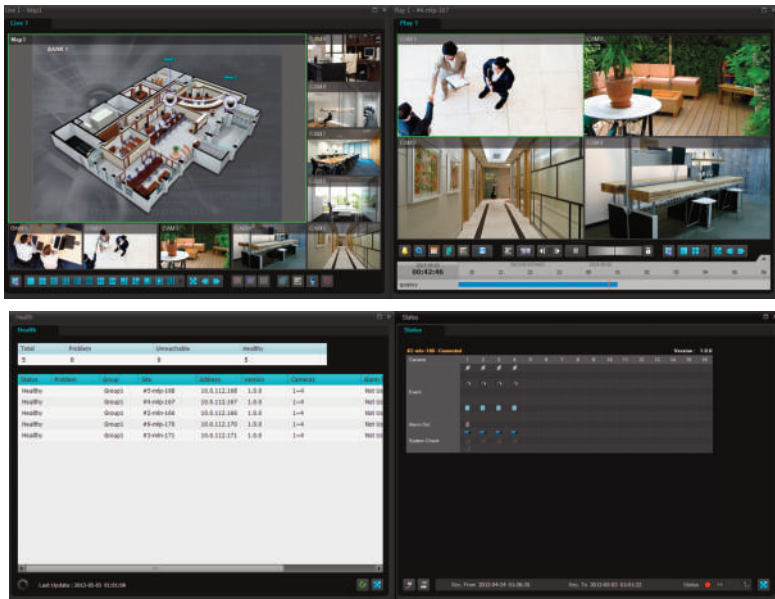


NETWORK CONFIGURATION OF IDIS SOLUTION SUITE COMPACT



IDIS CENTER

IDIS Center provides customers with plug-and-play management software to install and operate network cameras and network video recorders



IDIS Center is a central management software solution that supports live monitoring, video playback as well as advanced management tools including event monitoring, e-maps and condition monitoring of devices.

KEY FEATURES (based on IDIS Solution Suite Expert)

- Remote surveillance of live videos and remote playback of video recordings
- Real-time notification of detected events and remote monitoring of event videos
- Panic recording of live videos and playback of panic recordings
- Registration of up to 1,024 devices
- Remote software upgrade and system configuration
- Displays device's system logs
- Monitoring live e-map
- H.264, MPEG-4, M-JPEG restoration algorithm support
- SSL support for security
- Authority settings by user groups for security
- Intuitive and user-oriented GUI
- Supports Removable HDD(SD card) Play
- All live viewing, searches, e-maps and condition monitoring can be executed simultaneously by displaying distinctly different panels on four different monitors.



WEB CLIENT

IDIS WEB



IDIS Web is a program that allows you to view and search video from remote locations over the Internet and can be accessed on a regular web browser such as Internet Explorer. IDIS Web can be downloaded from web browsers in ActiveX format.

KEY FEATURES

- Supports 32 divided screen surveillance
- Controls PTZ, colour, alarm out feature
- Supports 32 divided screen playback
- Supports video back-up with IDIS Player, AVI, BMP
- Supports storage and print-out of current image on screen

CONNECTION METHOD

1. <http://IP Address: Port Number>

(NVR system's IP address and IDIS Web port number configured under Network > General (Default Value: 12088))

2. <http://fen.idisglobal.com/FEN Name>

(FEN Name: NVR name configured on the FEN server)

3. <http://web.idisglobal.com>

(will be prompted to enter NVR's IP address or FEN name registered to the FEN server upon login)

MOBILE CLIENT

IDIS MOBILE



You can access a remote NVR, monitor live video images and search recorded video using iPhone, iPad, Android phone and Android tablet PC anytime from virtually anywhere.

KEY FEATURES

- Supports Android, iOS
- Supports 16 divided screen surveillance
- Controls PTZ, colour, alarm out feature
- Supports playback recorded video
- Supports easy connection to dynamic IP device through FEN Service
- Supports Push Notifications

NETWORK ACCESSORIES

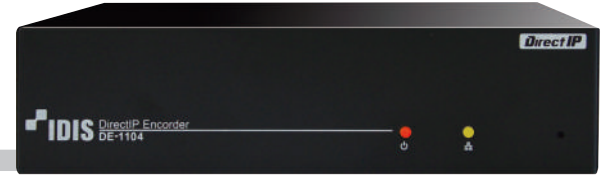


Complete accessory line up that compliments the IDIS IP surveillance system

By providing various DirectIP™ attachments and accessories, customers can minimise expensive training requirements and save on installation time. Quick, convenient and affordable implementation of DirectIP™ based network surveillance solutions is enabled through the range of network attachments and accessories including PoE injectors, IP to fiber optic converters, SFP modules, eSATA storage devices, remote controllers and so on. With our video encoder, users can connect conventional analogue cameras to DirectIP™ NVRs. This enables the easy integration of existing analogue systems that are seen as one complete system, ensuring full flexibility for all types of applications.

DirectIP™ 4 Channel Encoder

DE-1104



KEY FEATURES

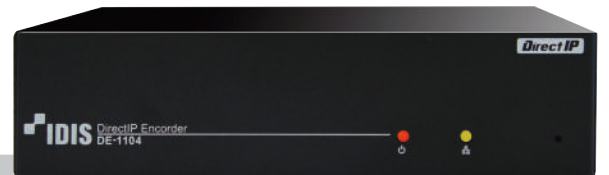
- Specialised in DirectIP™ NVR
- Supports PTZ with RS485 port
- Supports 4 audio input ports
- Supports quadruple stream
- Supports 4 analogue camera input ports

SPECIFICATIONS

ENCODER	
Video Compression	H.264
Video Input	4 BNC Composite
Max Video Resolution	704 x 480 (NTSC), 704 x 576 (PAL), 960 x 480 (*TBA)
Frame Rate	30ips@4CIF + 30ips@4CIF
Multi Streaming Video	Quadruple stream
Max.network Throughput	36Mbps
Audio In / Out	4 / -
PTZ Support	Yes (RS485)
Trigger Events	Motion detection, Video loss, Audio detection
DirectIP Supported	Yes
GENERAL	
Dimension (W x H x D)	166mm x 44mm x 145.3mm
Shipping Dimensions (W x H x D)	
Unit Weight	0.7kg
Shipping Weight	
Power Input	12VDC, PoE (IEEE802.3af class 3)
Approvals	FCC ,CE

DirectIP™ 8 Channel Encoder

DE-1108



KEY FEATURES

- Specialised in DirectIP™ NVR
- Supports PTZ with RS485 port
- Supports 4 audio input ports
- Supports quadruple stream
- Supports 8 analogue camera input ports

SPECIFICATIONS

ENCODER	
Video Compression	H.264
Video Input	8 BNC Composite
Max Video Resolution	704 x 480 (NTSC), 704 x 576 (PAL), 960 x 480 (*TBA)
Frame Rate	30ips@4CIF + 30ips@4CIF
Multi Streaming Video	Quadruple stream
Max.network Throughput	72Mbps
Audio In / Out	4 / no
PTZ Support	Yes (RS485)
Trigger Events	Motion detection, Video loss, Audio detection
DirectIP Supported	Yes
GENERAL	
Dimension (W x H x D)	166mm x 44mm x 145.3mm
Shipping Dimensions (W x H x D)	258mm x 103mm x 188mm
Unit Weight	0.7kg
Shipping Weight	3.0kg
Power Input	12VDC, PoE (IEEE802.3af class 3)
Approvals	FCC ,CE

DirectIP™ 12 Ports Gigabit PoE Switch

DH-2112PF



KEY FEATURES

- Individual port data transmission to DirectIP™ NVR
- PoE (IEEE 802.3af, IEEE 802.3at) compliant
- Maximum per-device PoE delivery of 152.4W available for 1~8 RJ45 ports
- Central power control for greater network utility
- Supports 10 RJ45 ports and 2 SFP slots

SPECIFICATIONS

SYSTEM	
CPU	24Gbps
System Memory	8 RJ45 Connectors (10/100/1000BASE-T)
Switching Capacity	24Gbps
CONNECTIVITY	
Copper Service Port	8 RJ45 Connectors (10/100/1000BASE-T)
Copper Uplink Port	2 RJ45 Connectors (10/100/1000BASE-T)
Optical Uplink Port	2 SFP Slot (1000BASE-X)
PoE POWER	
Supported Standards	IEEE 802.3af-2003 / IEEE 802.3at-2009
PD connection	Up to 8 IEEE 802.3af PDs or up to 4 IEEE 802.3at PDs
PSE Power Budget	150W
GENERAL	
Dimensions (W x H x D)	330mm x 44mm x 204mm
Weight	2.31kg
Operation Temperature	-20°C ~ 50°C
Power Input	AC100-240V, 50-60Hz, 2.1A
Power Consumption	183W
Approvals	FCC, CE, KC

DirectIP™ 28 Ports Gigabit PoE Switch

DH-2128PF



KEY FEATURES

- Individual port data transmission to DirectIP™ NVR
- PoE (IEEE 802.3af, IEEE 802.3at) compliant
- Maximum per-device PoE delivery of 390W available for 1~24 RJ45 ports
- Central power control for greater network utility
- Supports 26 RJ45 ports and 2 SFP slots

SPECIFICATIONS

SYSTEM	
CPU	56Gbps
System Memory	24 RJ45 Connectors (10/100/1000BASE-T)
Switching Capacity	56Gbps
CONNECTIVITY	
Copper Service Port	24 RJ45 Connectors (10/100/1000BASE-T)
Copper Uplink Port	2 RJ45 Connectors (10/100/1000BASE-T)
Optical Uplink Port	2 SFP Slot (1000BASE-X)
PoE POWER	
Supported Standards	IEEE 802.3af-2003 / IEEE 802.3at-2009
PD connection	Up to 24 IEEE 802.3af PDs or Up to 13 IEEE 802.3at PDs
PSE Power Budget	400W
GENERAL	
Dimensions (W x H x D)	440mm x 44mm x 220mm
Weight	3.13kg
Operation Temperature	-20°C ~ 50°C
Power Input	AC100-240V, 50-60Hz, 4.8A
Power Consumption	420.7W
Approvals	FCC, CE, KC

Network Keyboard

NK-1100



KEY FEATURES

- Remote control of NVRs, DVRs, network video transmitters, network video receivers and network cameras via network connection
- Control of NVRs by using a USB mouse via network connection
- Two-way audio communication
- Convenient firmware upgrades via either the USB port or ethernet
- Firmware duplication and auto-recovery functions to enhance system stability
- Management of multiple network keyboards via network connection
- Programmable by using the LCD screen

SPECIFICATIONS

COMMUNICATION	
Interface	RS485(Terminal block), Ethernet(RJ45)
Baud Rate	300 bps ~ 115,200bps
Supports Protocols	Over 70 sorts of PTZ protocol (IDIS, PANASONIC, PELCO, SAUMSUNG, etc.)
Supports Devices	IP Camera, INEX, NVR, IDIS Solution Suite
Display	LCD(2 Line)
USB	1 port
Audio in/out	1(3.5mm) / 1(3.5mm)
Component	Joystick + Main Control Board
S/W Upgrade	USB, Network
SETUP Program	IDIS Discovery
GENERAL	
Dimension (W x H x D)	376.9mm x 95mm x 177.6mm
Unit Weight	1.095kg
Power Input	DC 5V, 3A
Approvals	FCC, CE, KC

eSATA Storage

DA-ES1104



KEY FEATURES

- 19 inch rack-mount type
- Best combination with DirectIP™ NVR
- Supports RAID Levels 0,1+0,5
- SATA to SATA Port Multiplier
- Maximum of 3.0Gbps transfer rate (SATA II)
- Installation of the maximum of four hard disk drives
- Maximised space saving and capacity relative to cost
- Easy expansibility to a very large storage pool

SPECIFICATIONS

HARDWARE	
Interface	eSATA x 1
Number of Drives	SATA II x 4
Drive Size	3.5"
Drive Type	SATA II
PERFORMANCE	
Type and Rate	SATA II(3Gbps)
RAID	0,1+0,5
Max Drive Capacity	12TB(up to 3TB per bay)
GENERAL	
Dimensions (W x H x D)	482mm x 44mm x 433mm
Weight	6.4kg
Operation Temperature	5°C ~ 45°C
Power Input	100V ~ 240VAC, 0.6-0.3A, 50/60Hz
Power Consumption	Max. 40W
Approvals	FCC,CE

Single Port PoE Injector

DA-PI1101



KEY FEATURES

- Up to 30W of PoE Power feeding on 2-pairs
- Compatible with IEEE 802.3af, IEEE 802.3at
- Protects low power devices to receive only the power they need
- Automatic detection and protection of non-standard ethernet terminals
- Parallel slide-in design for easy installation

SPECIFICATIONS

RJ45 ETHERNET INTERFACE_DATA In	
port	1 channel
Connectivity	RJ45, Auto-MDI/MDI-X sensing
Wire Type	CAT5 or better
Distance	Up to 100m
Speed	10/100/1000 BASE T
RJ45 ETHERNET INTERFACE_PoE	
port	1 channel
Pin Assignment and Polarity	1,2(+), 3,6(-)
PSE Power	52V DC, Max. 30W
Distance	Up to 100m
Speed	10/100/1000 BASE-T
Supported Standards	IEEE 802.3af-2003 / IEEE 802.3at-2009
GENERAL	
Dimensions (W x H x D)	87.9mm x 51.3mm x 166mm
Weight	350g
Operation Temperature	-15°C ~ 45°C
Power Input	100 ~240V AC, 0.8A
Approvals	FCC, CE, KC

Ethernet over Coax Transceiver

DA-EC1100



KEY FEATURES

- Makes it possible to install Full HD network cameras using existing coaxial cables.
- Two-way communication allows use of the product as a transmitter or a receiver.
- Supports PoE (IEEE 802.3af, IEEE 802.3at)
- Supports plug and play without setting up special IP addresses.

SPECIFICATIONS

RJ45 ETHERNET INTERFACE	
Connectivity	RJ45, Auto-MDI / MDI-X sensing
Wire Type	CAT5 or better
Distance	Up to 100m
Speed	10/100 Base-T, half/full Duplex
Latency	3ms
Data Throughput	85Mbps
COAX BUILDING WIRING INTERFACE	
Connectivity	BNC, RG-59/U or similar
Impedance	25 to 100 Ω
Distance	Up to 800m
GENERAL	
Dimensions (W x H x D)	33mm x 38mm x 131mm
Weight	145g
Operation Temperature	-40°C ~ 85°C
Power Input	48V DC
Power Consumption	60W
Approvals	FCC, CE, KC

Gigabit Fiber Optic Media Converter

DA-MC1101



KEY FEATURES

- Supports automatic negotiation feature
- Supports automatic MDI / MDI-X detection
- Supports LED status indicators
- Mode switching using DIP switches

SPECIFICATIONS

RJ45 ETHERNET INTERFACE	
Connectivity	RJ45, Auto-MDI / MDI-X sensing
Wire Type	CAT5 or better
Distance	Up to 100m
Speed	10/100/1000 Base-T
SFP SLOT INTERFACE	
Connectivity	SFP slot
Wire Type	Fiber optic
Speed	1000BASE-LX, 1000BASE-SX
GENERAL	
Dimensions(W x H x D)	71mm x 26mm x 94mm
Weight	160g
Operation Temperature	0°C ~ 50°C
Power Input	5V DC 1.6A
Power Consumption	3.4W
Approvals	FCC, CE, KC

SFP Transceiver

FTLF1318P3BTL FTLF8519P3BNL



KEY FEATURES

FTLF1318P3BTL

- Up to 10 km on 9/125µm SMF
- Up to 1.25Gb/s bi-directional data links
- Hot-pluggable SFP footprint
- 1310nm Fabry-Perot laser transmitter
- Compatibility with DH Series and DA-MC1101






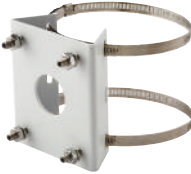

FTLF8519P3BNL






- Up to 500m on 50/125µm MMF, 300m on 62.5/125µm MMF
- Up to 2.125 Gb/s bi-directional data links
- Hot-pluggable SFP footprint
- 850nm Oxide VCSEL laser transmitter
- Compatibility with DH Series and DA-MC1101

SPECIFICATIONS

FTLF1318P3BTL	
Optical Center Wavelength	1265 to 1600 nm
Output Opt. Power	-9.5 to -3 dBm
Average RX Sensitivity@1.25Gb/s	-19
Data Rate	1.062 Gb/s to 1.25 Gb/s
FTLF8519P3BNL	
Optical Center Wavelength	830 to 860 nm
Output Opt. Power	-9 to -2.5 dBm
Average RX Sensitivity@2.125Gb/s	-17
Data Rate	1.062Gb/s, 1.25Gb/s, 2.125Gbps
GENERAL	
Dimensions (W x H x D)	13.7mm x 12.4mm x 56.6mm
Weight	17.5g
Operation Temperature	0°C ~ 85°C
Approvals	FCC, CE, KC

CAMERA MOUNTS

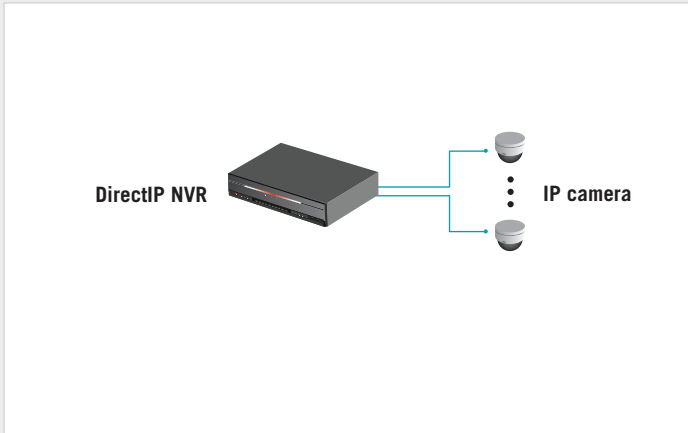
Type	Model	Image	Dimension(mm)	Relevant Models
Wall Mount	DA-WM1100		281.2(L) x142(W) x 190(H)	DC-D Series
	DA-WM1200		237.5(L) x180(W) x 123.5(H)	DC-D Series
	DA-WM1300		268.5(L) x180(W) x 157(H)	DC-D Series
	DA-WM1400		279(L) x116(W) x 140(H)	DC-S Series
	DA-WM1500		300(L) x80(W) x 133.2(H)	DC-B Series DC-Z Series
Pole Mount	DA-LM1100		156(L) x136(W) x 50(H)	DA-WM Series DA-CM Series
Corner Mount	DA-RM1100		343(L) x140(W) x 196(H)	DA-WM Series DA-CM Series

Type	Model	Image	Dimension(mm)	Relevant Models
Ceiling Mount	DA-CM1100		ø142 x 344(L)	DC-D Series
	DA-CM1200		ø180 x 551(L)	DC-D Series
	DA-CM1300		390(L) x 140(W) x 116(H)	DC-S Series
	DA-CM1400		275(L) x 145(W) x 88(H)	DC-S Series
Parapet Mount	DA-PM1100		745(L) x 380(W) x 1006(H)	DC-S Series
Stand Mount	DA-SM1100		ø57 x 95(H)	DC-B Series DC-Z Series
Box Housing	DA-BH1100		438.1(L) x 147.2(W) x 107.3(H)	DC-B Series DC-Z Series

APPLICATIONS

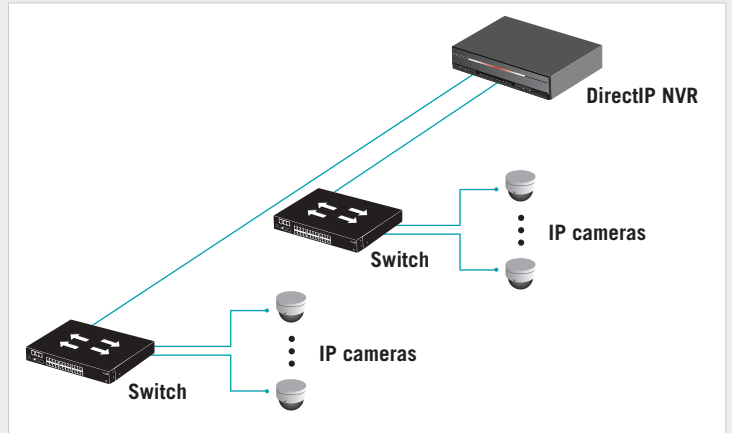
Small business installation

- Easy to install
- HD surveillance
- Affordable video solution



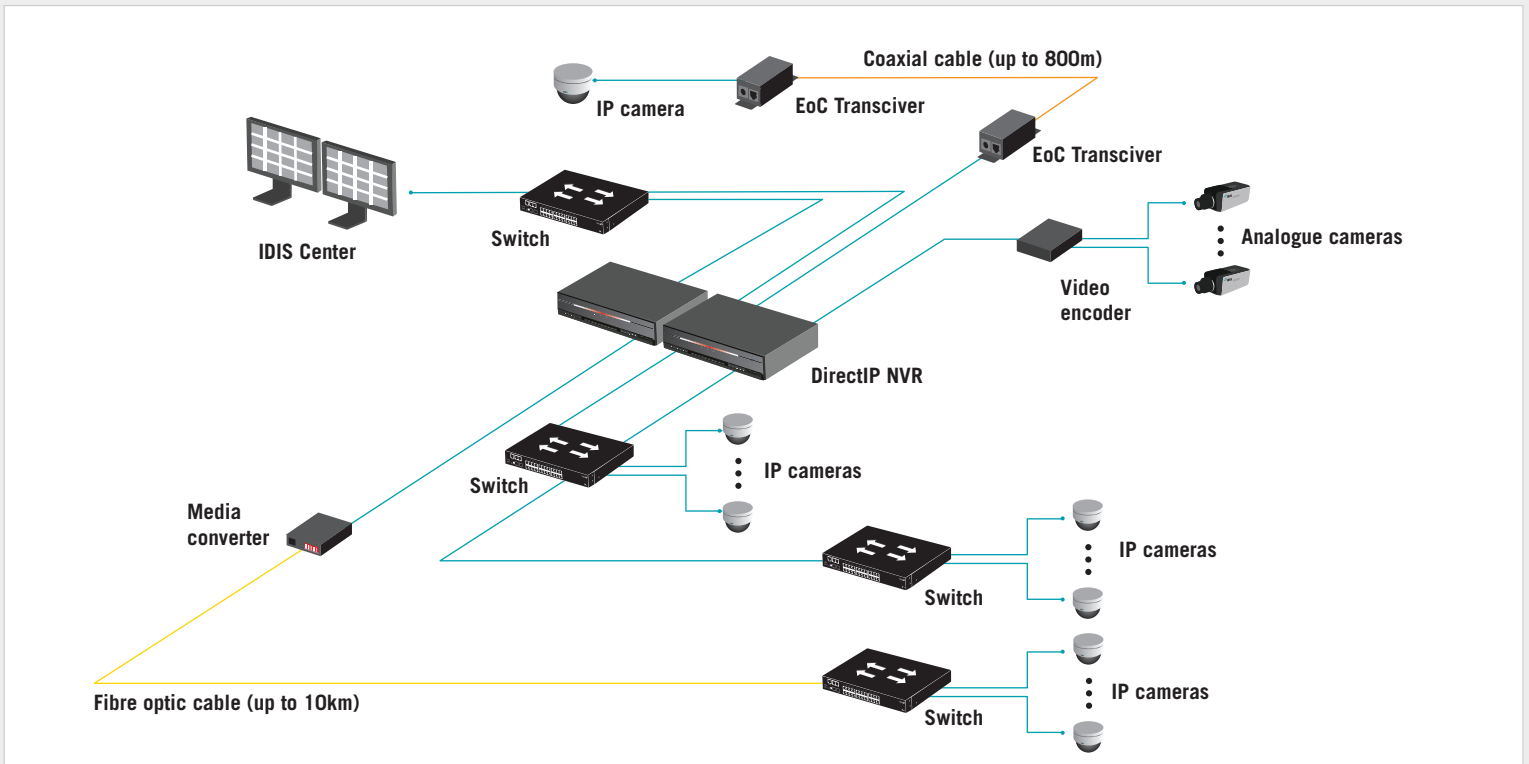
Medium business installation

- High performance
- Scalability with DirectIP™ Gigabit PoE Switch
- Cost effective
- One-stop-shop solution

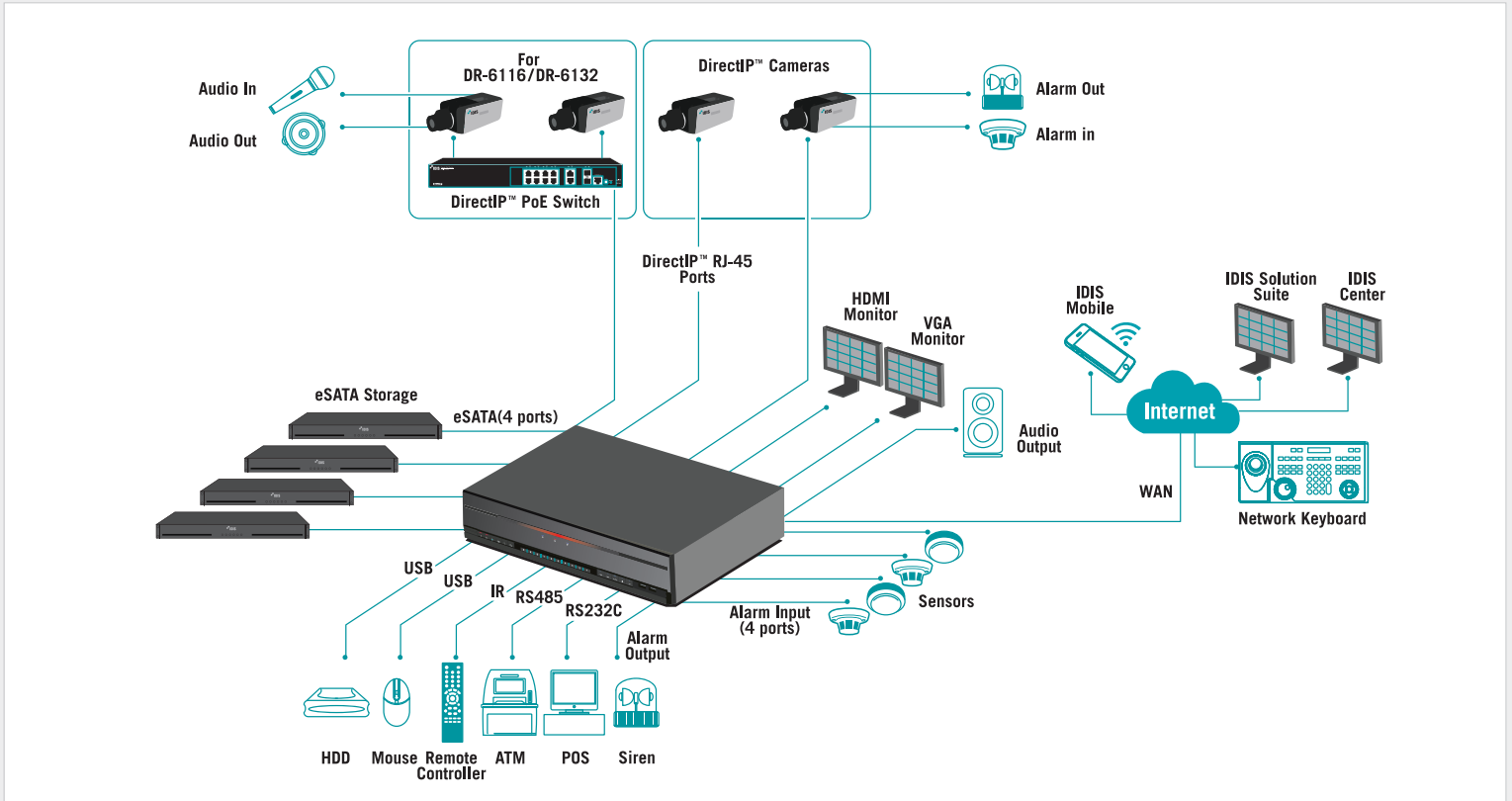


Large enterprise installation

- Scalability with rich connectivity
- Flexibility enabling legacy and third party system integration
- Simple integration with IDIS Center



DR-6100 series NVR connection diagram



DirectIP™ product lineup

Network Video Recorders



DR-2100 Series



DR-4100 Series



DR-6100 Series

Network IP Cameras



Box type (DC-B Series)



Zoom type (DC-Z Series)



Dome type (DC-D Series)



Speed dome type (DC-S Series)



Bullet type (DC-T Series)

Video Management Software



IDIS Solution Suite Expert



IDIS Center



IDIS Mobile



IDIS Web

Accessories



DirectIP™ Gigabit PoE Switch



Network Keyboard



eSATA Storage



Ethernet over Coax Transceiver



Optical Media Converter



PoE Injector



SFP Module



Excellence in Surveillance

IDIS Co., Ltd.

IDIS Tower 688-1, Sampyeong-dong,
Bundang-gu, Seongnamsi, Gyeonggi-do
Korea 463-400

T +82 (0)31 723 5400
F +82 (0)31 723 5100
E sales@idisglobal.com

IDIS Europe Limited

1000 Great West Road
Brentford, London, TW8 9HH
United Kingdom

T +44 (0)203 657 5678
E uksales@idisglobal.com

IDIS Benelux BV

De Slof 9
5107 RH
Dongen
The Netherlands

T +31 (0)162 387247
F +31 (0)162 311915
E sales@bnl.idisglobal.com

For more information, please visit
www.idisglobal.com